

INSTRUCTION SHEET



KEPCO POWER ASSEMBLY COMPONENTS

RACK ADAPTER

RA 47

DESCRIPTION (Refer to FIG. 1)

The Kepco Model RA 47 RACK ADAPTER is designed for the installation of Kepco Power Assemblies into a standard 19-inch (482.6 mm) rack. The Rack Adapter occupies 8.75 inches (222.25 mm) of vertical space in the standard 19-inch equipment rack and is 24-inches (609.60 mm) deep. The Rack Adapter may be supplied with either optional vented or non-vented Filler Panels, Front and Rear, 1/2 Rack or Full Rack. See chart below for options available.

Without customer preference, the front and back Full Rack vented option, is to be selected.

Regarding the 1/2 Rack option, the following combinations are available; both solid, both vented or solid and vented

The Rack Adapter is equipped with bracket spacers for equipment slides (shim bars), four rubber feet attachments, a removable cover with twelve mounting screws, Rack Adapter handles and Mounting Ears. The Rack Adapter can use a 24 inch (609.6 mm) model or a 22 inch (558.8 mm) model Jonathan slides. Both models must be modified by adding four 0.204 inch (5.18 mm) holes "A" (see side view of Mechanical Outline Drawing) to the chassis member. It was developed to provide mounting space for a multitude of Kepco's linear and switching power supplies. The Rack Adapter may be equipped with a variety of front and rear panel components to form a complete rack mounted power assembly, designed by the user.

Details about all available power supplies, panel components and accessories to be used with RA 47 Rack Adapter may be found in Kepco's Power Supplies Manual, "Power Assemblies" Section. It is available from your Kepco Representative, or directly from Kepco, Inc., 131-38 Sanford Avenue, Flushing, N.Y. 11352, USA.

Mechanical dimensions, material and finish of the Kepco Model RA 47 Rack Adapter are provided in Figure 2.

MODEL	DESCRIPTION	
FFP-4A47	FRONT PANEL	1/2 RACK, VENTED
FFP-4B47	FRONT PANEL	1/2 RACK, SOLID
FFP-8A47	FRONT PANEL	FULL RACK, VENTED
FFP-8B47	FRONT PANEL	FULL RACK, SOLID
RFP-4A47	REAR PANEL	1/2 RACK, VENTED
RFP-4B47	REAR PANEL	1/2 RACK, SOLID
RFP-8A47	REAR PANEL	FULL RACK, VENTED
RFP-8B47	REAR PANEL	FULL RACK, SOLID

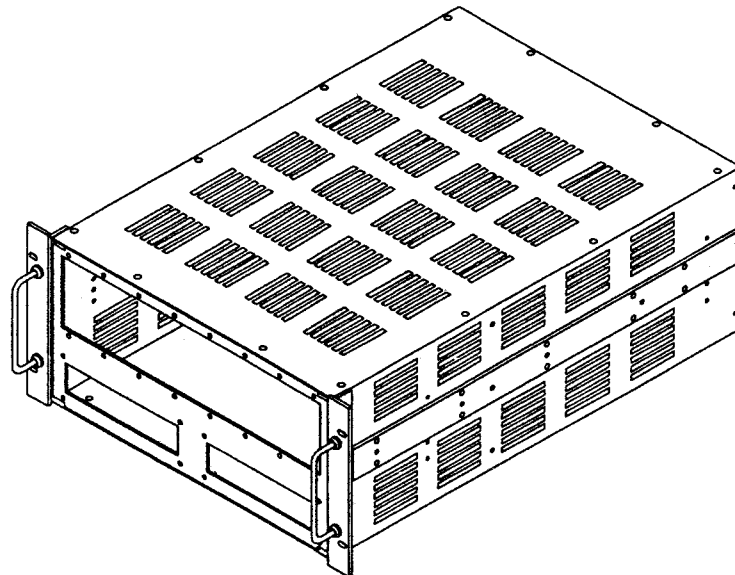
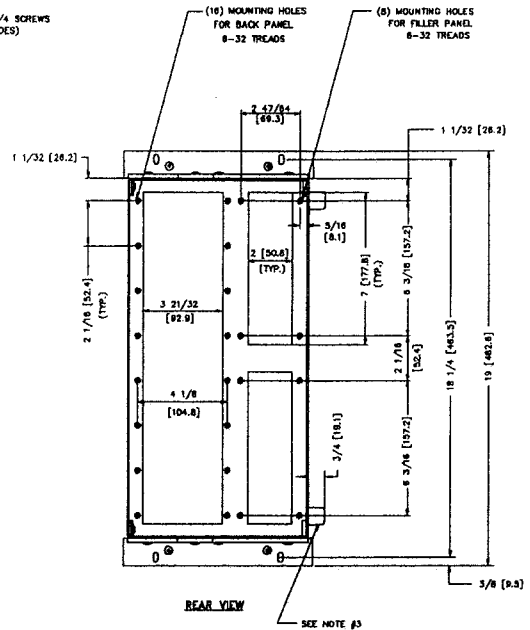
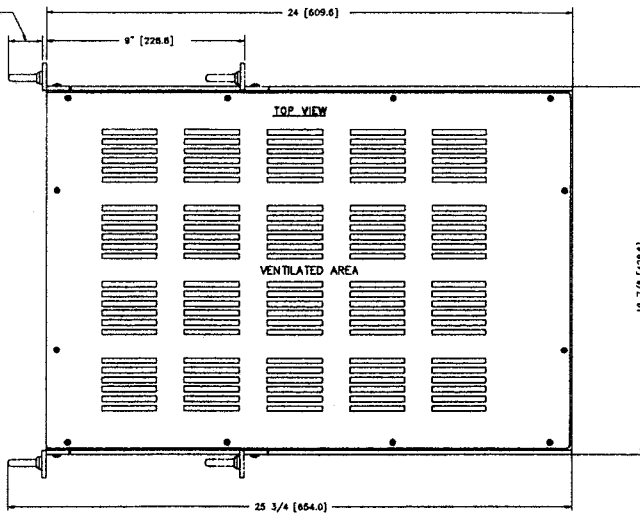
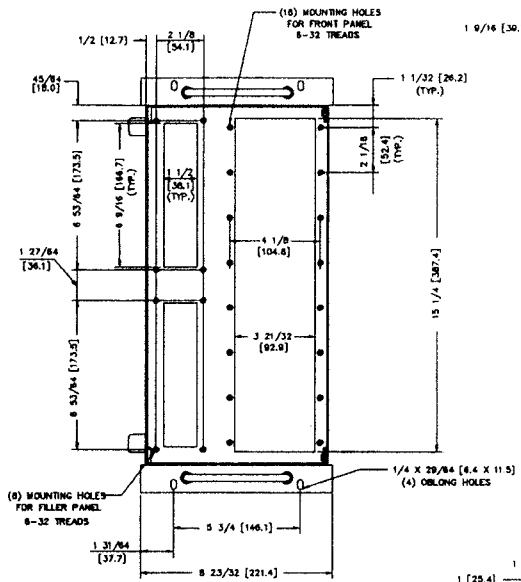
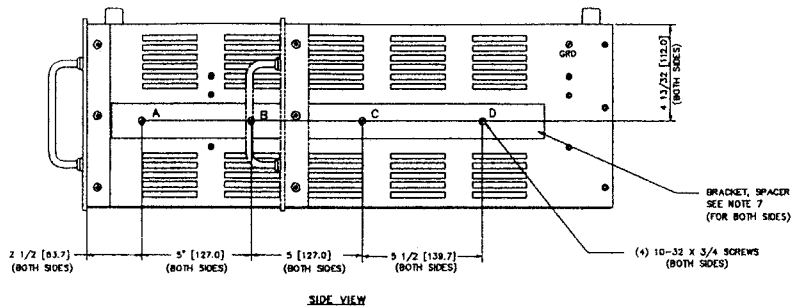


FIGURE 1 KEPCO MODEL RA 47 RACK ADAPTER



- NOTES:
- MATERIAL:
 - A) CHASSIS: 0.090 THK ALUM 5052-H32
 - B) COVER: 0.063 THK ALUM 5052-H32
 - C) ANGLE BKT: 0.187 THK ALUM 8063-T5
 - D) BKT. SPACER: 0.187 THK ALUM 8063-T5
 - FINISH:
 - A) BKT. SPACER, CHASSIS & COVER: YELLOW PRIME MIL-C-5514A
 - B) ANGLE BKT: LIGHT GRAY PER FEDERAL STD. 595, COLOR NO. 28440
 - RACK OR CABINET MOUNTING: REMOVE (4) ALUMINUM FEET.
 - IF INSTALLATION WITHOUT SLIDES IS DESIRED, THE UNIT MUST BE SUPPORTED BY A RIGID PLATFORM.
 - DIMENSIONS IN PARENTHESES ARE IN MILLIMETERS.
 - TOLERANCES:
 - A) BETWEEN MOUNTING HOLES ±1/64 (±0.4).
 - B) ALL OTHER DIMENSIONS: ±1/32 (±0.8) EXCEPT AS NOTED.
 - TWO JONATHAN SLIDE MODELS CAN BE USED WITH THE RA 47 BACK ADAPTER, A 24 INCH SLIDE (MODEL 110-00-22-2) AND A 24 INCH SLIDE (MODEL 110-00-24-2). FOR MOUNTING BOTH SLIDE MODELS, USE SAME FOUR SCREWS (LOCATION A,B,C,D IN SIDE VIEW) ALONG WITH EXISTING BRACKET SPACERS. THE CHASSIS SECTION OF THE SLIDE MUST BE MODIFIED BY ADDING FOUR HOLES, 0.204 DIA., AS MARKED "B" (SEE DETAIL), FOR BOTH INDICATED MODELS.

