

KEPCO MODEL PC-4 MATING CONNECTOR

DESCRIPTION. The Kepco Model PC-4 is a 24-terminal connector equipped with cable shell, cable clamp and locking screws. The PC-4 is designed to provide the correct termination for Kepco equipment with dual edge printed circuit rear connectors.

INSTALLATION (Refer to FIG. 1)

- 1) Disassemble the connector insert and the connector shell by removing the two mounting screws (A, B).
- 2) Wire the connector terminals and insert the plastic "key" into the correct position according to the information provided in your Kepco Instruction Manual.
- 3) Reassemble the connector insert and the connector shell according to the Kepco model on which the PC-4 is to be used. (See notes in FIG. 1.)

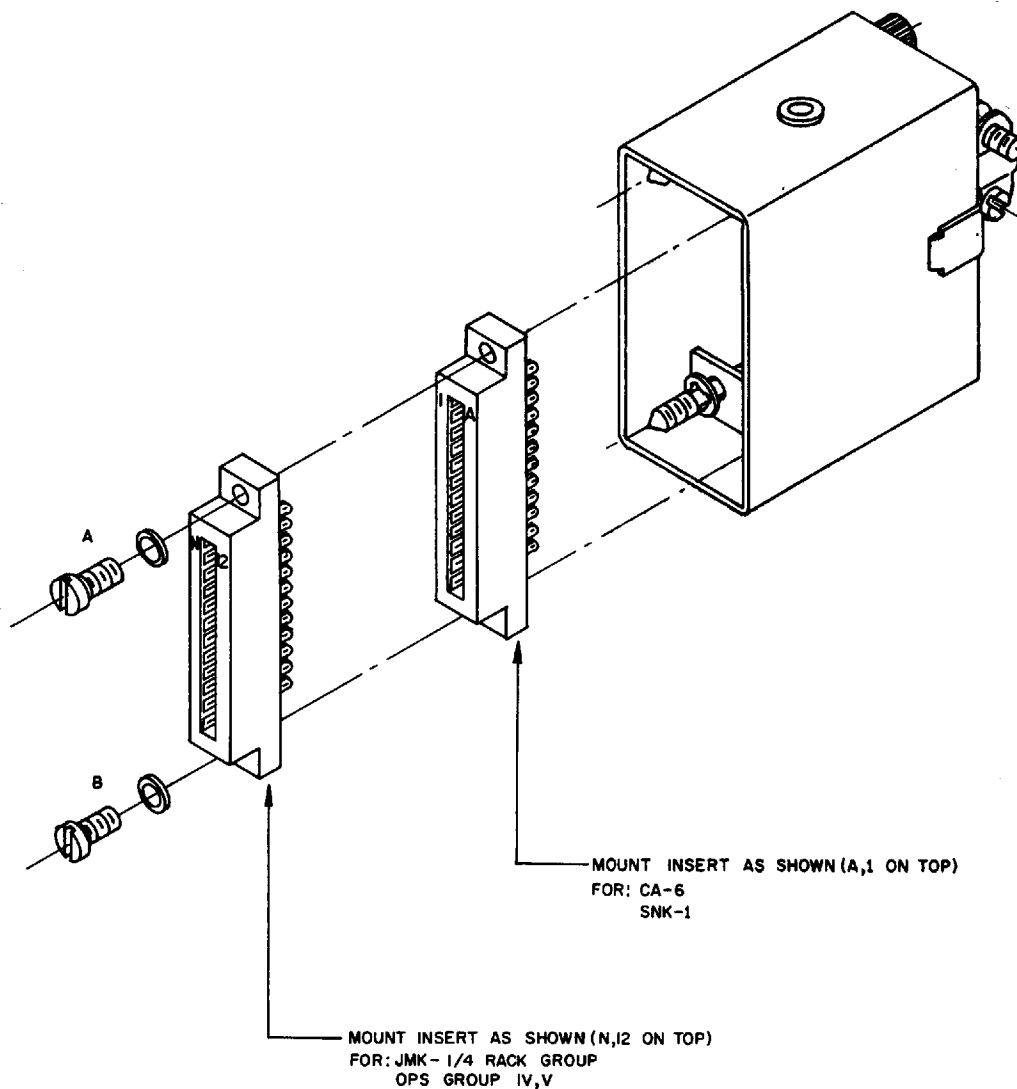


FIG. 1 INSTALLATION OF THE PC-4 MATING CONNECTOR.