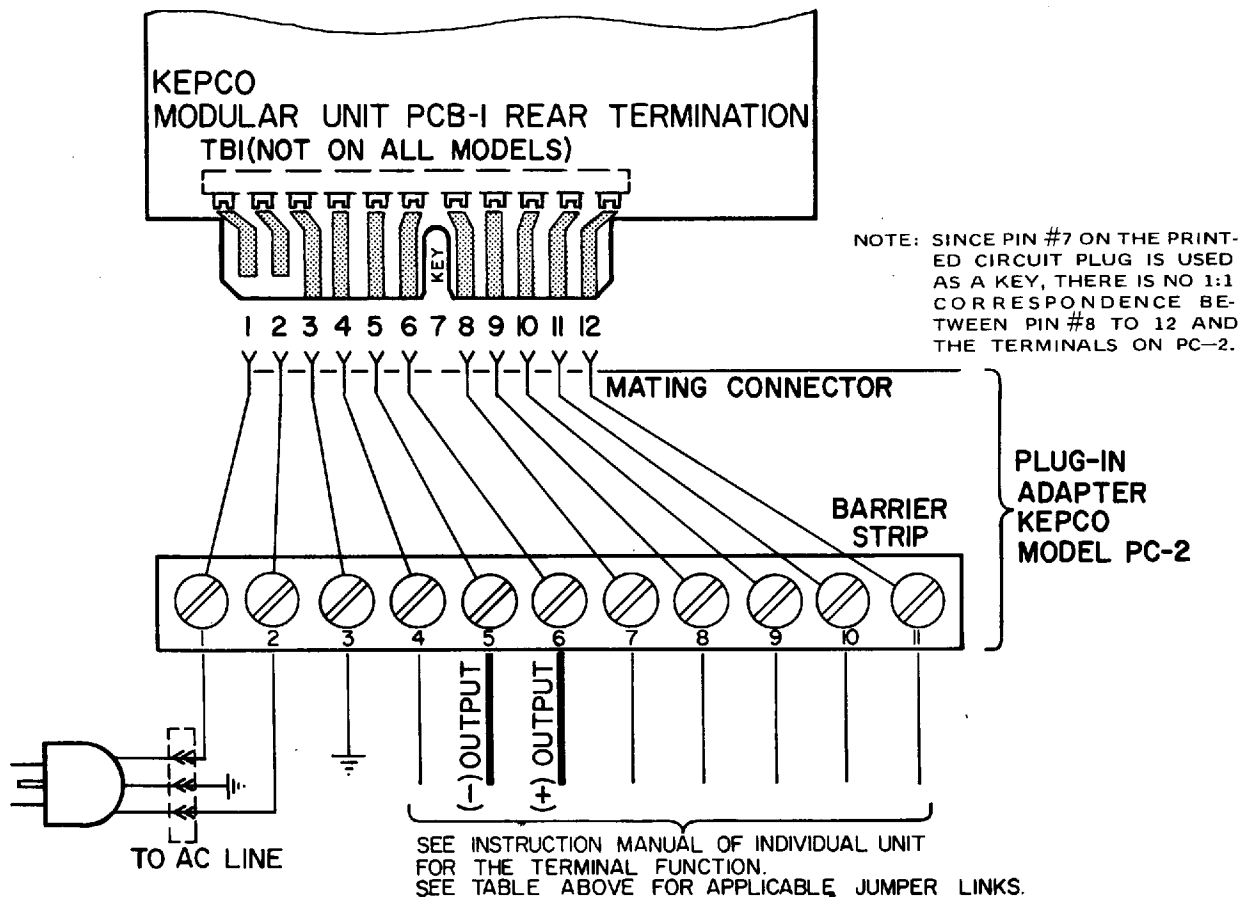


KEPCO MODEL PC-2 PLUG-IN ADAPTER

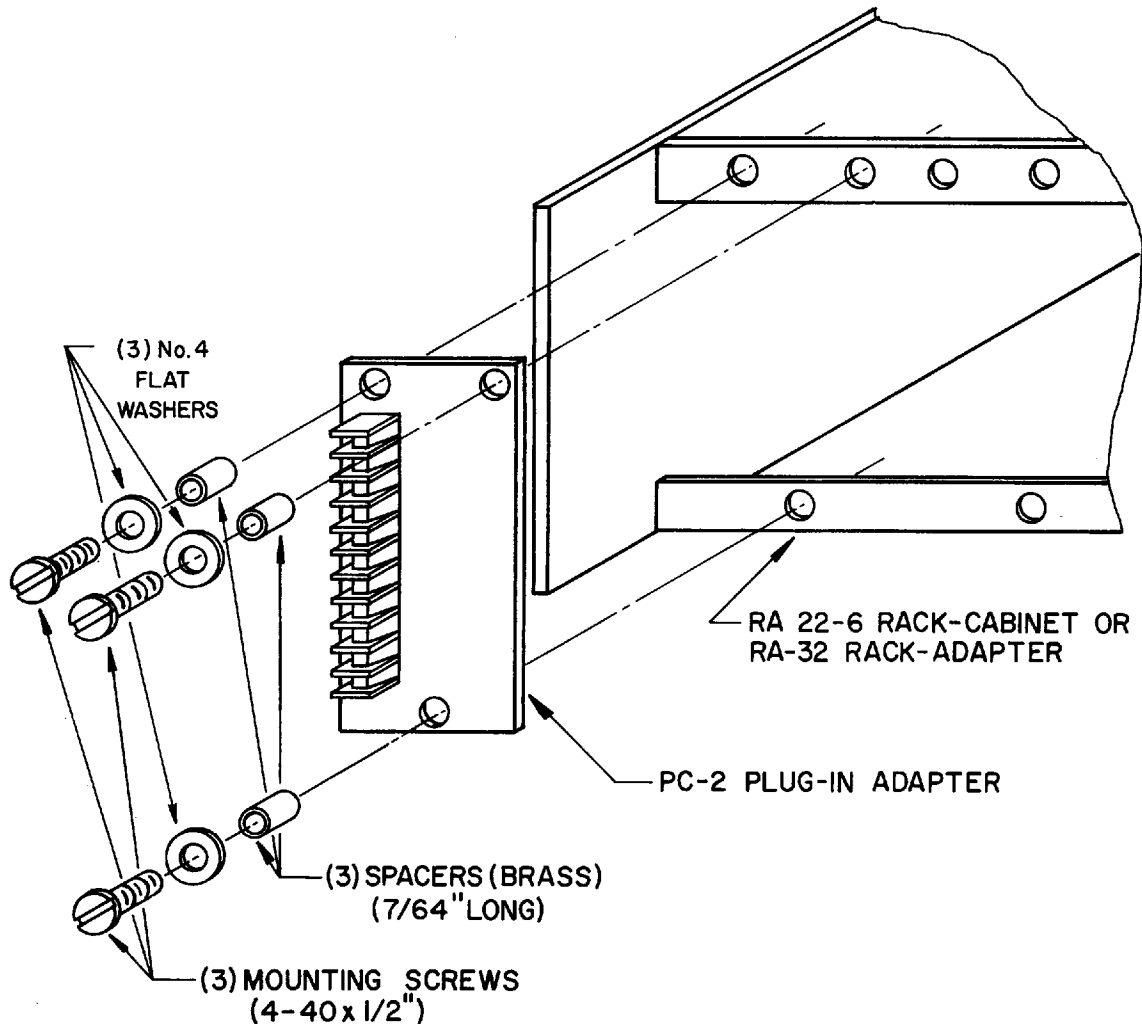
DESCRIPTION. The Kepco Model PC-2 Plug-In Adapter is designed to provide the correct terminations for Kepco modular equipment, mounted into the Kepco Model RA 22-6 Rack Cabinet, or into the Kepco Model RA-32 Rack Adapter. The Model PC-2 adapter consists of a printed circuit card which contains the mating connector for the modular unit and a barrier-strip with (11) terminals. Once the modular unit is plugged into the PC-2, its input/output connections are transferred to the barrier-strip. NOTE: The barrier-strip is equipped with removable jumper links: THESE LINKS MUST BE PLACED ACCORDING TO THE MODULAR UNIT USED WITH THE ADAPTER. The table below shows the required jumper connections for all applicable modular units. ON MODULAR UNITS EQUIPPED WITH MINIATURE BARRIER-STRIPS, THE JUMPER LINKS ON THESE MINIATURE BARRIER-STRIPS MUST BE COMPLETELY REMOVED, BEFORE THE UNIT IS INSTALLED.

MODULAR UNIT KEPCO DESIGN GROUP	JUMPER LINKS ON PC-2:
PAX, PBX, PBX-MAT, PCX	(4)-(5), (6)-(7), (10)-(11)
OPS	(4)-(5), (6)-(7)
OPS-TA	DO NOT CONNECT ANY LINKS
OPS-B (GROUP I)	(6)-(7)-(8)
OPS-BTA (GROUP II)	(7)-(8)
CC-M	(8)-(9), (10)-(11)
PCX-MAT	(4)-(5), (6)-(7), (8)-(9), (10)-(11)

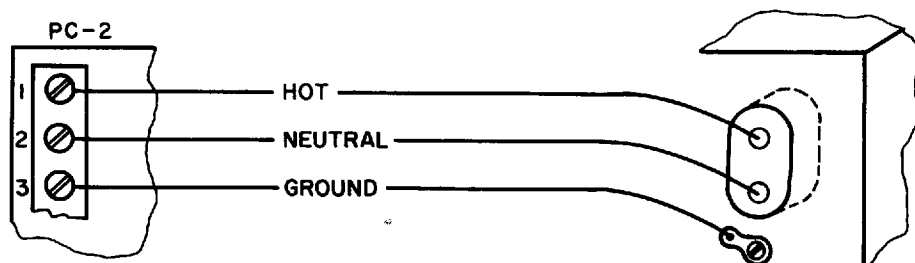


SCHEMATIC DIAGRAM, PC-2 ADAPTER.

INSTALLATION INSTRUCTIONS



- 1) Remove Rear Cover from Rack Cabinet RA 22-6. (Not applicable for RA-32.)
- 2) Remove contents of polyethylene bag and line up adapter with the mounting holes of the RA-32 or RA 22-6 as shown.
- 3) Remove mounting screws and spacers from smaller polyethylene bag and mount adapter as shown in the diagram. **DO NOT TIGHTEN MOUNTING SCREWS AT THIS TIME.**
- 4) Insert modular unit into slot from the front side of the RA-32 or RA 22-6 until it is firmly seated in the mating plug of the rear adapter.
- 5) Now tighten all three mounting screws. Attach jumper links as directed for the modular unit applicable (see schematic diagram of PC-2).
- 6) Complete the a-c wiring from the a-c socket in the rear cover of the Rack Cabinet to terminals (1), (2), and (3) of each PC-2 as shown below. (Not applicable to RA-32. PC-2 terminals (1), (2), and (3) must be *directly* wired to the a-c input source.)



A-C WIRING OF PC-2 RACK CABINET (NOT APPLICABLE TO MODEL RA-32 RACK ADAPTER).

- 7) Replace rear cover of Rack Cabinet (RA 22-6 only).