

KEPCO MODEL PC-14 MATING CONNECTOR (WIRED, FOR ATE 1/2, 3/4 AND FULL RACK MODELS)

DESCRIPTION: The Kepco Model PC-14 is a 50 terminal connector, equipped with cable shell, cable clamp and locking screws. The PC-14 is designed to provide the correct termination for local (front panel) control of Kepco ATE 1/2 Rack, ATE 3/4 and Full Rack Models.

INSTALLATION

- 1) Unpack the Model PC-14 connector from the polyethylene bag.
- 2) Mate connector with the ATE rear edge connector.
- 3) Secure Model PC-14 connector to the chassis of the ATE by engaging and hand-tightening the two knurled fastening screws.

MECHANICAL OUTLINE DRAWING: Refer to FIG. 2 (reverse side).

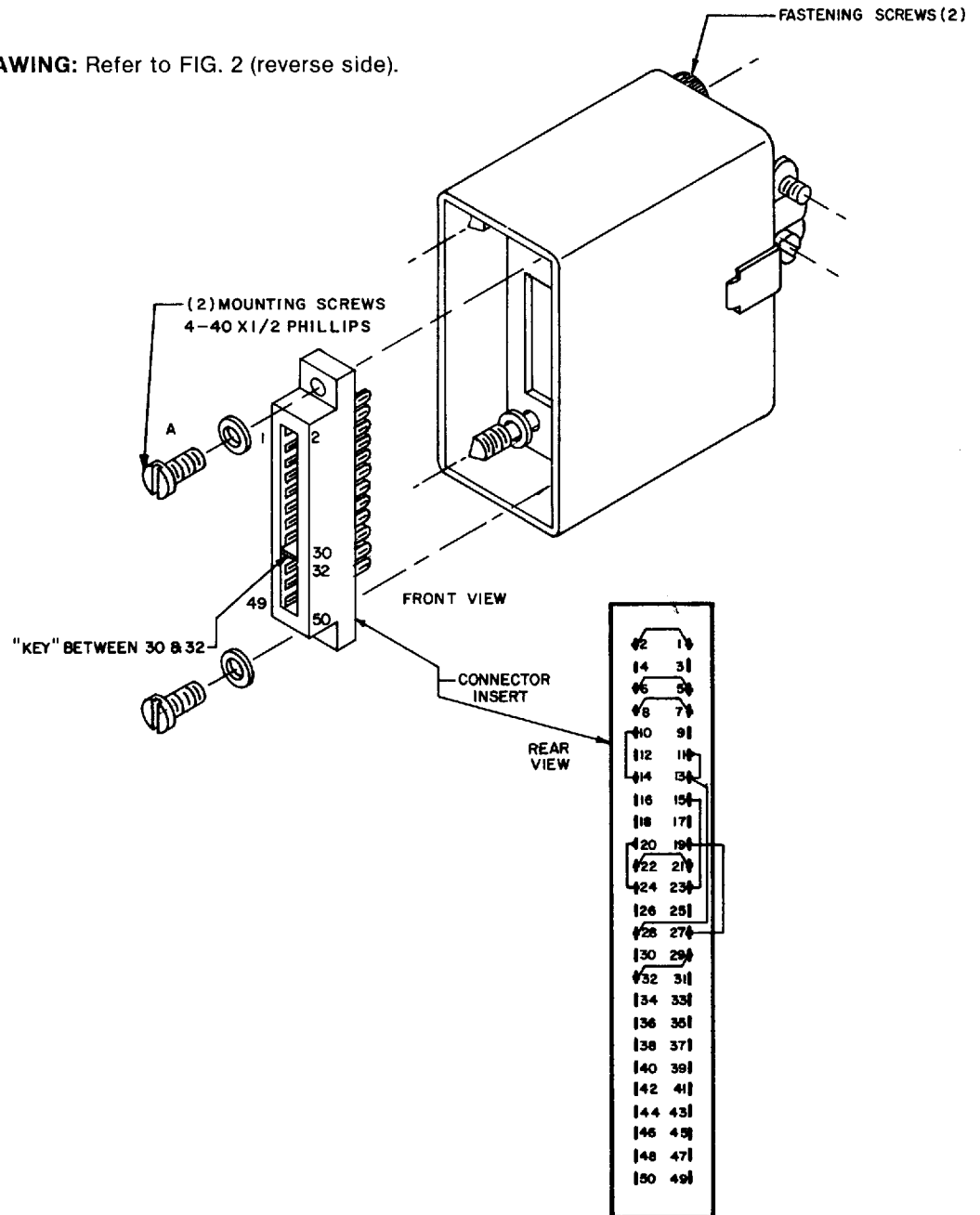


FIG. 1 DISASSEMBLED VIEW OF THE PC-14 MATING CONNECTOR.

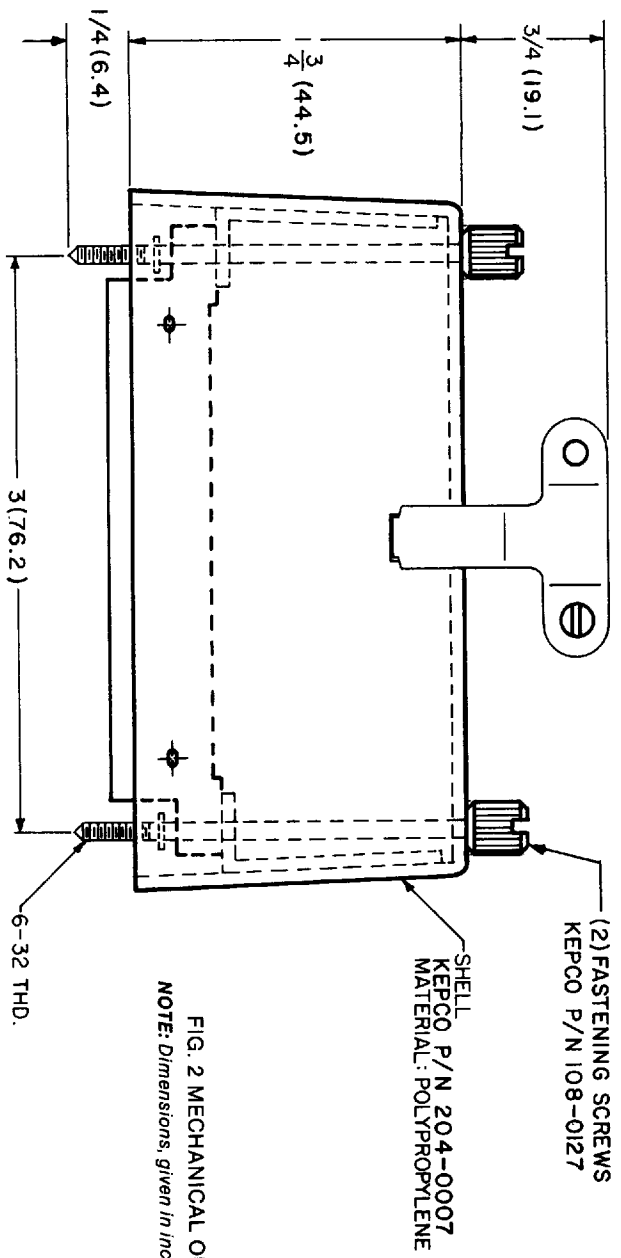


FIG. 2 MECHANICAL OUTLINE DRAWING, MODEL PC-14
 NOTE: Dimensions, given in inches and (millimeters), are for reference only.

