

KEPCO MODEL PC-10 MATING CONNECTOR

DESCRIPTION. The Kepco Model PC-10 is a 30-terminal connector equipped with cable shell, cable clamp and locking screws. The PC-10 is designed to provide the correct termination for Kepco equipment with dual edge printed circuit rear connectors.

INSTALLATION (Refer to FIG. 1)

- 1) Disassemble the connector insert and the connector shell by removing the two mounting screws (A, B).
- 2) Wire the connector terminals and insert the plastic "key" into the correct position (See FIG. 1).
- 3) Re-assemble the connector insert and the connector shell, (See FIG. 1).

MECHANICAL OUTLINE DRAWING: Refer to FIG. 2 (reverse side).

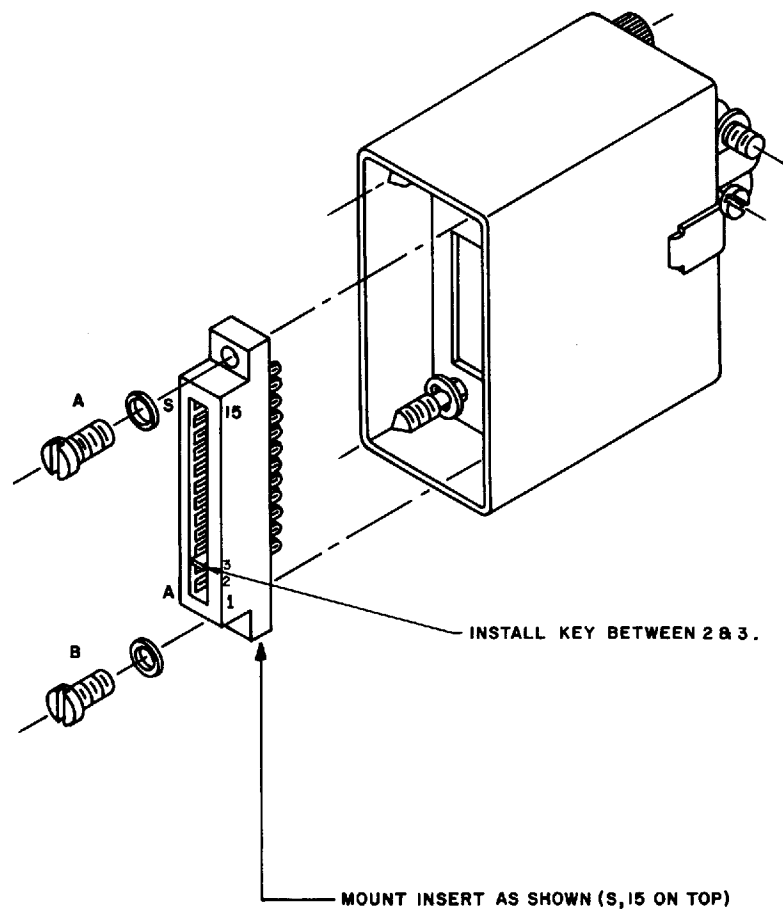


FIG. 1 INSTALLATION OF THE PC-10 MATING CONNECTOR.

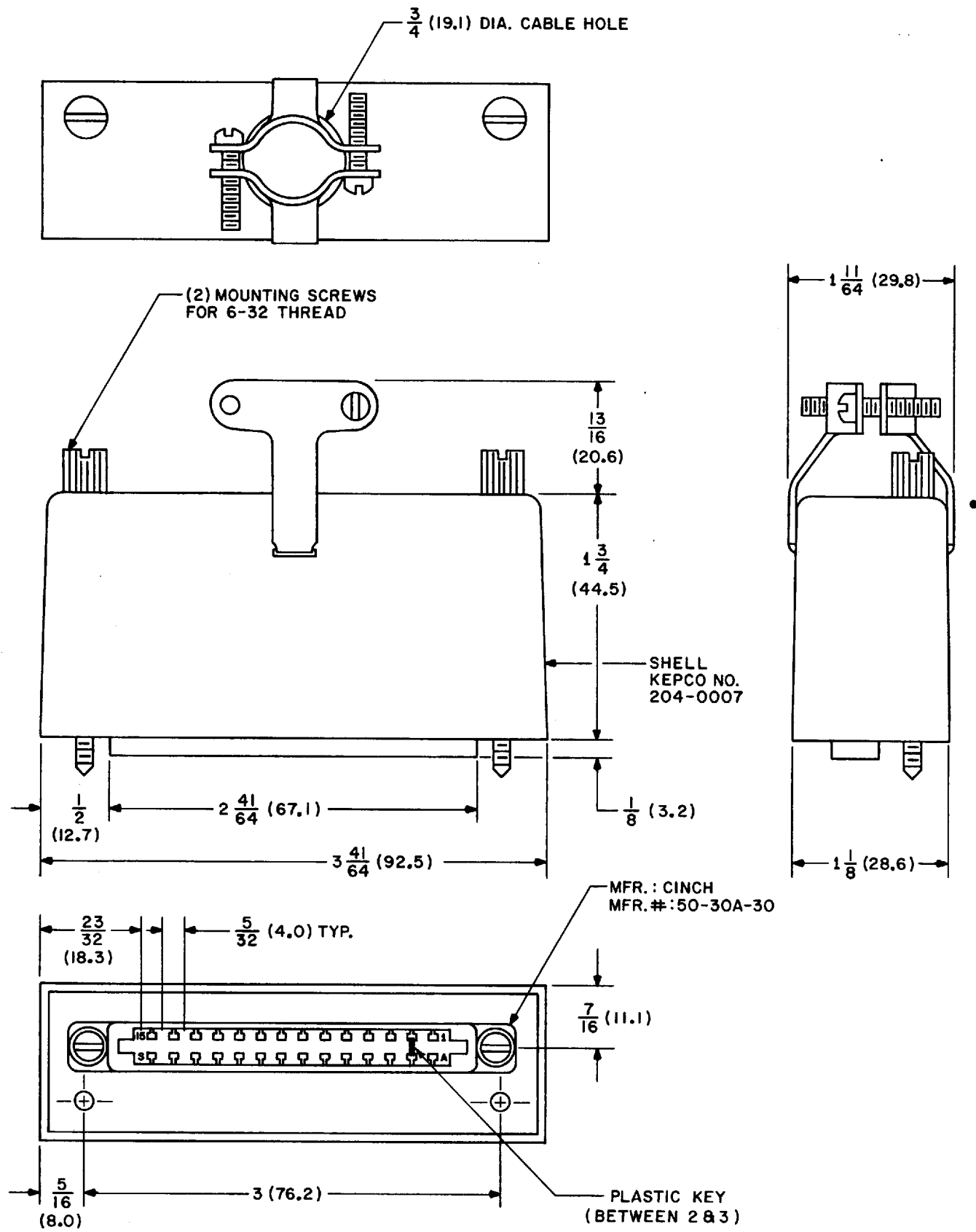


FIG. 2 MECHANICAL OUTLINE DRAWING, MODEL PC-10.