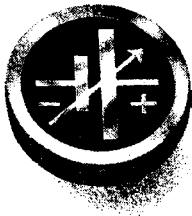


INSTRUCTION MANUAL



KEPCO/TDK

ERD30W-48

SINGLE OUTPUT SWITCHING POWER SUPPLIES

I—INTRODUCTION

SCOPE OF MANUAL. This instruction manual contains information for the installation and operation of the Kepco ERD30W-48 Series of Switching Power Supplies. For extended operating and service information, please refer to the Service Manual for the ERD30W-48 Series, which can be purchased, when available, either from your Kepco Representative, or by writing directly to: Kepco Inc., 131-38 Sanford Avenue, Flushing, New York, 11352, U.S.A.

DESCRIPTION. The Kepco ERD30W-48 Series consists of several switching power supplies, having a d-c input and a single d-c output, rated as listed in Table 1. ERD30W-48 switching power supplies have similar electrical specifications, except for the output ratings. They are low-dissipative stabilizers, using pulse-width modulation to control the output. ERD30W-48 switching power supplies may be operated from 40V to 56V d-c sources, as listed in the specification table below.

II—SPECIFICATIONS:

All specifications, except as noted, are given at nominal input voltage and maximum rated output current.

PARAMETER	CONDITION	SPECIFICATION
D-C Source Voltage	Nominal Input Voltage: Input Voltage Range:	48V d-c 40V to 56V d-c
D-C Source Current	at 48V d-c input, 50°C rating per Table 1 at 40V d-c input, 50°C rating per Table 1 at 48V d-c input, no load	0.8A Typical, 0.9A Maximum 1.1A Maximum. 100 mA maximum.
D-C Output ratings	0-71°C ambient temperature	See Table 1
Remote on/off	The \pm RC terminals may be used to turn the power supply on/off	TTL Logic Level or manual switch. Unit is normally "on"
Efficiency	Maximum load, nominal source voltage	77% typical
Fuse⁽¹⁾	Slow-Acting type, Kepco P/N 541-0092 or SOC TSC 2.5A	2.5A — 125V (5 x 20mm size)

⁽¹⁾ Accessible after cover removal, refer to FIG. 5.

MODEL	NOMINAL OUTPUT VOLTS	ADJ. RANGE VOLTS	MAXIMUM OUTPUT RATINGS (AMPS, WATTS) VS. AMBIENT OPERATING TEMPERATURE					SWITCHING COMPONENT RIPPLE, p-p		SPIKE NOISE DC to 50 MHz MAXIMUM
			30°C	40°C	50°C	60°C	71°C	TYPICAL	MAXIMUM	
ERD 5-6-48	5	4.0- 5.5	6.0A/30W	6.0A/30W	6.0A/30W	4.2A/21W	2.4A/12W	30 mV	50 mV	100 mV
ERD 12-2.5-48	12	8.4-13.2	2.5A/30W	2.5A/30W	2.5A/30W	1.8A/21W	1.0A/12W	50 mV	80 mV	170 mV
ERD 15-2-48	15	12.0-16.5	2.0A/30W	2.0A/30W	2.0A/30W	1.4A/21W	0.8A/12W	50 mV	80 mV	200 mV
ERD 24-1.3-48	24	16.8-26.4	1.3A/31.2W	1.3A/31.2W	1.3A/31.2W	0.9A/21.8W	0.5A/12.5W	50 mV	100 mV	290 mV
ERD 48-0.6-48	48	32.6-52.8	0.6A/28.8W	0.6A/28.8W	0.6A/28.8W	0.4A/20.2W	0.2A/11.5W	60 mV	150 mV	530 mV

TABLE 1 RIPPLE/NOISE AND D-C OUTPUT RATINGS VS. AMBIENT TEMPERATURE, ERD30W-48 SERIES, FOR VERTICAL INSTALLATION. FOR HORIZONTAL INSTALLATION, DERATE AS SHOWN IN FIG. 3.

II—SPECIFICATIONS, Cont'd:

PARAMETER	CONDITION	SPECIFICATION
Source Effect (Line Regulation)	40V to 56V d-c	Typical: 0.2% Maximum: 0.8%
Load Effect (Load Regulation)	Nominal source voltage For load change: 10%–100%	Typical: <0.3% Maximum: 1.0%
Combined Effect maximum voltage change after initial setting	For all conditions of rated source voltage, load current and temperature	Typical: <0.6% Maximum: 2.0%
Time Effect (8 hr. drift)	Constant source voltage, load and temperature	Typical: <0.1% Maximum: 0.5%
Temperature Effect from 0° to 71 °C	Nominal source voltage Maximum Load	Envelope (0-71 °C): Typical: <0.3% Maximum: 1.0%
Current Limit (Nominal Input Voltage @ 25 °C)	Factory set to the tabulated values. Change of setting for source and Temperature variations: ± 10%	ERD 5-6-48 6.6—7.1A ERD 12-2.5-48 2.8—3.1A ERD 15-2-48 2.3—2.6A ERD 24-1.3-48 1.5—1.8A ERD 48-0.6-48 0.7—1.0A
Over-Voltage	Factory set to approximately 120% of nominal output voltage on each model	Reset: turn input power off for 5 sec.
Operating Temperature- Range	Nominal Source Voltage Maximum Load	0°C to + 71 °C (See Table 1)
Storage Temperature-Range	Non-operating	- 20°C to + 75 °C
Humidity	Non-Condensing	20 to 95% RH.
Transient Recovery	Step load change 50–100% Recovery within 1.0% of output voltage Rise & Fall Time of load step >50μsec.	Excursion: < 4% Recovery time: < 1 millisecond
Withstand Voltage	Between input and output terminals or case	2.0 KV a-c for 1 minute
Isolation Resistance	Between output terminals and case	500V d-c, 100 Megohms minimum
Vibration	5-10 Hz. 10-55 Hz.	10 mm, 3 axes 2 g, 3 axes
Shock	11 ms ± 5 ms.	20 g, 3 axes
Size	N.A.	See Fig. 5
Weight	English Metric	0.9 lb. max. 0.4 Kg max.
Safety	Used within ratings	UL 478 Recognized CSA C22.2-154 Certified MIL-STD-810 Environmental Test Methods for Ground Equipment
EMI	Conducted Noise: Filters built-in Radiated Noise: Units have metal case	MIL-STD-461, Method CE03 MIL-STD-461, Method RE03
Warranty	Used within ratings	1 Year

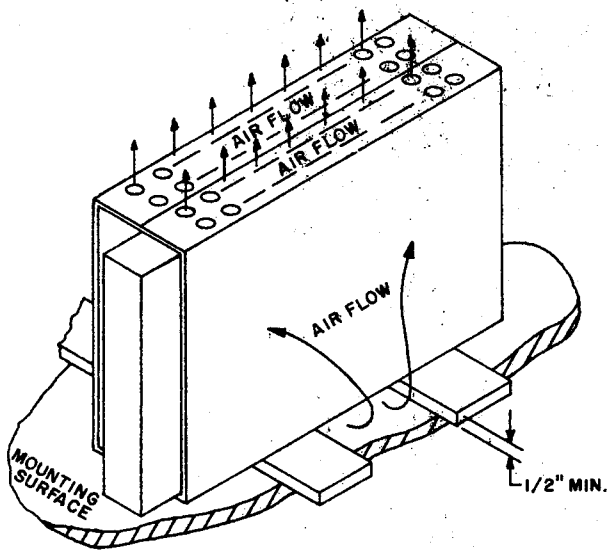


FIG. 1 RECOMMENDED MOUNTING METHOD (VERTICAL) FOR ERD30W-48 POWER SUPPLIES. Output current rating per Table 1

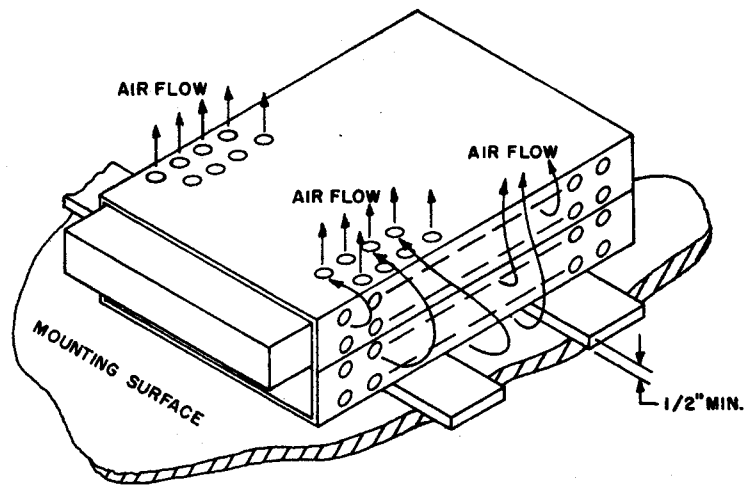


FIG. 2 RECOMMENDED MOUNTING METHOD (HORIZONTAL) FOR ERD30W-48 POWER SUPPLIES. Output current rating per FIG. 3

III—OPERATION

SOURCE POWER TURN-ON/TURN-OFF

Source input power to the ERD power supply is applied in the conventional manner by means of an external power switch in series with one or both of the source input terminals, (see FIG. 4).

Following source turn-on, for systems applications the ERD power supply can be remotely programmed "on" and "off" by means of a contact closure, or TTL logic levels. This permits turn-on/off sequencing and avoids input surge current associated with conventional source power turn-on/off cycles. In FIG. 4 both the conventional and the remote d-c power turn-on/turn-off methods are shown:

- A) If remote turn-on/off is not needed, delete components connected to terminals + RC, - RC and leave these terminals open.
- B) If the remote turn-on/turn-off method is used, retain the SOURCE POWER switch. **NOTE:** Source power turn-on/turn-off must be retained since the overvoltage protector circuit is reset, following an overvoltage condition, by removing (5 seconds minimum) and re-applying the source power. Either the indicated switch (S1) or TTL levels may be used for remote turn-on/off as indicated in the table of FIG. 4. The switch (S1) must be "chatter-free", or the indicated components should be used to integrate the switching pulse.

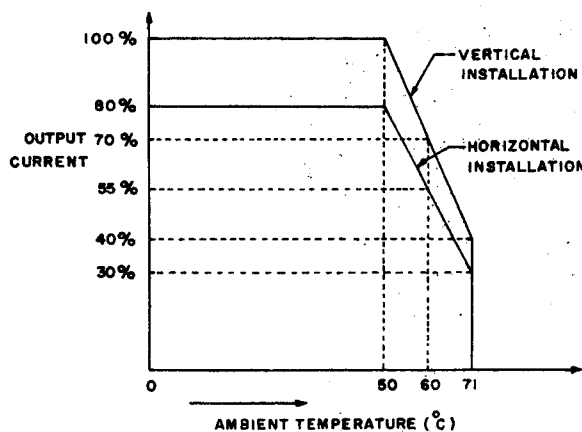


FIG. 3 OUTPUT CURRENT DERATING GRAPH.

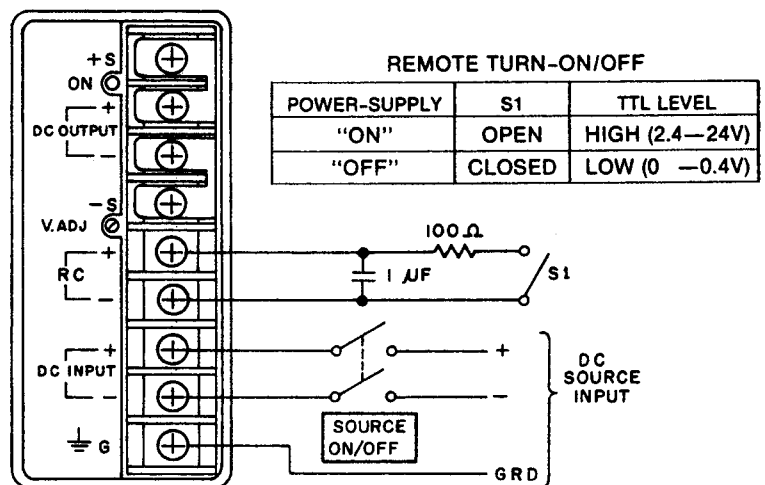
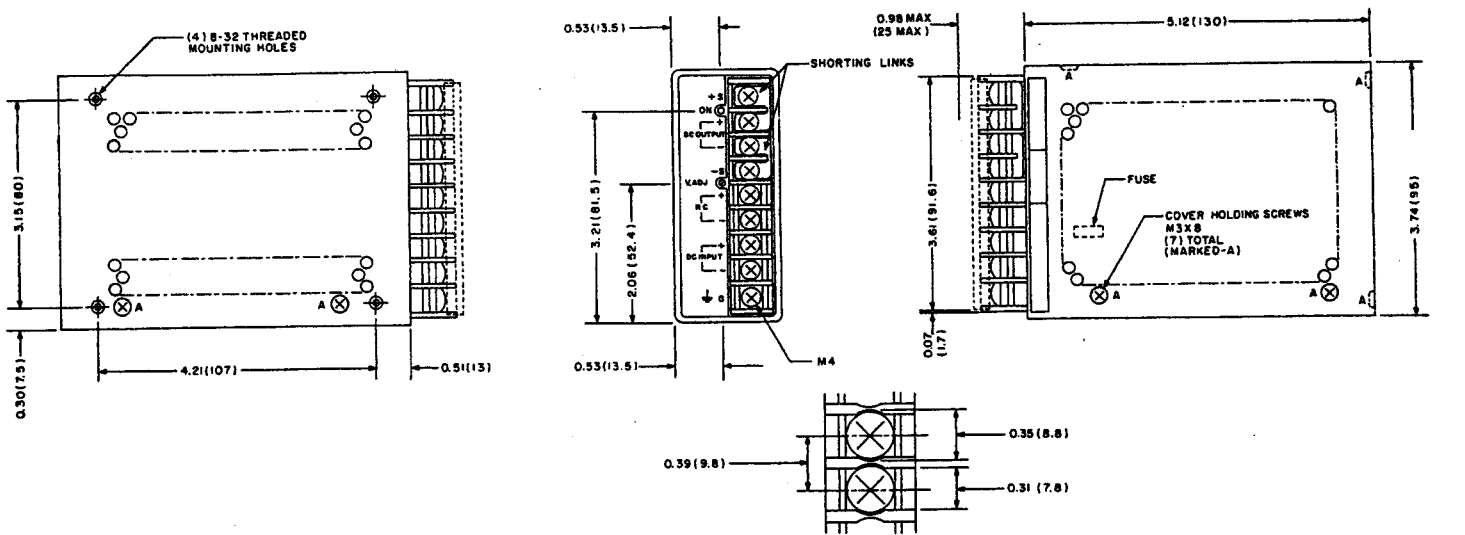


FIG. 4 CONVENTIONAL AND REMOTE SOURCE-POWER TURN-ON/OFF.

NOTE: Remote turn-on/off circuit may be deleted.

INTERNAL ADJUSTMENT (See FIG. 4 for location)

V_{ADJ} . Output Voltage Adjustment. Monitor the output voltage with a precision voltmeter at the \pm sensing terminals and turn control to the desired value.



1. MATERIAL: Cover, 1/16 thick aluminum.
2. FINISH: Phosphate treated.
3. DIMENSIONS IN PARENTHESES ARE IN MILLIMETERS, OTHERS IN INCHES.
4. TOLERANCES: Between mounting holes: ± 0.028 (± 0.7) All other dimensions: ± 0.040 (± 1.0).
5. MAXIMUM MOUNTING SCREW PENETRATION: 0.28 (7).

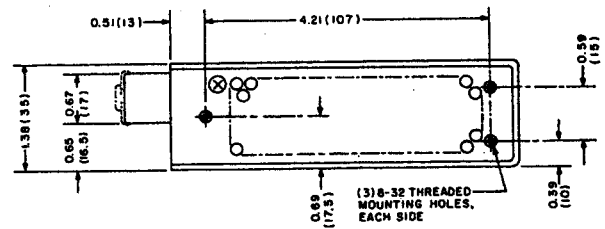


FIG. 5 MECHANICAL OUTLINE DRAWING, ERD30W-48 SERIES

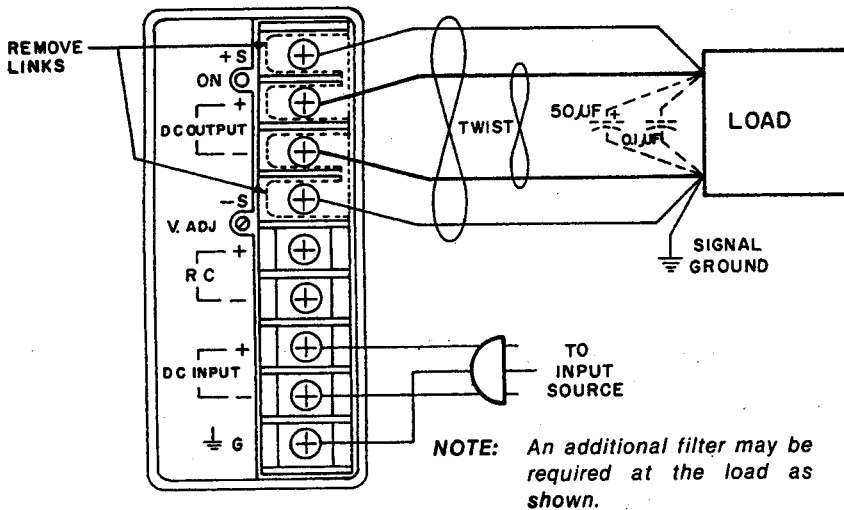


FIG. 6 LOAD CONNECTIONS WITH ERROR SENSING, ERD30W-48 SERIES.

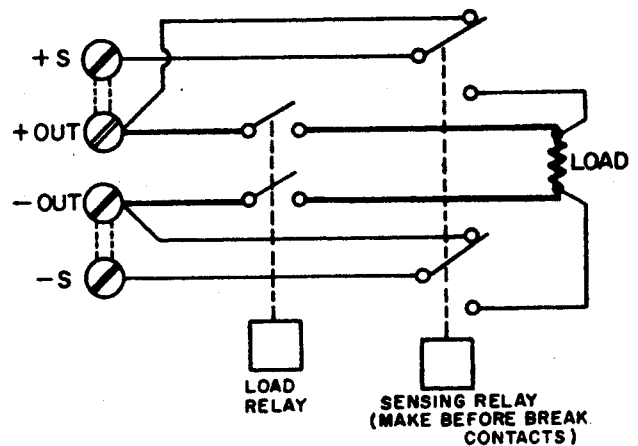


FIG. 7 LOAD SWITCHING

LOAD CONNECTIONS

The load may be connected in the way illustrated in FIG. 6. IMPORTANT NOTE: IF ERROR SENSING IS USED, THE SHORTING LINKS BETWEEN OUTPUT AND SENSING TERMINALS MUST BE COMPLETELY REMOVED. IF ERROR SENSING IS NOT USED, THE LINKS MUST BE CONNECTED AT THE BARRIER STRIP. TIGHTEN BARRIER STRIP TERMINAL SCREWS SECURELY. LOOSE CONNECTIONS MAY CAUSE MALFUNCTIONING OF THE POWER SUPPLY. Remote error sensing can compensate for load wire voltage drops up to 0.4V per wire.

If the load is to be connected and disconnected by means of relays or other switching devices, proper contact sequencing must be observed to prevent power supply malfunctions. Refer to FIG. 7: When LOAD is switched "on", energize LOAD RELAY first, SENSING RELAY last. When LOAD is switched "off" de-energize SENSING RELAY first, LOAD RELAY last.