

INSTRUCTION MANUAL



KEPCO An ISO 9001 Company.

CA-15

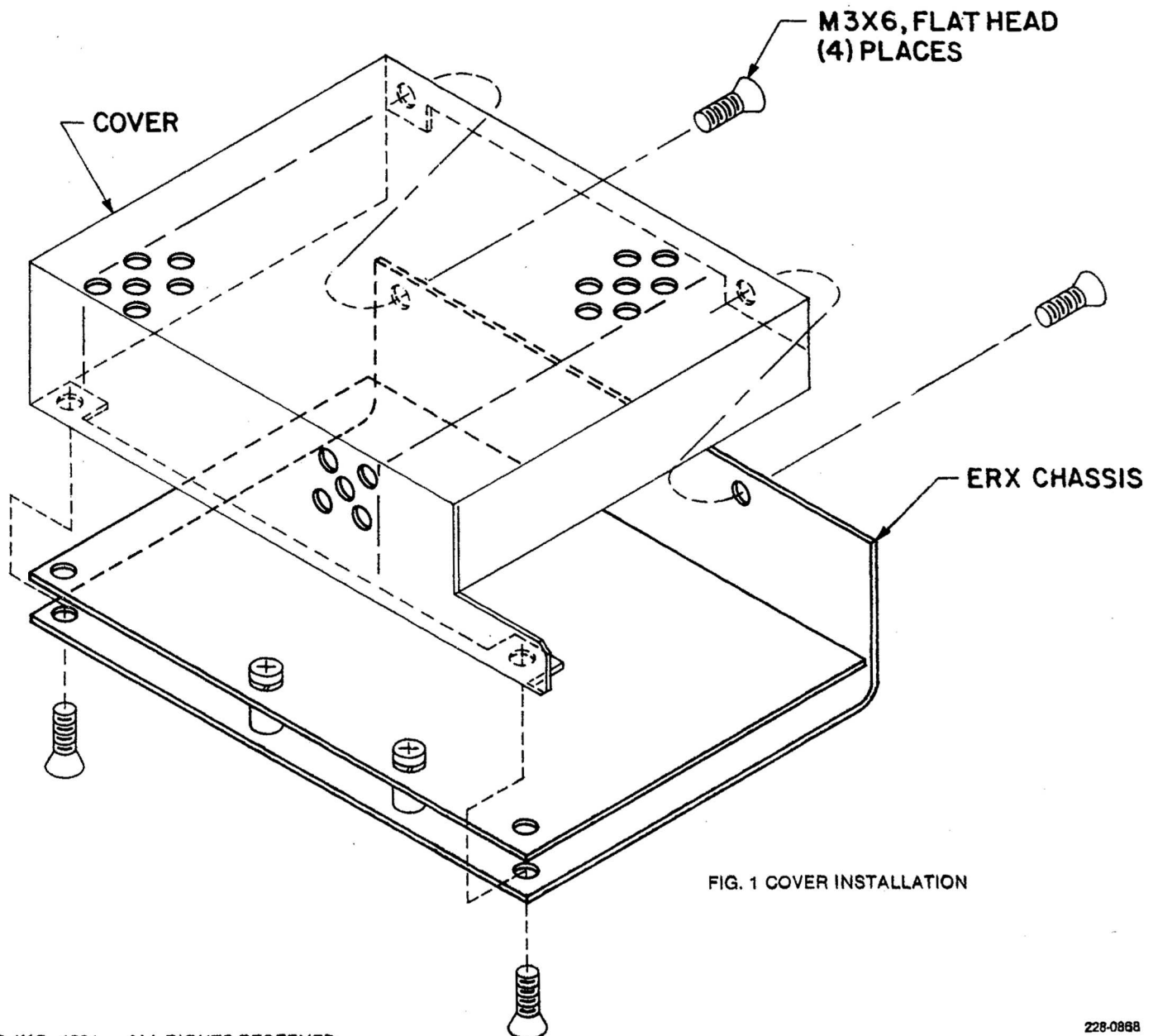
COVER

ENCLOSURES AND HARDWARE SYSTEMS

DESCRIPTION. The Kepco Model CA-15 COVER is designed to provide shielding and protection for the Kepco ERX 30W Series of switching power supplies. These finished steel covers have four (4) mounting threads and are easily installed, using the predrilled, counter-sunk mounting holes on the ERX chassis, as shown in FIG. 1.

INSTALLATION.

- 1) Slip the cover over the ERX chassis as shown in FIG. 1.
- 2) Place the four (4) mounting screws, contained in the plastic bag delivered with the cover, through the counter-sunk holes in the ERX chassis and hand-tighten the screws.
- 3) Align the cover and tighten the mounting screws.



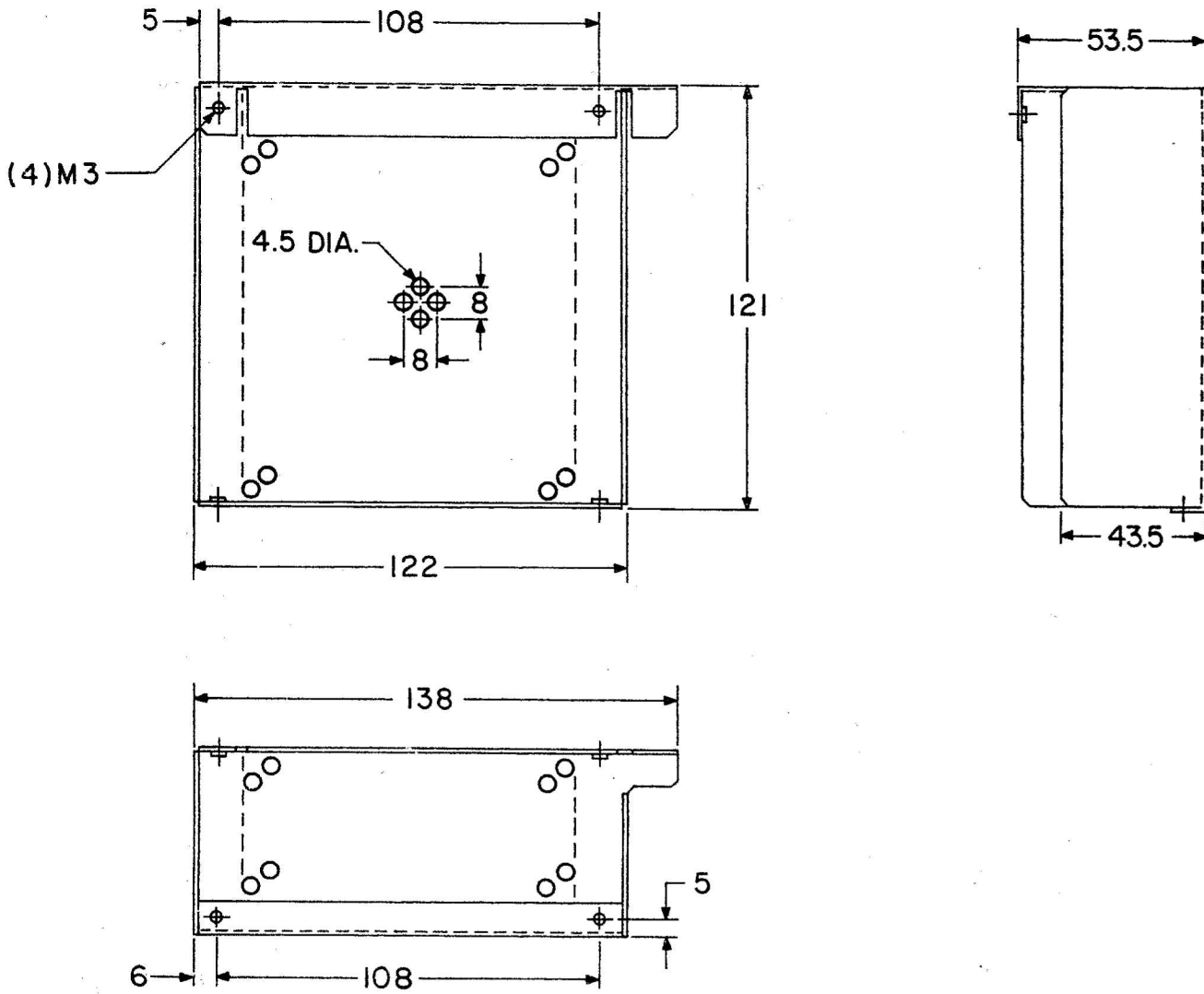


FIG. 2 MECHANICAL OUTLINE DRAWING

NOTES: 1) Mat.: CRS-1mm, Alternative: Galvanized Steel
 Finish: Cadmium Plated, Chromate wash
 All dimensions are in millimeters
 Tolerances: ± 0.5 mm mounting holes;
 ± 1 mm other dimensions