

# OPERATOR'S MANUAL

## BOP 2X-DE (C) (L) 200W, 400W DUAL CHANNEL BIPOLAR OPERATIONAL POWER SUPPLY

200W: BOP 2X5-20DE, BOP 2X20-5DE, BOP 2X50-2DE, BOP 2X100-1DE  
400W: BOP 2X5-30DE, BOP 2X20-10DE, BOP 2X36-6DE, BOP 2X50-4DE,  
BOP 2X72-3DE, BOP 2X100-2DE

KEPCO INC.

CE	
<b>MODEL</b> <b>BOP 2X-DE 200W, 400W</b> <b>POWER SUPPLY</b>	
ORDER NO.	REV. NO.

### IMPORTANT NOTES:

- 1) This manual is valid for the following Model and associated serial numbers:

MODEL	SERIAL NO.	REV. NO.
-------	------------	----------

- 2) A Change Page may be included at the end of the manual. All applicable changes and revision number changes are documented with reference to the equipment serial numbers. Before using this Instruction Manual, check your equipment serial number to identify your model. If in doubt, contact your nearest Kepco Representative, or the Kepco Documentation Office in New York, (718) 461-7000, requesting the correct revision for your particular model and serial number.
- 3) The contents of this manual are protected by copyright. Reproduction of any part can be made only with the specific written permission of Kepco, Inc.

Data subject to change without notice.

©2021, KEPCO, INC  
P/N 243-1405





# TABLE OF CONTENTS

SECTION	PAGE
<b>SECTION 1 - INTRODUCTION</b>	
1.1	Scope of Manual..... 1-1
1.2	Model Suffix Explanations ..... 1-1
1.2.1	Meters (D suffix): ..... 1-1
1.2.2	Capacitive Load Optimization (C Suffix):..... 1-1
1.2.3	Inductive Load Optimization (L Suffix):..... 1-1
1.2.4	Ethernet (LAN) Interface (E Suffix):..... 1-1
1.3	General Description..... 1-1
1.4	Electrical Specifications, General ..... 1-2
1.5	Miscellaneous Features..... 1-8
1.5.1	Output Range ..... 1-8
1.5.2	Rear Programming Features..... 1-9
1.5.3	Remote ON-OFF Feature..... 1-12
1.5.4	Load Reactance ..... 1-12
1.5.4.1	Driving an Inductive Load in Current Mode ..... 1-12
1.5.4.2	Driving a Capacitive Load in Voltage Mode ..... 1-13
1.5.5	Remote Turn-off ..... 1-13
1.5.6	Circuit Breaker Shutdown Prevention (at Power Loss) Circuit ..... 1-13
1.5.7	References ..... 1-13
1.5.8	Series Or Parallel Operation ..... 1-13
1.5.9	Mode Setting ..... 1-13
1.5.10	Voltage Control Loop..... 1-13
1.5.11	Current Control Loop..... 1-13
1.5.12	Mode Lights ..... 1-14
1.5.13	Standards ..... 1-14
1.6	Mechanical Specifications ..... 1-14
1.7	Equipment Supplied..... 1-14
1.8	Accessories ..... 1-14
1.9	Safety..... 1-15
<b>SECTION 2 - INSTALLATION</b>	
2.1	Unpacking and Inspection..... 2-1
2.2	Terminations, Controls and Indicators ..... 2-1
2.3	A-C Input Requirements ..... 2-3
2.4	Cooling..... 2-3
2.5	Preliminary Checkout..... 2-4
2.5.1	Preliminary Checkout using LAN Interface..... 2-4
2.6	Installation of BOP 2X-DE Series Models..... 2-6
2.6.1	Slide Installation ..... 2-6
2.7	Load Connection..... 2-8
2.7.1	Load Connection, Local Sensing..... 2-8
2.7.2	Load Connection, Remote Sensing..... 2-8
2.7.3	A-c Ground ..... 2-8
2.7.4	D-c Ground..... 2-9
<b>SECTION 3 - OPERATION</b>	
3.1	Introduction..... 3-1
3.2	Power Supply Basics (Using LAN Interface) ..... 3-1
3.2.1	LAN Factory Defaults ..... 3-1
3.3	Remote Programming Using the Web Interface ..... 3-2
3.3.1	Troubleshooting LAN Communication Problems. .... 3-2
3.3.2	Finding Kepco Power Supplies on the LAN (Discovery) ..... 3-3
3.3.2.1	PSFind Discovery..... 3-3
3.3.2.2	Bonjour-enabled Discovery ..... 3-3
3.3.2.3	LXI Discovery ..... 3-4
3.3.3	Launch Web Interface ..... 3-5

# TABLE OF CONTENTS

SECTION	PAGE
3.3.4 LAN Configuration Using Web Interface.....	3-6
3.4 Operating The Channel Using Web Interface .....	3-7
3.4.1 Changing the Output.....	3-8
3.4.1.0.1 Resetting the Unit (*RST).....	3-8
3.4.1.1 Using a List (User-Programmed Sequences).....	3-8
3.5 Operating the Unit using Telnet .....	3-10
3.5.1 Programming Techniques to Optimize performance .....	3-10
3.5.1.1 Setting BOP Voltage and Current Limits .....	3-11
3.5.1.2 Automatic Range Operation. ....	3-11
3.5.1.3 Using the LAN interface to Produce a Software-timed Ramp at the Output.....	3-11
3.5.2 Making Sure the Previous Command is Complete.....	3-12
3.5.3 Password Setup.....	3-16
3.6 Built in Test .....	3-16
3.6.1 Power-up Test .....	3-16
3.6.2 Confidence Test.....	3-16
3.6.3 Channel test.....	3-17
3.7 SCPI Programming .....	3-17
3.7.1 SCPI Messages .....	3-17
3.7.2 Common Commands/Queries .....	3-17
3.7.3 SCPI Subsystem Command/Query Structure.....	3-17
3.7.3.1 Initiate Subsystem .....	3-18
3.7.3.2 Measure Subsystem.....	3-18
3.7.3.3 [Source:]voltage And [Source:]current Subsystems .....	3-18
3.7.3.4 Output Subsystem .....	3-18
3.7.3.5 List Subsystem .....	3-19
3.7.3.5.1 Required LIST Commands.....	3-19
3.7.3.5.2 Other Required Commands .....	3-19
3.7.3.5.3 Other Useful Commands.....	3-20
3.7.3.5.4 Optional Commands.....	3-20
3.7.3.6 Status Subsystem.....	3-20
3.7.3.7 System Subsystem.....	3-20
3.7.4 Program Message Structure.....	3-20
3.7.4.1 Keyword.....	3-21
3.7.4.2 Keyword Separator.....	3-22
3.7.4.3 Query Indicator .....	3-22
3.7.4.4 Data .....	3-22
3.7.4.5 Data Separator .....	3-22
3.7.4.6 Message Unit Separator.....	3-22
3.7.4.7 Root Specifier .....	3-22
3.7.4.8 Message Terminator.....	3-23
3.7.5 Understanding The Command Structure.....	3-23
3.7.6 Program Message Syntax Summary .....	3-24
3.7.7 SCPI Program Example.....	3-24
3.8 Enhanced Operation .....	3-28
3.8.1 Error Detection.....	3-28
3.8.2 Limit Channel Control .....	3-29
3.8.3 Using and Saving System Variables.....	3-29
3.8.4 Flash Memory EEPROM Operation.....	3-29
3.8.4.1 Calibration Storage.....	3-33
3.9 Series and Parallel Connection of BOP Channels .....	3-33
3.9.1 Series Connection, Master/slave Operation .....	3-34
3.9.2 Circuit Breaker Control Circuit .....	3-36
3.9.3 Parallel Connection, Master/Slave Operation.....	3-38
<b>SECTION 4 - CALIBRATION</b>	
4.1 Equipment Required .....	4-1

# TABLE OF CONTENTS

SECTION	PAGE
4.2	Calibration of BOP 2X-DE Channel ..... 4-1
4.2.1	Manual calibration ..... 4-5
4.2.2	Calibration Using IVI Driver ..... 4-9
4.2.2.1	Setup ..... 4-9
4.2.2.2	Main Control Panel ..... 4-10
4.2.2.3	Calibration Controls ..... 4-10
4.2.2.4	Calibration Procedure ..... 4-11
A.2	*CLS — Clear Status Command ..... A-1
A.3	*ESE — Standard Event Status Enable Command ..... A-1
A.4	*ESE? — Standard Event Status Enable Query ..... A-2
A.5	*ESR? — Event Status Register Query ..... A-2
A.6	*IDN? — Identification Query ..... A-2
A.7	*OPC — Operation Complete Command ..... A-3
A.8	*OPT? — Options Query ..... A-4
A.9	*RCL — Recall Command ..... A-4
A.10	*RST — Reset Command ..... A-4
A.11	*SAV — Save Command ..... A-4
A.12	*SRE — Service Request Enable Command ..... A-4
A.13	*SRE? — Service Request Enable Query ..... A-5
A.14	*STB? — Status Byte Register Query ..... A-5
A.15	*TRG — Trigger Command ..... A-5
A.16	*TST? — Self Test Query ..... A-5
A.17	*WAI — Wait-To-Continue Command ..... A-5
B.1	Introduction ..... B-1
B.2	Numerical Values ..... B-2
B.3	CALibrate:CPROtect Command ..... B-2
B.4	CALibrate:STATus Command ..... B-2
B.5	CALibrate[:STATus]? Query ..... B-2
B.6	CALibrate:CURRent Command ..... B-3
B.7	CALibrate:DATA Command ..... B-3
B.8	CALibrate:DPOT Command ..... B-3
B.9	CALibrate:LCURR Command ..... B-4
B.10	CALibrate:LVOLT Command ..... B-4
B.11	CALibrate:SAVE Command ..... B-4
B.12	CALibrate:VOLTage Command ..... B-4
B.13	CALibrate:VPROtect Command ..... B-4
B.14	CALibrate:ZERO Command ..... B-4
B.15	INITiate[:IMMediate] Command ..... B-5
B.16	INITiate:CONTinuous Command ..... B-5
B.17	INITiate:CONTinuous Query ..... B-5
B.18	MEASure[:SCALar]:CURRent[:DC]? Query ..... B-5
B.19	MEASure[:VOLTage][:SCALar][:DC]? Query ..... B-5
B.20	OUTPut[:STATe] Command ..... B-5
B.21	OUTPut[:STATe] Query ..... B-5
B.22	[SOURce:]FUNCTion:MODE Command ..... B-6
B.23	[SOURce:]FUNCTion:MODE? Query ..... B-6
B.24	[SOURce:]FUNCTion:MODE:TRIGger ..... B-6
B.25	[SOURce:]FUNCTion:MODE:TRIGger? Query ..... B-6
B.26	[SOURce:]LIST:CLEAr Command ..... B-6
B.27	[SOURce:]LIST:COUNT Command ..... B-6
B.28	[SOURce:]LIST:COUNT? Query ..... B-6
B.29	[SOURce:]LIST:COUNT:SKIP Command ..... B-7
B.30	[SOURce:]LIST:COUNT:SKIP? Query ..... B-7
B.31	[SOURce:]LIST:CURRent Command ..... B-7
B.32	[SOURce:]LIST:CURRent? Query ..... B-7
B.33	[SOURce:]LIST:CURRent:POINTs? Query ..... B-8
B.34	[SOURce:]LIST:DIRection Command ..... B-8

# TABLE OF CONTENTS

SECTION		PAGE
B.35	[SOURCE:]LIST:DIRection? Query .....	B-8
B.36	[SOURCE:]LIST:DWELl Command .....	B-8
B.37	[SOURCE:]LIST:DWELl? Query .....	B-8
B.38	[SOURCE:]LIST:DWELl:POINts? Query .....	B-8
B.39	[SOURCE:]LIST:GENeration Command .....	B-12
B.40	[SOURCE:]LIST:GENeration? Query .....	B-12
B.41	[SOURCE:]LIST:QUERy Command .....	B-12
B.42	[SOURCE:]LIST:QUERy? Query .....	B-12
B.43	[SOURCE:]LIST:SEQuence Command .....	B-12
B.44	[SOURCE:]LIST:SEQuence? Query .....	B-13
B.45	[SOURCE:]LIST:VOLTagE Command .....	B-13
B.46	[SOURCE:]LIST:VOLTagE? Query .....	B-13
B.47	[SOURCE:]LIST:VOLTagE:POINts? Query .....	B-13
B.48	[SOURCE:]CURRent[:LEVel][:IMMediate][:AMPlitude] Command .....	B-13
B.49	[SOURCE:]CURRent[:LEVel][:IMMediate][:AMPlitude] Query .....	B-13
B.50	[SOURCE:]CURRent:MODE Command .....	B-14
B.51	[SOURCE:]CURRent:MODE? Query .....	B-15
B.52	[SOURCE:]CURRent[:LEVel]RANGe Command .....	B-15
B.53	[SOURCE:]CURRent[:LEVel]RANGe? Query .....	B-15
B.54	[SOURCE:]CURRent[:LEVel]RANGe:AUTO Command .....	B-15
B.55	[SOURCE:]CURRent[:LEVel]TRIGgered[:AMPlitude] Command .....	B-15
B.56	[SOURCE:]CURRent[:LEVel]TRIGgered[:AMPlitude]? Query .....	B-15
B.57	[SOURCE:]VOLTagE[:LEVel][:IMMediate][:AMPlitude] Command .....	B-16
B.58	[SOURCE:]VOLTagE[:LEVel][:IMMediate][:AMPlitude]? Query .....	B-16
B.59	[SOURCE:]VOLTagE:MODE Command .....	B-16
B.60	[SOURCE:]VOLTagE:MODE? Query .....	B-17
B.61	[SOURCE:]VOLTagE[:LEVel]:RANGe Command .....	B-17
B.62	[SOURCE:]VOLTagE[:LEVel]:RANGe? Query .....	B-17
B.63	[SOURCE:]VOLTagE[:LEVel]:RANGe:AUTO Command .....	B-17
B.64	[SOURCE:]VOLTagE[:LEVel]:TRIGgered[:AMPlitude] Command .....	B-17
B.65	[SOURCE:]VOLTagE[:LEVel]:TRIGgered[:AMPlitude]? Query .....	B-18
B.66	STATus:OPERation:CONDition Query .....	B-18
B.67	STATus:OPERation:ENABle Command .....	B-18
B.68	STATus:OPERation:ENABle? Query .....	B-18
B.69	STATus:OPERation[:EVENT]? Query .....	B-18
B.70	STATus:PRESet Command .....	B-18
B.71	STATus:QUEStionable[:EVENT]? Query .....	B-19
B.72	STATus:QUEStionable:CONDition? Query .....	B-20
B.73	STATus:QUEStionable:ENABle Command .....	B-20
B.74	STATus:QUEStionable:ENABle? Query .....	B-20
B.75	SYSTem:BEEP Command .....	B-20
B.76	SYSTem:ERRor? Query .....	B-20
B.77	SYSTem:ERRor:CODE? Query .....	B-20
B.78	SYSTem:ERRor:CODE:ALL? Query .....	B-20
B.79	SYSTem:PASSword:CENable Command .....	B-20
B.80	SYSTem:PASSword:CDISable Command .....	B-21
B.81	SYSTem:PASSword:NEW Command .....	B-21
B.82	SYSTem:PASSword:STATe? Query .....	B-21
B.83	SYSTem:REMOte Command .....	B-21
B.84	SYSTem:REMOte? Query .....	B-21
B.85	SYSTem:SECurity:IMMediate Command .....	B-21
B.86	SYSTem:SET Command .....	B-23
B.87	SYSTem:SET? Query .....	B-23
B.88	SYSTem:VERsion? Query .....	B-23

# LIST OF FIGURES

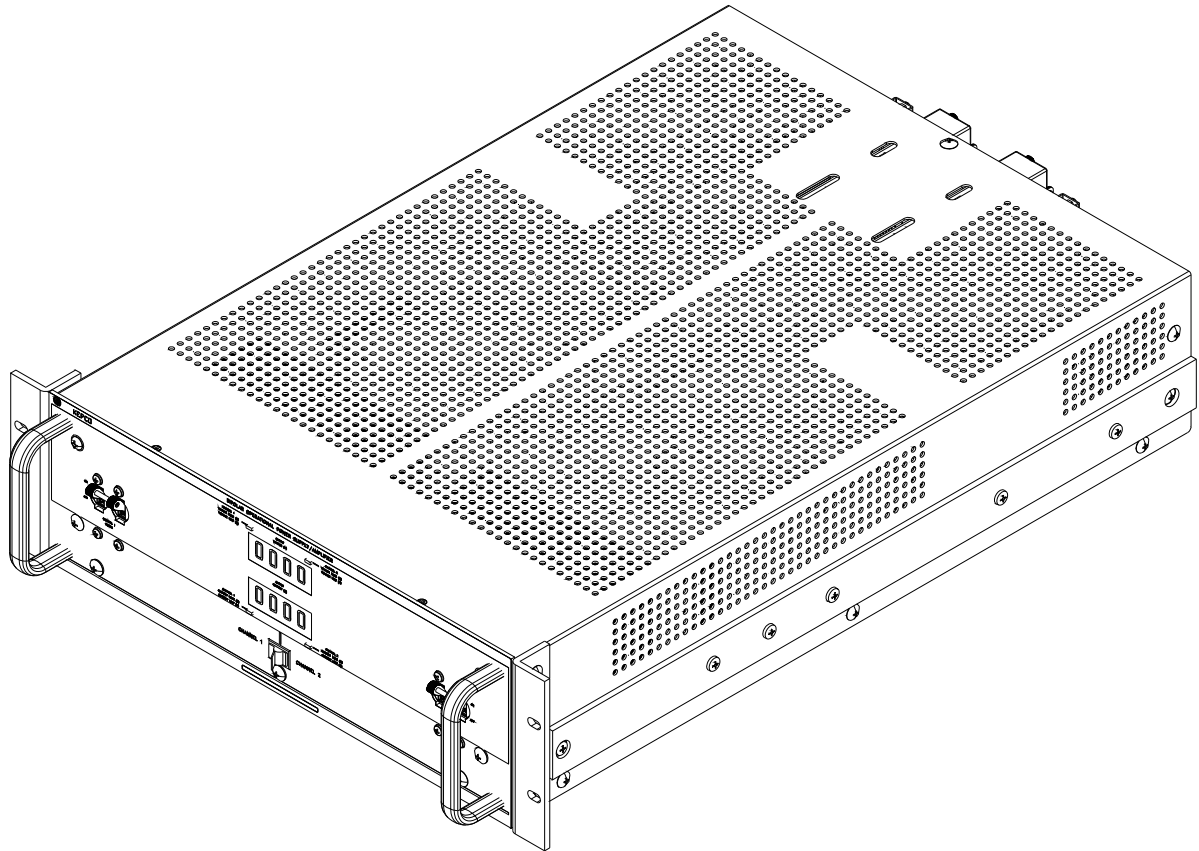
FIGURE	TITLE	PAGE
1-2	BOP Channel Output Characteristic .....	1-9
1-3	BOP Output WaveForms with Phase Shift .....	1-9
1-4	Mechanical Outline Drawing, (BOP 2X-DE Series Models) .....	2-17
2-1	BOP 2X-DE Controls and Indicators, Front Panel .....	2-2
2-2	BOP 2X-DE Terminations and Controls, Rear Panel.....	2-3
2-3	A-C Source Voltage Selection, Each Channel.....	2-3
2-4	Instrument Home Page .....	2-5
2-5	Operate Instrument Page.....	2-5
2-6	PS Find Screen .....	2-6
2-7	Slide Installation on BOP 2X-DE Units .....	2-7
2-8	Load Connection (Channel 1, Typ.) Using Local Sensing .....	2-9
2-9	Load Connection Using Remote Sensing .....	2-10
3-1	PS Find Screen .....	3-3
3-2	Discovery using Safari Browser with Bonjour Installed .....	3-4
3-3	Typical screen Using LXI Discovery Tool.....	3-4
3-4	Web Interface Home Page (Unit Description) .....	3-5
3-5	Web Interface Configure LAN Page.....	3-6
3-6	Web Interface Operate Instrument Page .....	3-8
3-7	Reset Dialog Box .....	3-8
3-8	List Dialog Box.....	3-9
3-9	Voltage and Current Ramp Dialog Boxes .....	3-9
3-10	Programming Example to Verify Previous Command has Completed.....	3-13
3-11	Tree Diagram of SCPI Commands Used with BIT 802E Interface Card.....	3-18
3-12	Message Structure .....	3-21
3-13	Typical Example of Interface Card Program Using SCPI Commands .....	3-25
3-14	Series Connection, Voltage Mode (shown), Master/Slave with Digital Control of Master, Remote Error Sensing, Slave BIT CARD Disabled.....	3-35
3-15	Circuit Breaker Control Circuit, Simplified Diagram. ....	3-37
3-16	Parallel Connection, Voltage Mode (shown) Master/Slave with Digital Control of Master, Remote Error Sensing, Slave BIT CARD Disabled.....	3-39
4-4	Simplified Schematic Diagram, Channel 1 or 2, BOP 2X SERIES .....	3-41
4-5	PC 15/PC 12 Rear Programming Connector Interconnections .....	3-43
4-1	Current Shunt Connections.....	4-1
4-2	Manual Calibration Controls (Top View) .....	4-5
4-3	Input VISA Resource Descriptor .....	4-9
4-4	Main Control Panel, Typical for BOP 2X100-1DE.....	4-10
4-5	Digital Calibration Controls .....	4-11
4-6	Password Entry .....	4-11
4-7	Voltage Calibration.....	4-12
A-1	IEEE 488 Commands .....	A-3
B-1	Using Calibration Commands and Queries.....	B-3
B-2	Using LIST Commands for Sawtooth and Triangle Waveforms.....	B-9
B-3	Using LIST Commands and Queries .....	B-10
B-4	Programming the Output.....	B-14
B-5	Using Recall and Trigger Functions.....	B-16
B-6	Using Status Commands and Queries.....	B-19
B-7	Setting the Unit to Remote Mode via Telnet .....	B-21
B-8	Using System Commands and Queries.....	B-23

## LIST OF TABLES

TABLE	TITLE	PAGE
1-1	General Specifications .....	1-2
1-2	Input Specifications Per Channel .....	1-7
1-3	Output Ranges, Transfer Factor and Output Impedance per Channel .....	1-7
1-4	Output Dynamic Specifications PER Channel .....	1-8
1-5	Rear Programming Connector (1 per Channel) Terminal Functions .....	1-10
1-6	Equipment Supplied .....	1-14
1-7	Accessories - Not Supplied .....	1-14
1-8	Safety Symbols .....	1-15
2-1	BOP 2X-DE Front Panel Controls and Indicators .....	2-1
2-2	BOP 2X-DE Rear Panel Terminations and Controls .....	2-2
2-3	Chassis Slide Mounting Holes .....	2-7
3-1	Built-in test Error Codes .....	3-16
3-2	Enhanced Operation - Error Response .....	3-30
3-3	Calibration Storage .....	3-33
4-1	Calibration Measurements and Tolerances - Voltage .....	4-2
4-2	Calibration Measurements and Tolerances - Current .....	4-3
4-3	Suggested Sense Resistors .....	4-5
4-4	Calibration Panel Functions .....	4-11
A-1	SCPI Command/query Index .....	A-1
A-2	Standard Event Status Enable Register and Standard Event Status Register Bits .....	A-1
A-3	Service Request Enable and Status Byte Register Bits .....	A-5
B-1	SCPI Subsystem Command/query Index .....	B-1
B-2	List Data Table .....	B-7
B-3	List Sequence Table .....	B-12
B-4	Operation Condition Register, Operation Enable Register, and Operation Event Register Bits .....	B-18
B-5	Questionable Event Register, Questionable Condition Register and Questionable Condition Enable Register Bits .....	B-19
B-6	Error Messages .....	B-22







3044289

**FIGURE 1-1. BOP 2X-DE SERIES 200W, 400W DUAL CHANNEL POWER SUPPLY**

## SECTION 1 - INTRODUCTION

### 1.1 SCOPE OF MANUAL.

This manual contains instructions for the installation and operation of the BOP 2X-DE Dual Channel Series of 200, and 400 Watt Bipolar Operational Power supplies manufactured by Kepco, Inc., Flushing, New York, U.S.A.

Throughout this manual  $E_O$  represents the rated output voltage, and  $I_O$  represents the rated output current as defined by  $E_O$  MAX and  $I_O$  MAX, respectively, in Table 1-3 for each model.

References in this manual to "BOP" apply to either Channel 1 or Channel 2. The two channels are functionally identical. References to "BOP 2X-DE" apply to the full rack chassis containing the two separate channels.

### 1.2 MODEL SUFFIX EXPLANATIONS

Suffixes appended to the model number are described below.

**1.2.1 METERS (D SUFFIX):** D suffix models are standard, and include two digital meters on the front panel used to display voltage and current for the channel selected by the Channel 1/Channel 2 select switch.

**1.2.2 CAPACITIVE LOAD OPTIMIZATION (C SUFFIX):** Models with a C suffix have been modified to be stable handling capacitive loads up to 10mF. A Modification Sheet describing changes and modified specifications can be downloaded from the Kepco web site at:

[www.kepcopower.com/support/opmanls.htm#bop](http://www.kepcopower.com/support/opmanls.htm#bop).

**1.2.3 INDUCTIVE LOAD OPTIMIZATION (L SUFFIX):** Models with an L suffix have been modified to be stable handling inductive loads up to 1 Henry. A Modification Sheet describing changes and modified specifications can be downloaded from the Kepco web site at:

[www.kepcopower.com/support/opmanls.htm#bop](http://www.kepcopower.com/support/opmanls.htm#bop).

**1.2.4 ETHERNET (LAN) INTERFACE (E SUFFIX):** Models with an E suffix include a separate LAN interface for each channel that is used for digital remote control of the output.

### 1.3 GENERAL DESCRIPTION.

Kepco's Series BOP 2X-DE dual-channel BOP models are 200W and 400W power supplies. Each channel is a separate power supply, completely isolated, independent and functionally identical. The 200W units have two 100W channels and the 400W units have two 200W channels.

BOP 2X-DE Models include a separate LAN interface for each channel (BIT 802E Interface Card, also referred to as digital card) that is used for digital remote control of the output. This interface is built-in and is not user-installable, however operation and calibration of the output channels is described in this manual.

Dual channel models come in a single full rack chassis capable of mounting in a standard 19-inch wide rack. The channels are completely isolated, but share two digital front panel meters (without affecting isolation) which display output voltage and current for the channel selected by the front panel Channel select switch. A single power cord powers both channels; separate on-off circuit breakers turn each channel on/off separately.

Each channel of Kepco Series BOP 2X-DE are fully dissipative, linear stabilizers for laboratory and systems applications. The BOP is an all solid-state design, featuring IC operational amplifiers in the control circuit section and silicon power transistors mounted on special fan-cooled heat sinks in the complementary power stage.

Each BOP channel is a linear stabilizer with two bipolar control loops (voltage or current mode), selectable and individually controllable by remote signals applied to the PC15 programming connector at the rear panel. These two principal control loops are each protected by bipolar limit circuits. The positive and negative current or voltage limit points can be remotely programmed simultaneously or individually. Automatic crossover between each principal control loop and the limit loops is provided. Only one principle loop (voltage or current) can control the output at any one time.

All control and limit loops are connected to the complementary output stage via an EXCLUSIVE OR gate, so that only one main loop, either voltage or current, and one of the limit loops is in control of the BOP output at any one time. The BOP output and limits can be programmed via a browser using the LAN interface. The output can also be adjusted over its full output range by a  $\pm 10$  volt signal applied to the Rear Programming Connector as described in Section 3 of this manual. The limit control loops can be controlled by 0 to +10 volt signals as described in Section 3 of this manual. Without any remote limit control applied to the Rear Programming Connector the limits are set to approximately 110% of  $E_O$  MAX and  $I_O$  MAX.

Two preamplifiers, with both inverting and non-inverting inputs, available at the Rear Programming Connector, can scale any programming source to the required internal control levels of the main loop. Zero adjustments for both preamplifiers are provided. By default the preamplifiers are set to an inverting configuration.

The BOP is a fast programmable power supply. The dynamic specifications for each channel, given in Table 1-3, are valid for resistive loads.

#### 1.4 ELECTRICAL SPECIFICATIONS, GENERAL

See Table 1-1 for general specifications. These specification apply to each BOP channel except where indicated as applying to BOP 2X-DE, referring to the entire chassis comprised of two BOP channels.

**TABLE 1-1. GENERAL SPECIFICATIONS**

SPECIFICATION	RATING/DESCRIPTION <sup>(1)</sup>	CONDITION/COMMENT
Input Voltage (Nominal)	104/ 115/ 208/ 230Vrms	Range: $\pm 9\%$ Internal setting for the nominal input
Input Brown-out Voltage	Max 103.5Vrms	@ 115V/60Hz, Sourcing nominal output power
Input Frequency (Nominal)	50/ 60Hz	Range: $\pm 3$ Hz
Input Specifications	Input current, input power (active), power factor and efficiency differ by model.	See Table 1-2.
Input Leakage Current	50uArms	@ 115V/ 60Hz, Sourcing nominal output power
Insulation Coordination	Installation Cat. 2 Over-voltage Cat. 2 Pollution Degree 2	Maximum 250V DC or PK between COM output terminal and chassis-ground
Type Of Stabilizer	Voltage-Current, 4-quadrant	
Topology	Linear, Half Bridge	Class AB

**TABLE 1-1. GENERAL SPECIFICATIONS (CONTINUED)**

SPECIFICATION		RATING/DESCRIPTION <sup>(1)</sup>	CONDITION/COMMENT
Output Voltage		0 to $\pm E_{Omax}$ (Volts DC or peak)	See Table 1-3 for $E_{Omax}$ values.
Output Current		0 to $\pm I_{Omax}$ (Amperes DC or peak)	See Table 1-3 for $I_{Omax}$ values.
Output Power (Nominal)			For long term operation in sink, reduce the complementary limit settings to half of nominal. See Table 1-3 for nominal output power values.
	Source Mode	$E_{Omax} \times I_{Omax}$ (Watts DC or peak)	
	Sink Mode	$(E_{Omax} \times I_{Omax})/2$ (Watts DC or peak) <sup>(2)</sup>	
Output OFF/disabled level			The output OFF level can be calibrated using trim pots accessible from the top cover only if the digital card is disabled (see PAR. 3.9.1 to disable digital card) and by referring to the applicable Service manual.
	Voltage Mode	$0V \pm (0.01\%)(E_{Omax})V$	
	Current Mode	$0A \pm (0.01\%)(I_{Omax})A$	
Voltage, Analog Programming (V.Mode)	DC Transfer Factor	$(-E_{Omax}/10) V/V$ (default), it can be changed thru rear programming connector to $(+E_{Omax}/10) V/V$	Install components on rear programming connector for a different preamp transfer factor.
	Linearity	0.005% of $E_{Omax}$	Use rear programming connector to configure non-inverting operation.
	FS Tolerance	2% of $E_{Omax}$ with the default preamplifier's network, or 0.02% when using external 0.01% matched pair resistors for the preamplifier	There is no internal calibration for the transfer factor in voltage mode.
	Output Impedance	Model dependent	See Table 1-3 for default d-c transfer factor and output impedance values.
Voltage Static Specifications (V.mode)	Source effect	0.001% of $E_{Omax}$	Input voltage = nominal $\pm 9\%$
	Load effect	0.002% of $E_{Omax}$	No load to $(1.05 \times E_{Omax})/I_{Omax}$
	Time effect (8h)	0.01% of $E_{Omax}$	After 30 minutes of conditioning
	Temp. coefficient	0.01% of $E_{Omax}/^{\circ}C$	Averaged for the operating temperature range.
	Ripple & noise (rms)	the greater of 0.01% of $E_{Omax}$ or 3mV	
Current, Analog Programming (C.mode)	DC Transfer Factor	$(-I_{Omax}/10)A/V$ (default), it can be changed thru rear programming connector to $(+I_{Omax}/10)A/V$	Install components on rear programming connector for a different preamp transfer factor.  Use rear programming connector to configure non-inverting operation.  Transfer factor in current mode has an internal calibration.  See Table 1-3 for d-c current transfer factor and output impedance values.
	Linearity	0.02% of $I_{Omax}$	
	FS Tolerance	0.02% of $I_{Omax}$	
	Output Impedance	Model dependent	

**TABLE 1-1. GENERAL SPECIFICATIONS (CONTINUED)**

SPECIFICATION		RATING/DESCRIPTION <sup>(1)</sup>	CONDITION/COMMENT
(1) Specifications listed for ambient temperature = 20°C and apply to each BOP channel unless otherwise specified. (2) Output power - Sink mode for BOP 5-20 = $E_{Omax} \times I_{Omax}$ (DC or peak).			
Current Static Specifications (C.mode)	Source effect	0.005% of $I_{Omax}$	Input voltage = nominal $\pm 9\%$
	Load effect	0.05% of $I_{Omax}$	Short circuit to $(0.95 \times E_{Omax})/I_{Omax}$
	Time effect (8h)	0.02% of $I_{Omax}$	After 30 minutes of conditioning
	Temp. coefficient	0.02% of $I_{Omax}/^{\circ}C$	Averaged for the operating temperature range.
	Ripple & noise (rms)	0.03% of $I_{Omax}$	
Analog Programming Type			
	Voltage Source	0 to $\pm 10V$ (default) Inverting (default) or Non-inverting	Uses $\pm 10V$ reference applied to Preamp A for voltage mode and Preamp B for current mode via the Rear Programming Connector (see Section 3 for application schematics). Contact factory for preconfigured rear programming connector adapted to specific applications.
	Current Source	Contact factory for details	
	External Resistance	10K Ohms (default)	See Section 3 for application schematics.
Output ON-OFF (enable-disable) Control		Using OUTP ON or OUTP OFF digital remote commands (see Appendix B, PAR. B.20).	Non-isolated 15V-CMOS signal and isolated TTL signal at rear programming connector can only be used if digital option is disabled. (see Table 1-5, for details, see PAR. 3.9.1 to disable digital card).
Voltage Mode/Current Mode Control		Remote TTL non-isolated signal at rear programming connector (see Table 1-5, pin 30 for details)	
Calibration		Using trim-pots.	
Dynamic Specs (V.mode and C mode)		Model dependent	See Table 1-4
Special Dynamic Configurations	Main loop bandwidth reduction	Possible, with changes at rear programming connector, for voltage and/or current	
	Optimized for inductive loads	Models with L suffix	
	Optimized for capacitive loads	Models with C suffix	

**TABLE 1-1. GENERAL SPECIFICATIONS (CONTINUED)**

SPECIFICATION		RATING/DESCRIPTION <sup>(1)</sup>	CONDITION/COMMENT
Voltage/Current Limits (Pos & Neg)	Analog-remote adjustment range	0.2 to 110% of nominal output, using 0V to +10V programming. voltage applied to rear programming connector,	Symmetrical or independent (positive or negative) control. See Section 3 for application schematics.
Analog Readback For Voltage and Current	Range	0 to ±10V, for 0 to ± nominal output	The analog readback signals are available at the rear programming connector.
	Full Scale tolerance	0.02% of nominal monitoring output (10V)	
	Accuracy	0.1% of nominal monitoring output (10V)	
	Max current	1mA	
Kelvin Connection (remote error sensing)		Possible, with max 0.5V/ wire <sup>(3)</sup>	
Local Output Monitoring	Type	Two Digital Panel Meters (D suffix models), one each for output voltage and current	Front panel switch allows meters to show voltage/current for Channel 1 or 2.
	Accuracy	±(0.2% of full scale +2 counts) <sup>(5)</sup>	
Reference Voltages	Value	+10V, -10V	Reference voltages can be used for external analog remote control schemes (see Section 3). They have internal calibration pots.
	Tolerance	±1mV	
	Load Current	4mA max.	
	Source Effect	0.0005%	Input voltage: nominal ±9%
	Load Effect	0.0005%	No load - full load
	Time Effect	0.005%	8 hours after 1/2 hour conditioning
	Temp. Coefficient	0.005%/°C	Averaged for the operating temperature range.
	Front Panel Lights	Channel 1, Channel 2	VOLTAGE MODE/VOLTAGE LIMIT <sup>(4)</sup>
Channel 1, Channel 2		CURRENT MODE/CURRENT LIMIT <sup>(4)</sup>	Lit green when in Current mode Lit yellow when in Current Limit mode
Flag Signals  NOTE: All flags available at rear programming connector (see Table 1-5)	Voltage Mode	Active in when in voltage mode	TTL signal, active "L", non-isolated
	Current Mode	Active in when in Current mode	TTL signal, active "L", non-isolated
	Voltage Limit	Active in when in Voltage limit	TTL signal, active "L", non-isolated
	Current Limit	Active in when in Current limit	TTL signal, active "L", non-isolated
	Output On-off	Output on-off	Not used since independent on-off control function is under digital control.
BOP 2X-DE Front and rear panel controls, indicators and terminals,		Front Panel: See Figure 2-1 and Table 2-1. Rear Panel: See Figure 2-2 and Table 2-2.	

**TABLE 1-1. GENERAL SPECIFICATIONS (CONTINUED)**

SPECIFICATION		RATING/DESCRIPTION <sup>(1)</sup>	CONDITION/COMMENT
(3) For BOP 5-20D: 0.25V/wire max. (4) Front panel lights always active for both channel 1 and channel 2, regardless of channel selection for meter display. (5) E.g, for a channel rated at 100V, at rated output the digital voltmeter reads $100.0V \pm (0.002 \times 100 + 0.2)V = 100.0V \pm 0.4V$ . For a channel rated at 20A, at rated output the digital ammeter reads $20.0A \pm (0.002 \times 20 + 0.2)A = 20.0A \pm 0.2A$ .			
Series Or Parallel Configurations of BOP channels	Type of connection	Automatic or Master-Slave	For implementation and limitations, see PAR. 3.9.1 for series configurations and PAR. 3.9.3 for parallel configurations
	Implementation	Configured by external wiring at rear programming connectors	
Protections		(a) Input overcurrent, with 110% threshold (b) Heat-Sink overtemperature (c) Channels or Multiple units interlock (d) Input power loss	Trips Input circuit breaker. Tripping of the circuit breaker for input power loss can be disabled by a modification to the rear programming connector (see PAR. 3.9.2).
Temperature	Operating	0 to +55° C	BOP 2X-DE
	Storage	-40 to +85° C	BOP 2X-DE
Humidity		0 to 95% RH	BOP 2X-DE, Non-condensing
Shock		20g/11ms/50% half sine	BOP 2X-DE, Non-operating
Vibration	5-10Hz	10mm, double amplitude	BOP 2X-DE, Non-operating
	10-55Hz	2g	
Altitude		Sea level to 10,000ft	BOP 2X-DE, For operating temperature range
Cooling	Type	BOP 2X-DE 200W, 400W: 1 fan per channel	Minimum 1U between stacked units.
	Air Flow	Front to rear	
	Air Intake	top, bottom, side	
Dimensions	BOP 2X-DE (200W, 400W)	5.22" H x 19" W x 26" D (132.6mm H x 482.6mm W x 558.8mm D)	
Weight	BOP 2X-DE 200W BOP 2X-DE 400W	80 lbs (36.3 kg) 90 lbs (40.8 kg)	Unpacked
Connections	BOP 2X-DE Source	3-pin IEC connector	
	Load (power and sense) Grounding, GND network	Rear: 6-pin terminal block	
	Analog control	50-pin rear programming connector	



**TABLE 1-2. INPUT SPECIFICATIONS PER CHANNEL**

MODEL (1)	INPUT CURRENT (2) (A)	ACTIVE INPUT POWER (2) (W)	POWER FACTOR (2)	EFFICIENCY (2) (%)
100 WATTS				
BOP 2X5-20DE	4.7	460	0.84	22
BOP 2X20-5DE	2.9	270	0.81	37
BOP2X 50-2DE	2.9	270	0.81	37
BOP 2X100-1DE	2.9	270	0.81	37
200 WATTS				
BOP 2X5-30DE	6.4	640	0.87	24
BOP 2X20-10DE	5.5	540	0.85	37
BOP 2X36-6DE	5.1	490	0.84	44
BOP2X 50-4DE	4.8	450	0.82	44
BOP 2X72-3DE	5.1	470	0.80	46
BOP 2X100-2DE	4.8	450	0.82	44
(1) Models with digital meters include suffix D. (2) Specifications listed are per channel for Input @ 115V, 60Hz sourcing nominal power.				

**TABLE 1-3. OUTPUT RANGES, TRANSFER FACTOR AND OUTPUT IMPEDANCE PER CHANNEL**

MODEL (1)	DC OR PEAK (2) OUTPUT RANGES		DC OR PEAK (2) OUTPUT POWER		d-c CLOSED LOOP (2) GAIN		OUTPUT IMPEDANCE (2) (3)			
	E <sub>O</sub> MAX. V	I <sub>O</sub> MAX A	SOURCE W	SINK W	VOLTAGE CHANNEL G <sub>V</sub> (V/V)	CURRENT CHANNEL G <sub>I</sub> (A/V)	VOLTAGE MODE		CURRENT MODE	
							SERIES R mΩ	SERIES L mH	SHUNT R kΩ	SHUNT C μF
100 WATTS										
BOP 2X5-20DE	0 to ±5	0 to ±20	100	100	0.5	2.0	0.01	0.004	5.0	0.3
BOP 2X20-5DE	0 to ±20	0 to ±5	100	50	2.0	0.5	0.08	0.02	40	0.05
BOP2X 50-2DE	0 to ±50	0 to ±2	100	50	5.0	0.2	0.5	0.1	50	0.05
BOP 2X100-1DE	0 to ±100	0 to ±1	100	50	10.0	0.1	2.0	0.2	100	0.05
200 WATTS										
BOP 2X5-30DE	0 to ±5	0 to ±30	150	75	0.5	3.0	0.01	0.004	5.0	0.5
BOP 2X20-10DE	0 to ±20	0 to ±10	200	100	2.0	1.0	0.04	0.05	20	0.1
BOP 2X36-6DE	0 to ±36	0 to ±6	216	108	3.6	0.6	0.12	0.05	36	0.1
BOP2X 50-4DE	0 to ±50	0 to ±4	200	100	5.0	0.4	0.25	0.1	50	0.05
BOP 2X72-3DE	0 to ±72	0 to ±3	216	108	7.2	0.3	0.48	0.2	72	0.05
BOP 2X100-2DE	0 to ±100	0 to ±2	200	100	10.0	0.2	1.0	0.2	100	0.05

(1) Models with digital meters include suffix D.

(2) Specifications listed are per channel.

(3) Output impedance is for basic models with D suffix. For models with L or C options (DL or DC suffix) see applicable Modification Sheets available from Kepco's website at <http://www.kepcopower.com/support/opmanis.htm#bop>

**TABLE 1-4. OUTPUT DYNAMIC SPECIFICATIONS PER CHANNEL**

MODEL (1) (7)	3dB BANDWIDTH (2) (3)		RISE & FALL TIME (2) (4)		SLEW RATE (2) (5)		RECOVERY A T STEP LOAD (2) (6)	
	KHz		10%-90% μsec		(average)		μsec	
	Mode		Mode		Mode		Mode	
	V	I	V	I	V V/μsec	I A/μsec	V	I
<b>100 WATTS</b>								
BOP 2X5-20DE	11	5	40	70	0.2	0.46	40	100
BOP 2X20-5DE	17	13	20	30	1.6	0.27	25	10
BOP2X 50-2DE	17	13	20	30	4.0	0.11	25	10
BOP 2X100-1DE	18	11	17	22	9.4	0.07	40	25
<b>200 WATTS</b>								
BOP 2X5-30DE	12	7	30	54	0.27	0.9	50	80
BOP 2X20-10DE	17	7	20	60	1.6	0.27	80	20
BOP 2X36-6DE	15	14	23	27	2.5	0.61	50	35
BOP2X 50-4DE	15	11	14	25	5.7	0.26	40	30
BOP 2X72-3DE	17	12	18	26	6.4	0.18	30	30
BOP 2X100-2DE	17	12	18	26	8.9	0.12	30	30
(1) Models with digital meters include suffix D. (2) Specifications listed are per channel for Input @ 115V, 60Hz. (3) Represents 3-dB bandwidth for large sine signal for nominal resistive load/peak output voltage value @ 50Hz, equal to $E_{Omax}$ in V mode and for short circuit/peak output current @ 50Hz, equal to $I_{Omax}$ in I mode. (4) Represents the response timing of the pulsed output (@ 100Hz) for nominal resistive load/between $\pm E_{Omax}$ in V mode and for short circuit/between $\pm I_{Omax}$ in I mode. (5) Defined as the ratio between $(1.6)(E_{Omax})$ or $(1.6)(I_{Omax})$ and the corresponding rise/fall time for the same conditions described in Note (4) above. (6) Represents the 10-90% timing of a changing output when the load is switched between no load and nominal resistive load in V mode and between short circuit and nominal resistive load in I mode. (7) Dynamic specifications are for basic models with D suffix. For models with L or C options (DL or DC suffix) see applicable Modification Sheets available from Kepco's website at <a href="http://www.kepcopower.com/support/opmanls.htm#bop">http://www.kepcopower.com/support/opmanls.htm#bop</a>								

**1.5 MISCELLANEOUS FEATURES**

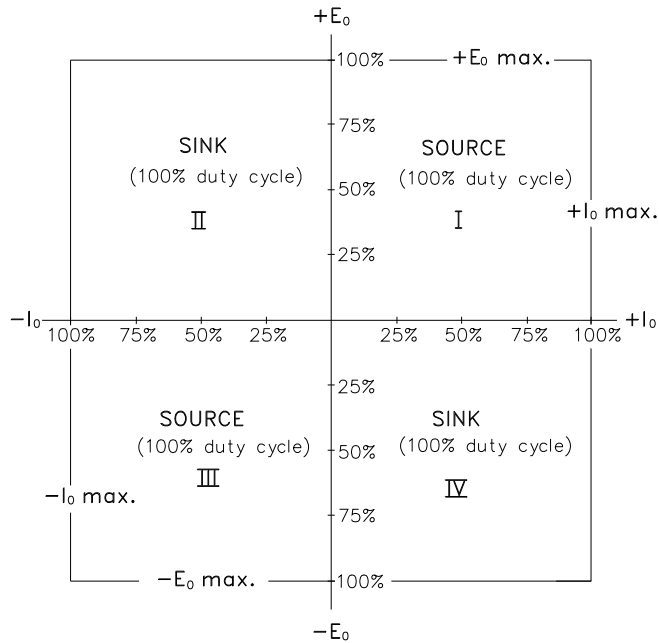
**1.5.1 OUTPUT RANGE**

Each BOP channel can be remotely programmed, from (-)100% to (+)100% of its specified d-c voltage and current range. The Class AB bipolar output stage permits operation as either a *source* or a *sink*. (See Figure 1-2).

NOTE: The BOP is operating as a *source* if the direction of its output voltage is the same as the direction of its output current. The BOP is operating as a *sink* if the direction of its output voltage is opposite that of its output current. An illustrative case is shown in Figure. 1-3, where the BOP is programmed to deliver a sine wave output and where the load produces a phase shift between the output voltage and current.

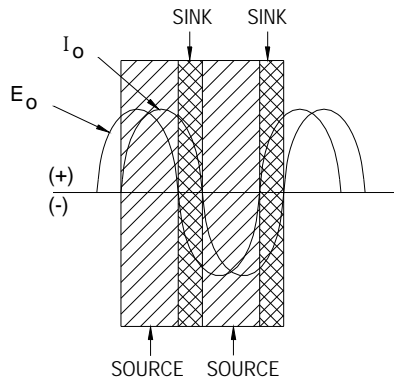
## 1.5.2 REAR PROGRAMMING FEATURES

The external Rear Programming Connector (See Table 2-2, Items 22 and 23 and Figure 4-5), is a 50-pin edge connector, providing access to all circuit features. The BOP 2X-DE is delivered with two (2) PC 15 connectors, one for each channel, which are prewired with jumpers used for standard operating schemes as described in Section 3, while allowing the user to adapt the configuration to fit other application needs. Spare connectors may be purchased from Kepco under the model number PC 12 for the unwired connector and PC 15 for a generically wired connector. The functions of the Rear Programming Connector terminals are listed below in Table 1-5. Contact Kepco for Rear Programming Connectors prewired for specific functions described in Section 3.



3043872

FIGURE 1-2. BOP CHANNEL OUTPUT CHARACTERISTIC



3043440

FIGURE 1-3. BOP OUTPUT WAVEFORMS WITH PHASE SHIFT

**TABLE 1-5. REAR PROGRAMMING CONNECTOR (1 PER CHANNEL) TERMINAL FUNCTIONS**

TERMINAL (Figure 4-5)	FUNCTION	DESCRIPTION
1	Current Limit Reference	Not used with digital card enabled.
3	Voltage Limit Reference	Not used with digital card enabled.
15 13 2 4	<p>Preamp "B"</p>	Not used with digital card enabled.
11 9 5 7	<p>Preamp "A"</p>	Not used with digital card enabled. NOTE: A1R23 = 2.5K for 5V models, 10K for all others
6	+E <sub>O</sub> Limit Input	Not used with digital card enabled.
8	+I <sub>O</sub> Limit Input	Not used with digital card enabled.
32	-E <sub>O</sub> Limit Input	Not used with digital card enabled.
34	-I <sub>O</sub> Limit Input	Not used with digital card enabled.
10	Current Monitoring	Analog output voltage (0 to ±10V, 1 mA max) proportional to the prevailing BOP output current for remote metering or monitoring.
20	Voltage Monitoring	Analog output voltage (0 to ±10V, 1 mA max) proportional to the prevailing BOP output voltage.
12, 14	Voltage Mode Compensating Terminals	Refer to PAR. 1.5.4
16, 18	Current Mode Compensating Terminals	Refer to PAR. 1.5.4
17	Voltage Comparison Amp Input	Analog input voltage of 0 to ±10V will produce 0 to ± full output voltage with unit set in voltage mode.
19	Current Comparison Amp Input	Analog input voltage of 0 to ±10V will produce 0 to ± full output current with unit set in current mode.
21	On-off Controlling Logic	<p>NOTE: For use only if digital card is disabled (see PAR. 3.9.1). Establishes whether TTL "1" or "0" applied to pin 50, referenced to pin 48 turns the output on or off.</p> <p>No signal (default) or "1" (15V CMOS): "0" = ON, "1" = OFF "0" or short to pin 23: "1" = ON, "0" = OFF</p> <p>If no signal is applied between pin 50 and pin 48, pin 21 can be used as a non-isolated on-off control: no signal or "1" (15V CMOS) = output ON "0" or short to pin 23 = output OFF</p>
22	-10V Reference Voltage 4mA Max	Not used with digital card enabled.
28	+10V Reference Voltage 4mA Max	Not used with digital card enabled.
23, 25, 27, 29, 31, 33	Sensing Common	
24	Circuit Breaker Control	Refer to PAR, 3.9.2
26, 36	Turn-off Signal Output	Refer to PAR, 3.9.2

**TABLE 1-5. REAR PROGRAMMING CONNECTOR (1 PER CHANNEL) TERMINAL FUNCTIONS (CON-**

TERMINAL (Figure 4-5)	FUNCTION	DESCRIPTION
30	Voltage Mode/Current Mode control	NOTE: For use only if digital card is disabled (see PAR. 3.9.1). Used to set either voltage mode or current mode Voltage mode = open or TTL "1" Current mode = short (referenced to sensing common, pin 23) or TTL "0"
35	Local/Digital Remote control	For use only if digital card is disabled (see PAR. 3.9.1).
37	+5V	Built-in TTL Logic supply, 5V @ 40mA max.
38	I <sub>O</sub> Limit Flag	Not used with digital card enabled.
39	E <sub>O</sub> Limit Flag	Not used with digital card enabled.
40	E <sub>O</sub> Mode Flag	Not used with digital card enabled.
42	I <sub>O</sub> Mode Flag	Not used with digital card enabled.
41	Non-isolated Turn-off Signal Input	Refer to PAR, 3.9.2
43, 44, 45	Not Used.	
46	/ON-OFF_FLAG	NOTE: For use only if digital card is disabled (see PAR. 3.9.1). Flags whether output set to ON or OFF. This isolated flag signal is the open collector of an optocoupler-transistor, with the emitter connected to pin 48. Optocoupler transistor is saturated when the output is ON (enabled). Current through the transistor should not exceed 1.6mA and supply voltage should not exceed 24V. OFF level: determined by (Vext) - (Rext) (Icoff) where: Vext = External positive voltage Rext = Vext/1.6mA (External current-limiting resistor). Icoff = 0.0001mA (optocoupler transistor maximum dark current) The flag's rise time for either voltage mode with no load, or current mode with short circuit, is within 150μS max. ON level: +0.4V max. for 1.6mA current. The flag's fall time for either voltage mode with no load, or current mode with short circuit, is within 150μS max.
47, 49	Optically Isolated Turn-off Signal Input	Refer to PAR, 3.9.2
48	ISO_GND	Return for ON-OFF_CTRL and for /ON_OFF_FLAG signals.
50	ON-OFF_CTRL	NOTE: For use only if digital card is disabled (see PAR. 3.9.1). Optically isolated signal that controls output to be either ON (enabled) or OFF (disabled). The logic of the control is established by pin 21 (see above). If pin 21 is not used (default status), the control levels for pin 50 are defined as follows: ON control (default): 0V to 0.4V or no connection (open circuit) at pin 50, referenced to pin 48. Turns ON within 100μS max (between 10% point of controlling signal and a) 10% point of output voltage for voltage mode with no load or b) 10% point of output current for current mode with short circuit). OFF control (default): 3.5V to 24V d-c at pin 50 referenced to pin 48; input current is 1mA ±0.3mA. Turns OFF within 100μS max (between 90% point of controlling signal and a) 90% point of output voltage for voltage mode with no load or b) 90% point of output current for current mode with short circuit).

### 1.5.3 REMOTE ON-OFF FEATURE

While digital control is active, output ON-OFF (Enable- Disable) control is performed remotely by the corresponding OUPN ON or OUPN OFF digital command (see PAR B.20). If the digital card is disabled, refer to the BOP 2X-D Operator Manual for details regarding the remote ON-OFF control feature. The BOP 2X-D Operator Manual is available on the Kepco web site at:

[www.kepcopower.com/support/opman1s.htm#bop-2x](http://www.kepcopower.com/support/opman1s.htm#bop-2x)

### 1.5.4 LOAD REACTANCE

#### 1.5.4.1 DRIVING AN INDUCTIVE LOAD IN CURRENT MODE

BOP power supplies with option L (L suffix) are optimized for driving large inductor loads. Factory test were performed with loads up to 1H, however higher values are possible.

For basic units (without L suffix) when driving inductive loads higher than 0.5mH, the system may become unstable. There are two means of eliminating oscillation in the current loop operating with moderate inductive loads and moderate voltage and current:

1. Add capacitance in parallel with the output (inductive load). The value of capacitor can be from 0.1  $\mu$ F to 1.0  $\mu$ F depending on the value of the load inductance.

2. Add a series-connected resistor-capacitor network in parallel with the BOP output/inductive load. The value of resistor should be in the range of 100 to 500 Ohms and the value of capacitor should be 0.1  $\mu$ F to 0.5  $\mu$ F, depending on the load inductance value.

Both options are recommended when the BOP is used with very low frequency output into inductive loads.



**CAUTION:** When driving heavy inductive loads with high currents, it is possible for the BOP and the load to be damaged by an A-C input power loss which prevents the load's stored energy from being dissipated inside the BOP. To avoid possible damage from the inductance kick-back voltage observe the following:

- Use UPS to supply the BOP.
- Set BOP output current and/or voltage to zero and turn off the BOP after the output current actually reaches a zero value.
- Use properly rated (voltage and current) bipolar transorbs or a properly rated bipolar crowbar element connected directly at the output of the BOP. An alternative is a Normally-Closed Contactor connected across the output of the BOP that will be controlled open during normal operation. The coil of the contactor will be supplied from the same input power source as the BOP. These options may also be combined.

For both basic (without L suffix) and L suffix units, if the system becomes unstable at the cross-over between voltage limit mode and current mode when driving an inductive load, the power supply can be further optimized by reducing the current loop bandwidth. This can be accomplished by connecting a ceramic capacitor across pins 16 and 18 of the Rear Programming Connector (see Figure 4-5 and Table 1-5). The value of the capacitor is correlated to the load's inductance. A value in the range of 0.0022 $\mu$ F to 0.1 $\mu$ F is recommended.

#### **1.5.4.2 DRIVING A CAPACITIVE LOAD IN VOLTAGE MODE**

BOP power supplies with option C (C suffix) are optimized for driving large capacitive loads (e.g., solar panels and solar cells). Factory test were performed with loads up to 10mF, however higher values are possible.

For basic units (without C suffix) the system can become unstable when driving a capacitive load higher than 0.2 $\mu$ F in voltage mode. Install an external ceramic capacitor rated for 50V across pins 12 and 14 of the rear programming connector for stable operation. This capacitor will reduce the voltage loop bandwidth. The value of the capacitor is correlated to the load's capacitance. A value in the range of 0.0047 $\mu$ F to 0.47 $\mu$ F is recommended. This method can also be used for C suffix models if the system becomes unstable at the crossover between voltage mode and current limit mode.

#### **1.5.5 REMOTE TURN-OFF**

Remote turn-off of the BOP, equivalent to tripping the front panel ON-OFF circuit breaker to OFF, can be accomplished by a contact closure, or by an optically isolated signal (see PAR. 3.9.2).

#### **1.5.6 CIRCUIT BREAKER SHUTDOWN PREVENTION (AT POWER LOSS) CIRCUIT**

See PAR. 3.9.2.

#### **1.5.7 REFERENCES**

While the digital card is enabled, the  $\pm 10V$  references can not be used.

#### **1.5.8 SERIES OR PARALLEL OPERATION**

See PAR. 3.9

#### **1.5.9 MODE SETTING**

While the digital card is enabled, the mode of operation, either voltage or current, is established by the FUNC:MODE digital remote command (see PAR. B.22).

#### **1.5.10 VOLTAGE CONTROL LOOP**

Each channel's voltage loop is controlled by the corresponding reference generated by the digital card. The voltage limit references are fixed at approximately 10% above the nominal output voltage. The current limit references are accessible for remote digital programming using the CURR command while in voltage mode (See PAR. B.48).

#### **1.5.11 CURRENT CONTROL LOOP**

Each channel's current loop is controlled by the corresponding reference generated by the digital card. The current limit references are fixed at approximately 10% above the nominal output current. The voltage limit references are accessible for remote digital programming using the VOLT command while in current mode (See PAR. B.57).

**1.5.12 MODE LIGHTS**

Four (4) front panel (LED type) indicator lamps (two (2) for each channel) monitor the prevailing operating mode of the two BOP channels. These bicolor LEDs are always active, regardless of the position of the Channel 1/Channel 2 selector switch for meter displays. For each operating condition (Voltage Mode,  $\pm$ Voltage Limit, Current Mode,  $\pm$ Current Limit the corresponding indicator lamp energizes: green for Voltage mode or Current Mode, yellow for Voltage Limit or Current Limit.

**1.5.13 STANDARDS**

BOP models are designed and tested in accordance with NEMA Standard for Stabilized Power Supplies, d-c output, Publication No. PY-1.1972.

**1.6 MECHANICAL SPECIFICATIONS**

See Mechanical Outline Drawing, Figure 1-4 for dimensions and finish.

**1.7 EQUIPMENT SUPPLIED**

Equipment supplied is listed in Table 1-6.

**TABLE 1-6. EQUIPMENT SUPPLIED**

ITEM	PART NUMBER	QUANTITY
Rear Programming Connector (Local Control) - 50-terminal printed circuit connector for all rear programming connections and flag-signal outputs, wired for local (front panel) control of the BOP output.	PC 15	2
Power Cord, IEC connection to standard 115 VAC (USA),	118-0557	1
Mounting Flanges - for installation of the BOP into a standard (19 inch) equipment rack	Right	1
	Left.	1

**1.8 ACCESSORIES**

Accessories (not supplied) are listed in Table 1-7.

**TABLE 1-7. ACCESSORIES - NOT SUPPLIED**



ITEM	FUNCTION	KEPCO PART NUMBER
Rear Programming Connector, Unwired	50-terminal printed circuit connector, unwired, for access to all rear programming connections and flag-signal outputs.	PC 12
Slides	Ease of access to adjustments through top cover	110 QD (Jonathan)



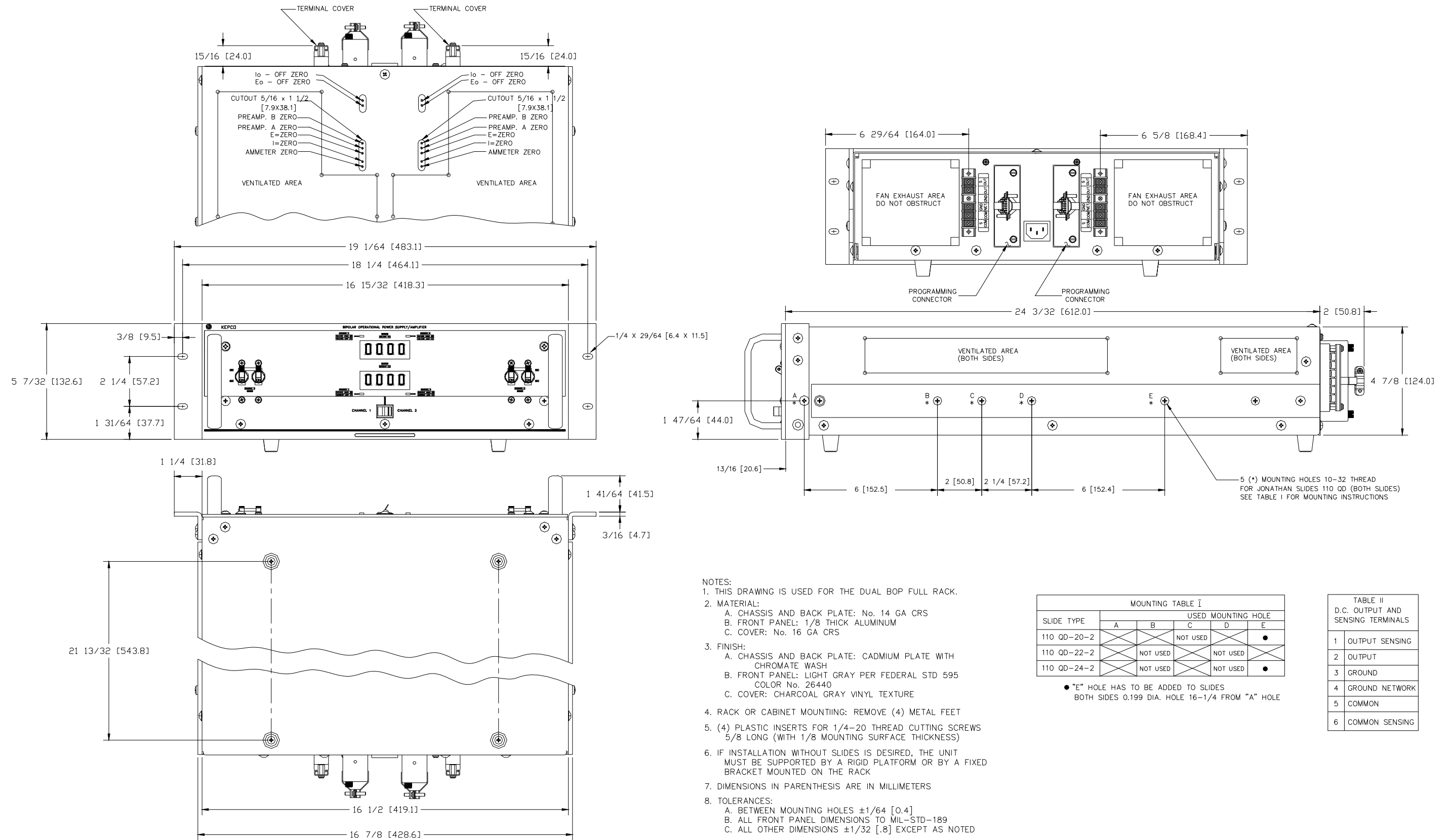
## 1.9 SAFETY

Service must be referred to authorized personnel. Using the power supply in a manner not specified by Kepco. Inc. may impair the protection provided by the power supply. Observe all safety precautions noted throughout this manual. Table 1-8 lists symbols used on the power supply or in this manual where applicable.

**TABLE 1-8. SAFETY SYMBOLS**

<b>SYMBOL</b>	<b>Meaning</b>
	WARNING! RISK OF ELECTRIC SHOCK!
	CAUTION: REFER TO REFERENCED PROCEDURE.
WARNING	INDICATES THE POSSIBILITY OF BODILY INJURY OR DEATH.
CAUTION	INDICATES THE POSSIBILITY OF EQUIPMENT DAMAGE.





- NOTES:
- THIS DRAWING IS USED FOR THE DUAL BOP FULL RACK.
  - MATERIAL:
    - A. CHASSIS AND BACK PLATE: No. 14 GA CRS
    - B. FRONT PANEL: 1/8 THICK ALUMINUM
    - C. COVER: No. 16 GA CRS
  - FINISH:
    - A. CHASSIS AND BACK PLATE: CADMIUM PLATE WITH CHROMATE WASH
    - B. FRONT PANEL: LIGHT GRAY PER FEDERAL STD 595 COLOR No. 26440
    - C. COVER: CHARCOAL GRAY VINYL TEXTURE
  - RACK OR CABINET MOUNTING: REMOVE (4) METAL FEET
  - (4) PLASTIC INSERTS FOR 1/4-20 THREAD CUTTING SCREWS 5/8 LONG (WITH 1/8 MOUNTING SURFACE THICKNESS)
  - IF INSTALLATION WITHOUT SLIDES IS DESIRED, THE UNIT MUST BE SUPPORTED BY A RIGID PLATFORM OR BY A FIXED BRACKET MOUNTED ON THE RACK
  - DIMENSIONS IN PARENTHESIS ARE IN MILLIMETERS
  - TOLERANCES:
    - A. BETWEEN MOUNTING HOLES  $\pm 1/64$  [0.4]
    - B. ALL FRONT PANEL DIMENSIONS TO MIL-STD-189
    - C. ALL OTHER DIMENSIONS  $\pm 1/32$  [.8] EXCEPT AS NOTED

SLIDE TYPE	MOUNTING TABLE I				
	USED MOUNTING HOLE				
	A	B	C	D	E
110 QD-20-2	X	X	NOT USED	X	●
110 QD-22-2	X	NOT USED	X	NOT USED	X
110 QD-24-2	X	NOT USED	X	NOT USED	●

● "E" HOLE HAS TO BE ADDED TO SLIDES BOTH SIDES 0.199 DIA. HOLE 16-1/4 FROM "A" HOLE

TABLE II D.C. OUTPUT AND SENSING TERMINALS	
1	OUTPUT SENSING
2	OUTPUT
3	GROUND
4	GROUND NETWORK
5	COMMON
6	COMMON SENSING

FIGURE 1-4. MECHANICAL OUTLINE DRAWING, (BOP 2X-DE SERIES MODELS)

3010323



## SECTION 2 - INSTALLATION

### 2.1 UNPACKING AND INSPECTION.

This instrument has been thoroughly inspected and tested prior to packing and is ready for operation. After careful unpacking, inspect for shipping damage before attempting to operate. Perform the preliminary operational check as outlined in PAR. 2.13. If any indication of damage is found, file an immediate claim with the responsible transport service.

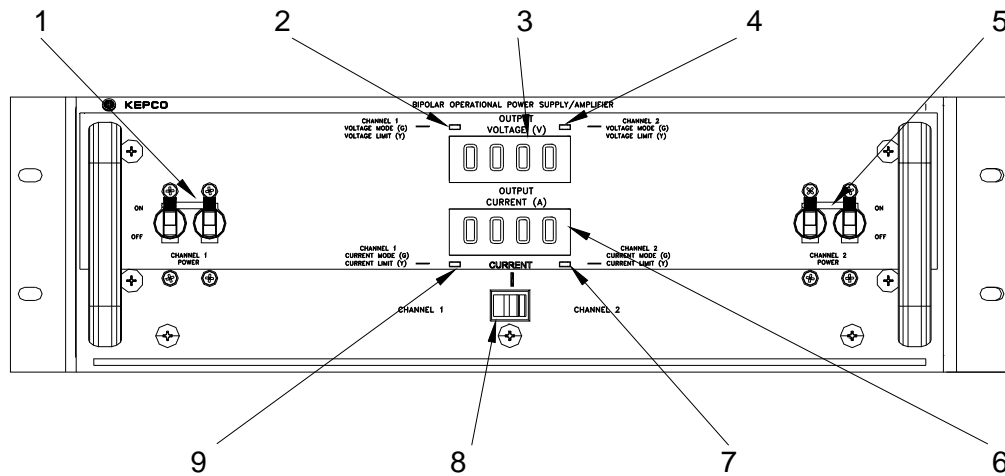
### 2.2 TERMINATIONS, CONTROLS AND INDICATORS

- a) Front Panel: Refer to Figure 2-1. See Table 2-1 for an explanation of controls and indicators.
- b) Rear Panel: Refer to Figure 2-2 and Table 2-2 for an explanation of terminations.

**TABLE 2-1. BOP 2X-DE FRONT PANEL CONTROLS AND INDICATORS**

FIG. 2-1 INDEX NO.	NAME OF TERMINATION OR CONTROL	FUNCTION
1	A-C POWER circuit breaker for Channel 1	A-C circuit breaker/power switch for Channel 1
2	VOLTAGE MODE/ VOLTAGE LIMIT indicator for Channel 1	Lights green when channel 1 is in voltage mode. Lights yellow when channel 1 is in voltage limit.
3	VOLTAGE meter	Digital output voltmeter displays d-c output voltage in Volts for Channel 1 or Channel 2 as determined by Channel 1/Channel 2 selector switch
4	VOLTAGE MODE/ VOLTAGE LIMIT indicator for Channel 2	Lights green when channel 2 is in voltage mode. Lights yellow when channel 2 is in voltage limit.
5	A-C POWER circuit breaker for Channel 2	A-C circuit breaker/power switch for Channel 2
6	CURRENT meter	Digital output current meter displays d-c output current in Amperes for Channel 1 or Channel 2 as determined by Channel 1/Channel 2 selector switch
7	CURRENT MODE/ CURRENT LIMIT indicator for Channel 2	Lights green when channel 2 is in current mode. Lights yellow when channel 2 is in current limit.
8	Channel 1/Channel 2 Meter select switch	Determines whether digital VOLT and CURRENT meters display output voltage and current, respectively, for Channel 1 or Channel 2.
9	CURRENT MODE/ CURRENT LIMIT indicator for Channel 1	Lights green when channel 1 is in current mode. Lights yellow when channel 1 is in current limit.

NOTE:  
See Table 2-1  
for functions.

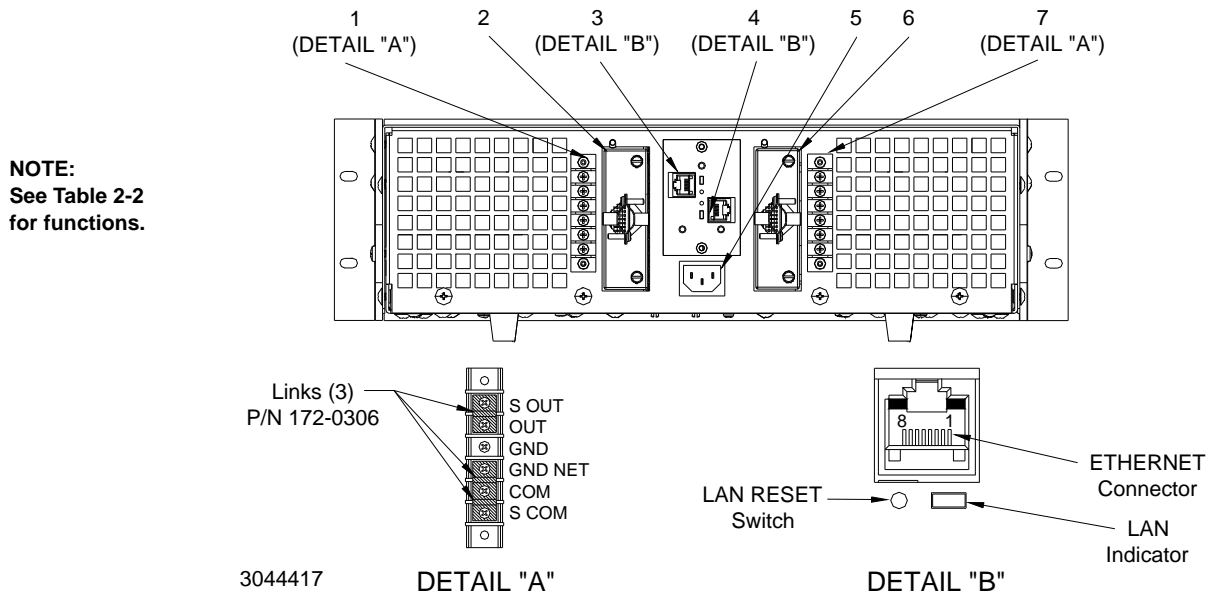


3044255

FIGURE 2-1. BOP 2X-DE CONTROLS AND INDICATORS, FRONT PANEL

TABLE 2-2. BOP 2X-DE REAR PANEL TERMINATIONS AND CONTROLS

FIG. 2-2 INDEX NO.	NAME OF TERMINATION OR CONTROL	FUNCTION
1	REAR TERMINALS Channel 2	Rear barrier strip for channel 2 with output, output sensing, common, common sensing, grounding network and chassis ground terminals.
2	PC 15 for Channel 2	Rear Programming Connector for Channel 2. See Table 1-5 for details. NOTE: Unwired connector (PC 12) is available as an accessory (see Table 1-7).
3	CH 2: BOP 2X-DE: LAN Port	LAN Port for Channel 2. The ethernet connector is used to connect channel 1 to a Microsoft Windows-based computer: pins 1 and 2 are Transmit (+) and (-), respectively, pins 7 and 8 are Receive (+) and (-), respectively, pins 3 through 6 are not used. The LAN Reset switch is used to restore the LAN interface the default conditions. (see PAR. ???). The LAN indicator is on when the LAN interface has been properly initialized. The LAN indicator can be used to ensure that the proper unit is selected (see PAR. ???).
4	CH 1: BOP 2X-DE: LAN Port	LAN Port for Channel 1. Same as index no. 3, Figure 2-2, for channel 2.
5	P201	A-C power input jack accepts 3-wire line cord (supplied) to supply input power to both channels 1 and 2.
6	PC 15 for Channel 1	Rear Programming Connector for Channel 1. See Table 1-5 for details. NOTE: Unwired connector (PC 12) is available as an accessory (see Table 1-7).
7	REAR TERMINALS Channel 1	Rear barrier strip for channel 1 with output, output sensing, common, common sensing, grounding network and chassis ground terminals.

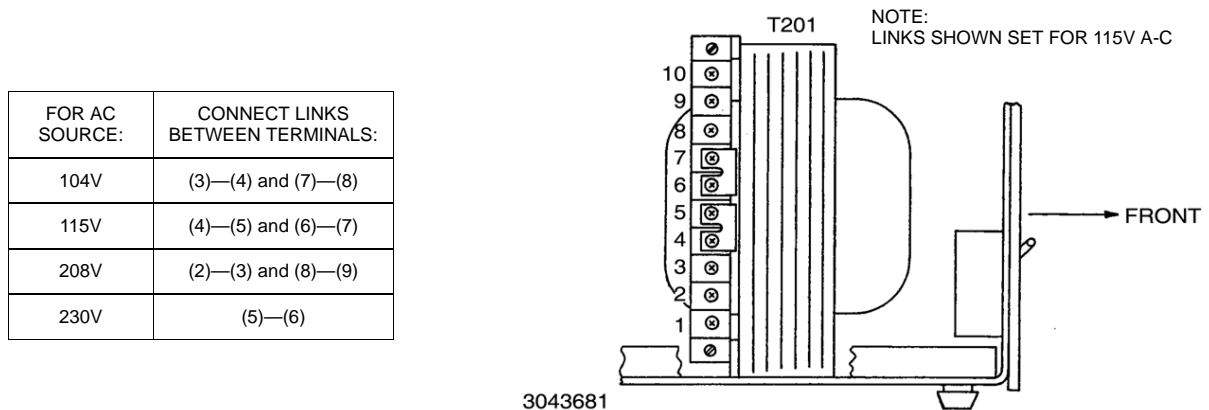


**FIGURE 2-2. BOP 2X-DE TERMINATIONS AND CONTROLS, REAR PANEL**

### 2.3 A-C INPUT REQUIREMENTS

Each channel is shipped wired for operation on a single phase, nominal 115V a-c line. For operation on other a-c source voltages, refer to FIG. 2-3. Determine your prevailing nominal source voltage and change the links on the barrier strip of main transformer T201 for both channel 1 and channel 2 according to the table provided in FIG. 2-3. The on-off circuit breakers for channels 1 and 2 remain equally effective at all input voltages.

**CAUTION:** Both channels of the BOP 2X-DE **MUST** be configured to use the same input voltage.



**FIGURE 2-3. A-C SOURCE VOLTAGE SELECTION, EACH CHANNEL**

### 2.4 COOLING

The components in the BOP power supply rely on forced air cooling for the maintenance of their operating temperature. Side panel openings and the top of the case must be kept clear from all obstructions to ensure air circulation. Periodic cleaning of the interior of the power supply is rec-

ommended. If the BOP is rack-mounted or installed into confined spaces, care must be taken that the ambient temperature (the temperature immediately surrounding the power supply) does not rise above 55°C (~131°F).

## 2.5 PRELIMINARY CHECKOUT



**CAUTION:**The PC 15 connector must be connected for the unit to operate.

A simple operating check after unpacking, and before permanent installation, is advisable to ascertain whether the BOP has suffered damage in shipment. Refer to Figures 2-1 and 2-2 and Tables 2-1 and 2-2 for the location and function of the operating controls and terminals.

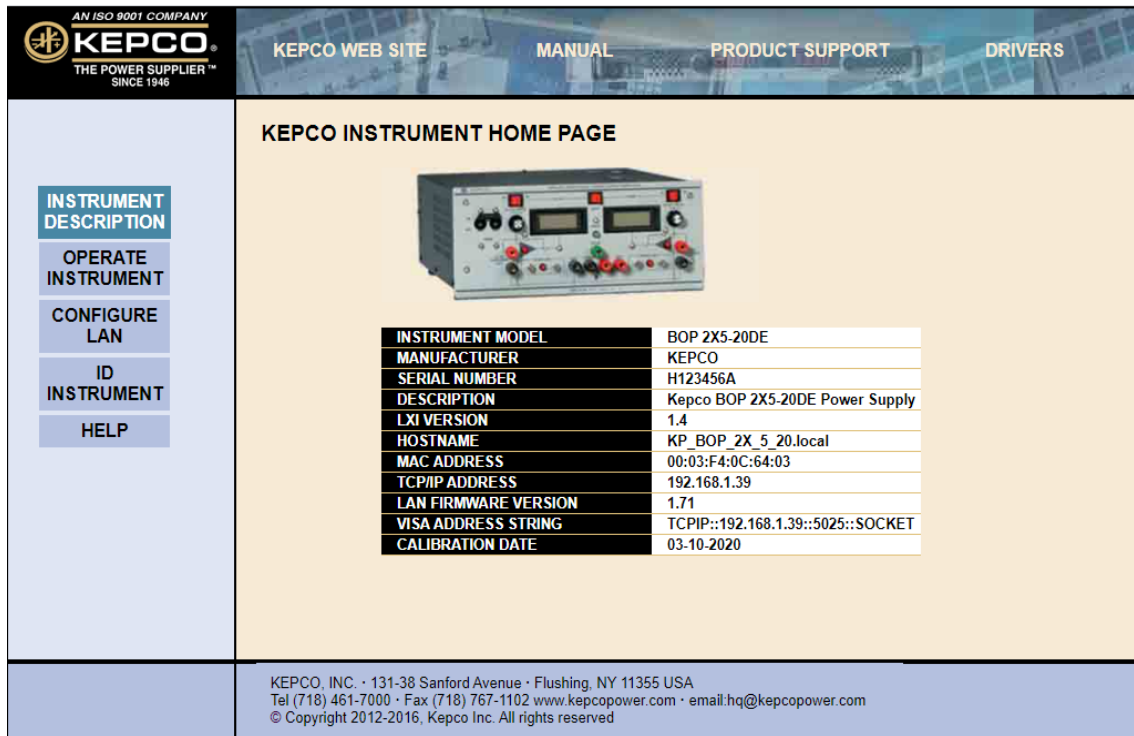
- Refer to PAR. 2.5.1 and perform the preliminary checkout using the LAN interface.

### 2.5.1 PRELIMINARY CHECKOUT USING LAN INTERFACE

Proceed as follows:

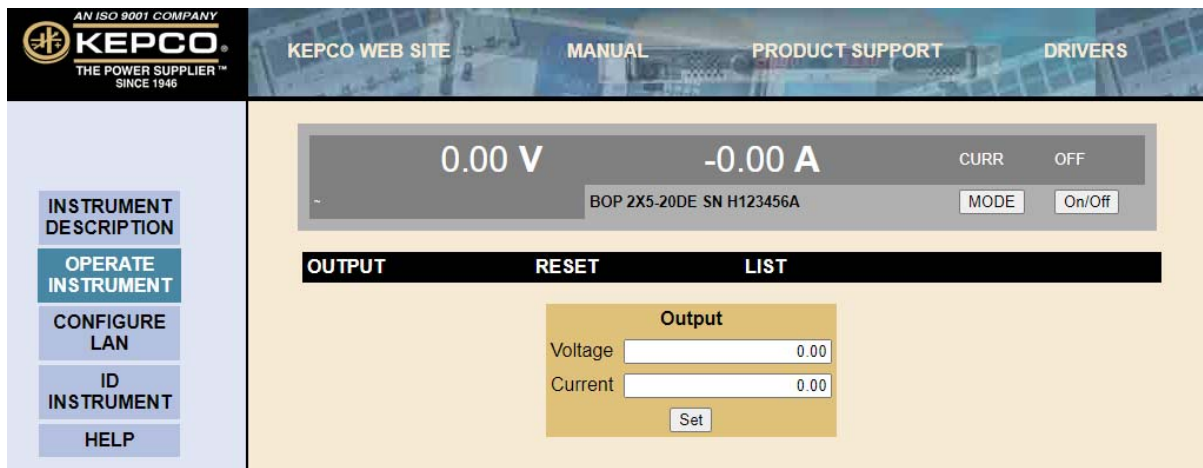
1. Install PC 15 rear panel programming connector at rear panel of channel under test (see Figure 2-2). This is required for proper operation of the channel under test.
2. Set the CHANNEL 1 - CHANNEL 2 selector switch to CHANNEL 1.
3. Refer to Safety instructions (see safety precautions,, PAR. ) and connect channel to 115V a-c source; see PAR 2.3 for different source voltage.
4. Connect the BIT 802E Interface Card of the selected channel to a Microsoft Windows-based computer via the LAN port (see 4, Figure 2-2 for channel 1 or 3, Figure 2-2 for channel 2). Use either a standard ethernet cable if using a router or hub, or a crossover LAN cable if connecting the BIT 802E directly to a computer. The BIT 802E is not Auto-MDI-X enabled and requires the crossover cable for direct connection.
5. Set the a-c POWER switch for channel under test to ON. **CAUTION: DO NOT repeatedly toggle the POWER on/off switch as this may cause channel to fault.** The BIT 802E LAN indicator of the selected channel will blink while searching for a valid IP address, then stay on continuously when found. If the LAN indicator is off, a valid IP address was not found. NOTE: If actuator does not lock when released, wait a few seconds before trying again. The circuit breaker is "trip-free;" if overload exists, contacts cannot be held closed by actuator.
6. Using a thin tool (e.g., the end of a paper clip), press then release the LAN Reset pushbutton switch of the channel under test (see Figure 2-2). The LAN indicator will blink briefly, then remain on.
7. Locate the channel under test (BOP/BIT) using the PS Find utility as specified in PAR. 3.3.2
8. From the PS Find screen (Figure 2-6) highlight a found unit and click Launch Web page to view the Instrument Home page (Figure 2-4). Verify the model is correct, matching the voltage and current of the BOP channel in use. The serial number of channel 1 ends in A, channel 2 ends in B. To verify the correct unit/channel has been selected, click ID INSTRUMENT at the left of the Instrument Home page. This causes the LAN indicator of the selected channel on the BOP 2X-DE rear panel to blink (see Figure 2-2).





**FIGURE 2-4. INSTRUMENT HOME PAGE**

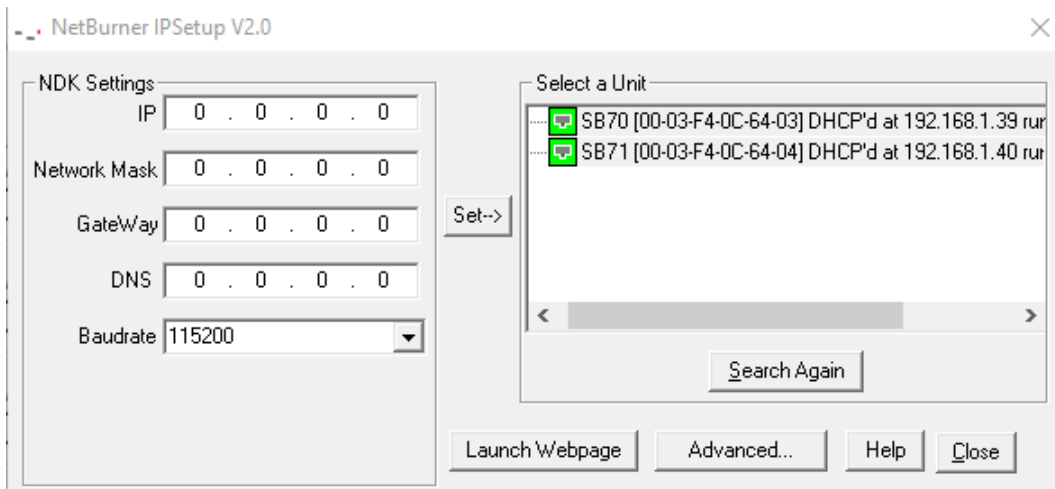
- Click on the OPERATE INSTRUMENT tab of the home page. Leave password blank and click Submit to access the Operate Instrument page (see Figure 2-5).



**FIGURE 2-5. OPERATE INSTRUMENT PAGE**

- If necessary, click on the MODE button at the upper right side of the Operate Instrument page until the indicator above the MODE button reads VOLTAGE.
- Set the unit to output +8.1V by entering +8.1 in the VOLTAGE field, then click SET. Verify the output of the BOP changes and the voltage indication is +8.1V on both the web page and the BOP front panel.

- Repeat steps 6 through 11 with CHANNEL 1 - CHANNEL 2 selector switch set to CHANNEL 2.



**FIGURE 2-6. PS FIND SCREEN**

## **2.6 INSTALLATION OF BOP 2X-DE SERIES MODELS**

**NOTE:** For all installations into confined spaces, care must be taken that the temperature immediately surrounding the unit does not exceed the maximum specified ambient temperature (55° C).

Refer to the Mechanical Outline Drawing, Figure 1-4. BOP 2X-DE Series models are delivered with the Fixed Angle Brackets and the Chassis Side Support Bars installed. For bench operation, both of these components may be removed.

The BOP 2X-DE may be installed into standard (19-inch) equipment racks, or onto any other flat surface after removing the four (4) bottom aluminum feet. For rack installation of multiple units, 1U spacing is required between units.

If chassis slides are not used, the BOP 2X-DE may be installed onto any flat surface by means of the provided plastic mounting inserts on the bottom of the BOP 2X-DE chassis.

**NOTE:** If slide installation (as described below) is not desired, other means of supporting the unit in the rear must be provided (additional rear brackets or a solid platform, for example) since the front angle brackets alone are not sufficient to support the full weight of the unit.

### **2.6.1 SLIDE INSTALLATION.**

The Chassis Slide Support Bars of the BOP 2X-DE are pre-drilled to accept Jonathan Series 110 QD slides. The slides listed in Table 2-3 can be accommodated.

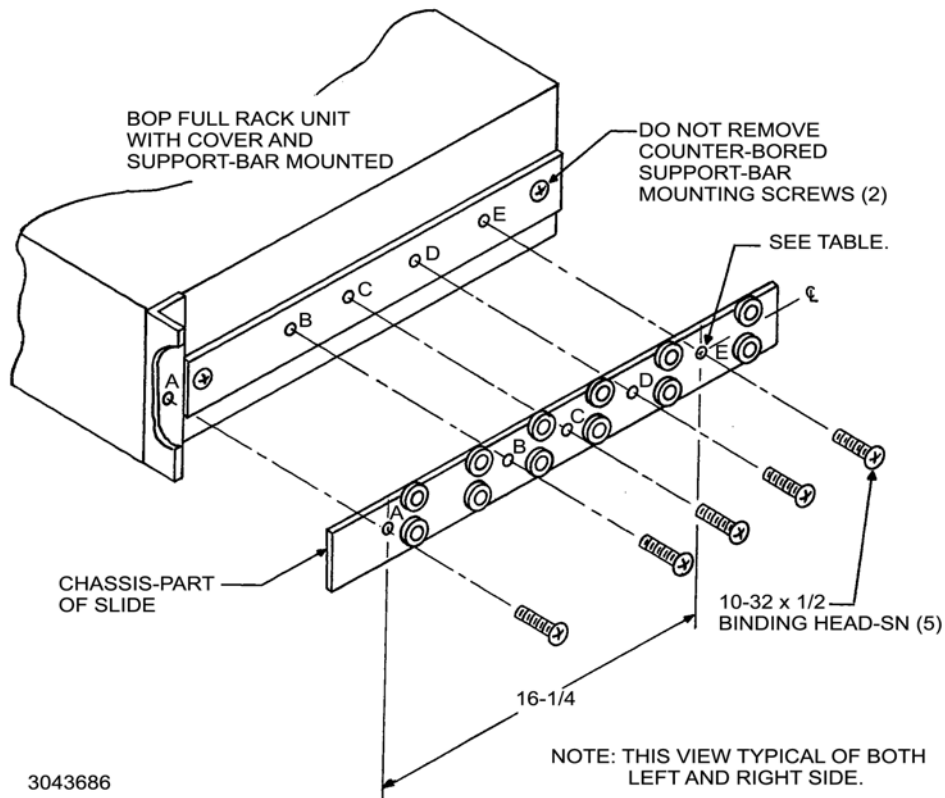
**TABLE 2-3. CHASSIS SLIDE MOUNTING HOLES**

MODEL	KEPCO P/N	MOUNTING HOLES USED				
		A	B	C	D	E
110 QD-20-2	108-0067	X	X	O	X	DR
110 QD-22-2	108-0156	X	O	X	O	X
110 QD-24-2	108-0192	X	O	X	O	DR

KEY: X = Hole Used  
 O = Hole Not Used  
 DR = Hole must be drilled into chassis part of slide, each side, 0.199 in. dia., 16-1/4 in. from "A" hole.

To install the slides, refer to Figure 2-7 and proceed as follows:

1. Remove screws "A" through "E" from left and right chassis slide support bars. (Do not discard).
2. Determine the required hole-pattern for the selected slide model from Table 2-3.
3. Drill the "E" hole into both left and right chassis sections of slide if required.
4. Mount the chassis section of the slide to the left and right side of the BOP 2X-DE as shown in Figure 2-7. Use the same 10-32 x 1/2" mounting screws removed in step 1.



**FIGURE 2-7. SLIDE INSTALLATION ON BOP 2X-DE UNITS**

## 2.7 LOAD CONNECTION

Load connections to each BOP channel are achieved via the OUTPUT and COMMON terminals located on the rear panel.

### 2.7.1 LOAD CONNECTION, LOCAL SENSING

The basic interconnections between a BOP channel and the load using local sensing are shown in Figure 2-8.

The load wire size for the 2-wire connection shown should be rated for the nominal output current of the BOP channel and tied together to keep parasitic inductance low and to reduce possible "pick-up" from stray magnetic fields. The basic 2-wire connection is useful where the voltage drop in the load wires is small or of minor consequence, as for example, operation in constant current mode.

### 2.7.2 LOAD CONNECTION, REMOTE SENSING

The basic interconnections between each BOP channel and the load using remote sensing are shown in Figure 2-9. This is the recommended load connection for all applications requiring minimum load effect across a remote load. A twisted or shielded pair of wires (No. 22 AWG minimum) are connected from the BOP sensing

**NOTE: The following explanation of AC and DC grounding can apply to any Kepco power supply even though this text applies specifically to BOP 2X-DE Series.**

### 2.7.3 A-C GROUND

The metal cases of electronic equipment which are operated from the a-c power line must be kept at ground potential at all times. If the 3-wire line cord with 3-prong safety plug (supplied with this equipment) is used in combination with a properly grounded a-c power outlet, this is taken care of automatically. If a non-grounded outlet is used, the case must be earth-grounded separately. A separate GROUND terminal for each channel is provided for this purpose on the rear panel of the BOP 2X-DE.

The GROUND terminal of each channel is connected to chassis of the unit and to the local earth-ground potential through the A-C power line cord. It can be used a) as a grounding point for the output of the unit (COMMON terminal), and b) for doubling the a-c power cord earth-ground connection if necessary by providing a separate connection to the local earth-ground point.

**CAUTION: Never connect a BOP output terminal (or the load terminal tied to the output terminal) to earth-ground. Otherwise, if the controlling device is grounded, the BOP channel can be damaged by the output limit current flowing inside the BOP along the programming signal return path.**

**CAUTION: Do not connect both the load and the programming device return (common) to earth-ground. Otherwise, if the common power connection between the BOP channel and the load is lost, the BOP can be damaged by output current flowing inside the BOP along the programming signal return path.**

**CAUTION: Do not use the programming return terminal as a tap point for the load return because the BOP can be damaged by output current flowing inside the BOP along the programming signal return path.**

In conclusion, if the application needs to have its common point tied to earth ground, make the common terminal to earth-ground connection for only ONE of the following: a) BOP channel in use, b) load, c) a device connected to the BOP output, d) a programming device.

#### 2.7.4 D-C GROUND

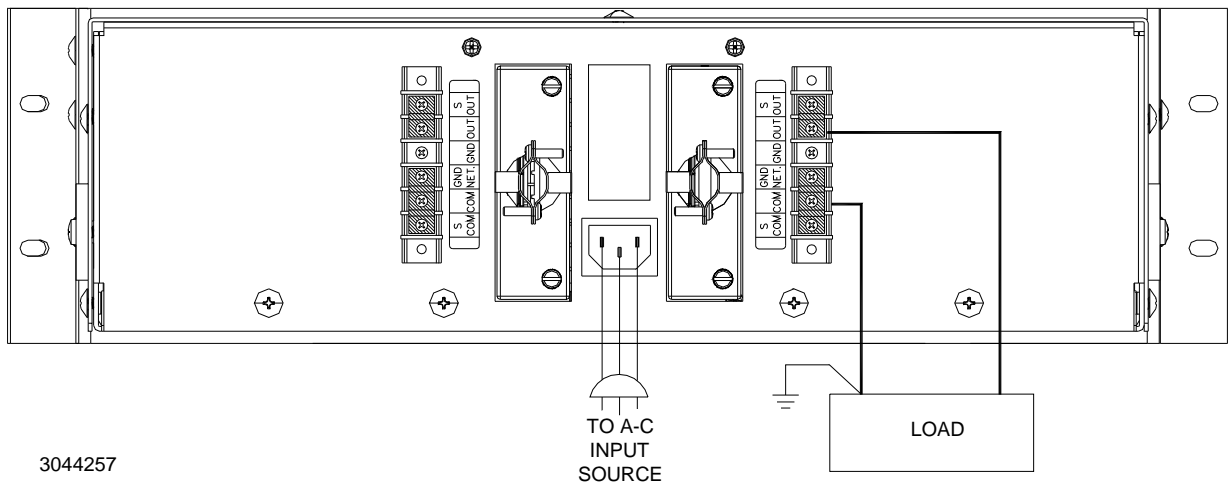
Specified ripple and noise figures listed in Table 1-1 for operational power supplies apply to each channel and are valid only with the COMMON side of the output/load circuit returned to an earth-ground point as shown in Figures 2-8 and 2-9.



**CAUTION: If the programming device return is tied to earth-ground, leave the BOP output floating. Otherwise, instability and inaccuracy will occur.**

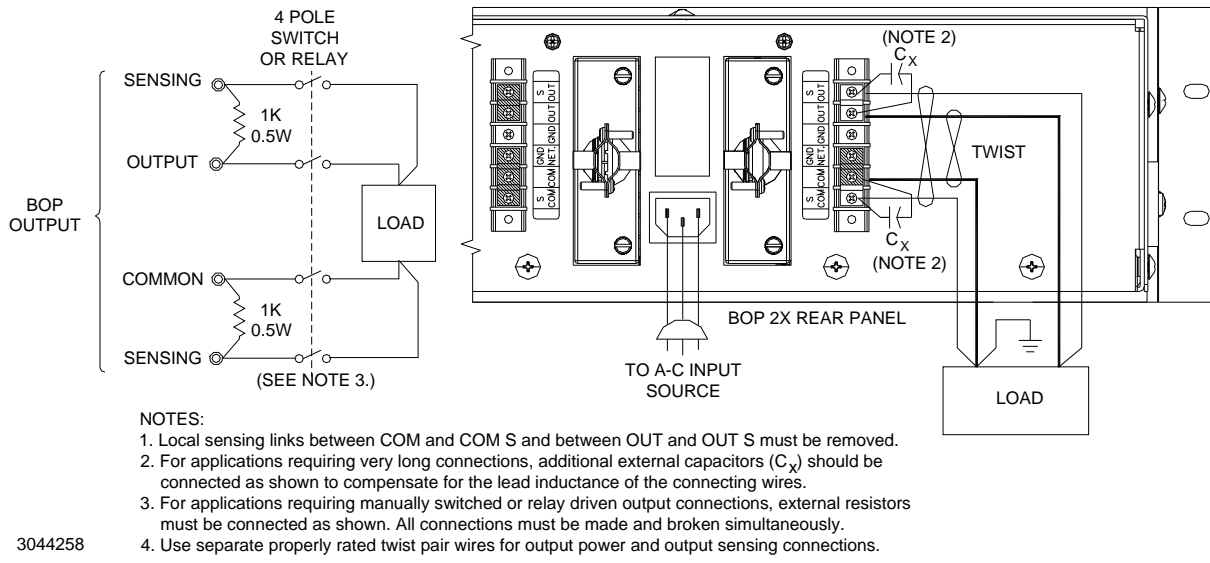
If the application requires, the COMMON of the BOP may be floated up to 250V d-c (or peak) off ground. For this case, due to the common mode noise current flowing through a higher impedance, the resulting ripple/noise will be larger than published specifications. If the application must be grounded, connect a single return/common point of the application (including programming device, BOP and load) to earth-ground. The exact location of the best return earth-ground point must be carefully selected for minimum ripple/noise output.

The GROUNDING NETWORK terminal is tied to GROUND (chassis) terminal through a series capacitor-resistor network. Connecting the GROUNDING NETWORK terminal to the COMMON terminal reduces common noise current flowing through the load.



3044257

**FIGURE 2-8. LOAD CONNECTION (CHANNEL 1, TYP.) USING LOCAL SENSING**



3044258

**FIGURE 2-9. LOAD CONNECTION USING REMOTE SENSING**

## SECTION 3 - OPERATION

### 3.1 INTRODUCTION

Each channel of the BOP 2X-DE Bipolar Operational Power Supply can be used in a great variety of applications. As a precision voltage or current source, the BOP output can be controlled remotely by the built-in LAN interface or by means of external voltage signals. Independently adjustable remotely programmable limit circuits for both output voltage and output current protect a sensitive load from any overvoltage or overcurrent.



**NOTE:** Before using the BOP in any application, please refer to Section 2 to get acquainted with the operating controls, a-c power requirements and information on load connections and grounding. Front panel components identified by index numbers in parentheses are shown in Figure 2-1.

### 3.2 POWER SUPPLY BASICS (USING LAN INTERFACE)

Each channel of the Kepco BOP 2X-DE Power Supply may be programmed via a web interface using either web pages from a browser or using SCPI (Standard Commands for Programmable Instruments) via Telnet. SCPI provides a common language used in an automatic test system.

**CAUTION:** DO NOT repeatedly toggle the circuit breaker/switch as this may cause unit to fault. Set Power ON/OFF circuit breaker/switch on front panel to ON. If actuator does not lock when released, wait a few seconds before trying again. The circuit breaker is “trip-free” design; if overload exists, contacts cannot be held closed by actuator.

**NOTE:** Upon power up, the BOP output is set to off, VOLTage and CURRent are set to 0. VOLTage and CURRent commands will not change the BOP output until the command OUTPut ON is sent to the BOP channel in use.

#### 3.2.1 LAN FACTORY DEFAULTS

The factory default LAN interface settings are listed below, however, actual unit settings may differ from those shown below depending upon whether the LAN is active..

- DHCP: ON
- AUTOIP: ON
- PING: ON (can only be changed through web interface)
- IP Address: Undefined
- MASK Address: 255.255.0.0
- GATE Address: 0.0.0.0
- DNS Address: 0.0.0.0

These default setting can be restored using the LAN Reset button (see Figure 2-2) or configured as desired from the web interface (see PAR. 3.3.4).

If the LAN connection is active when the LAN Reset button is pressed, the default values are as shown above, except that IP, MASK, GATE and DNS addresses are retrieved from the LAN or router and may differ from values shown

### 3.3 REMOTE PROGRAMMING USING THE WEB INTERFACE

Remote programming of a channel via the LAN port can be accomplished using a standard web browser connected to the internet. The factory default LAN settings are DHCP on, AUTOIP on. When source power is applied to the power supply channel (e.g., circuit breaker switched on), it first tries to find a DHCP server and get an IP address; during this time the LAN indicator associated with the channel on the rear panel continues to blink. If a server is found and an address assigned, the LAN indicator stays on without blinking.

If the server is not found after approximately 10 seconds, a duplicate address is supplied by the DHCP, however if DHCP has been disabled, the unit will use AUTOIP to get an address; if an IP address is found, the LAN indicator stays on without blinking. The range of valid AUTOIP addresses is 169.254.000.000 through 169.254.254.255 inclusive. Note that the Network Mask default for AUTOIP is 255.255.000.000. If an IP address is not found after two seconds, the LAN indicator stays off.

#### 3.3.1 TROUBLESHOOTING LAN COMMUNICATION PROBLEMS.

##### If the LAN indicator stays off:

- First verify that the host end of the LAN connection is active (switch or hub is powered on). These devices typically include indicators that indicate port activity, so if the port to which the power supply is connected is inactive (dark), try connecting to a different port.
- Inspect the LAN cable connections at both ends, ensuring that the plugs are fully engaged with their respective receptacles. Try replacing the LAN cable with a cable known to be good.
- If the channel's LAN port is connected directly to the computer's LAN port rather than through a switch hub or router, the connection must be made using a **null modem (crossover) cable** that reverses the transmit and receive pairs. **NOTE: The BOP 2X-DE channel LAN input will not do this swap automatically.**

##### If the LAN indicator is on without blinking, but communication problems persist:

- The cause may be a fixed address on the PC that is incompatible with the AUTOIP range (169.254.xxx.xxx) of the BOP 2X-DE LAN interface. Refer to PAR. 3.3.2 to find the BOP channel on the LAN, then refer to PAR. 3.3.3 and launch the web interface to correct the address.
- Refer to PAR 3.3.3 for browser types and versions supported and settings required.
- There can be latent delays in establishing communication between various devices on the LAN network hub, especially when the devices are powered on asynchronously. As a result, a steady LAN indication may begin blinking again when another device or the host computer itself is subsequently powered on. While this is a normal occurrence that typically resolves itself within a few seconds, LAN communication is interrupted during that time. Should this occur, first activate all devices connected to the hub and wait until the channel LAN indicator is on steadily for several seconds before attempting to communicate with the channel.



### 3.3.2 FINDING KEPCO POWER SUPPLIES ON THE LAN (DISCOVERY)

The BOP 2X-DE LAN interface is compliant with LXI Version 1.4 and allows for multiple ways to locate units on the LAN:

- LXI Discover Tool (download from [www.lxistandard.org](http://www.lxistandard.org))
- Safari browser with Bonjour installed
- Kepco PSFind Utility (download from [www.kepcopower.com/drivers/drivers-dl3.htm#bit802e](http://www.kepcopower.com/drivers/drivers-dl3.htm#bit802e))

#### 3.3.2.1 PSFIND DISCOVERY

The PSfind utility finds all operational Kepco power supplies connected to the LAN and then shows the MAC and IP addresses of the models found. To run the utility from your PC download the psfind.zip file to your computer. Extract psfind.exe from the zip file to a location of your choice, then doubleclick psfind.exe to run the application. A separate window opens as shown on Figure 3-1.

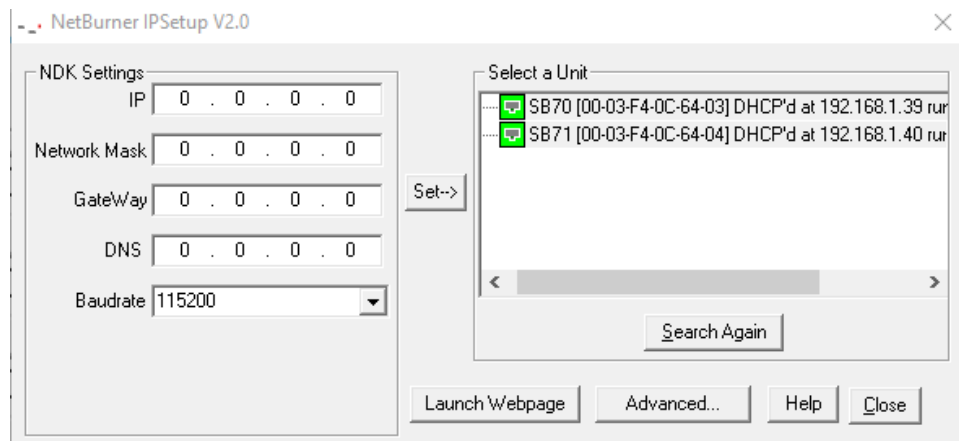


FIGURE 3-1. PS FIND SCREEN

Once the search is completed, all found units are displayed in the Select a Unit window (the MAC address appears in parentheses). If you do not see your device in the Select a Unit window or if the icon to the left of the selected instrument is red (not green), make sure it is turned on and connected to the network, then click the Search Again button.

NOTE: The serial no. of channel 1 ends in A, channel 2 ends in B. To verify the correct unit/channel has been selected, click ID INSTRUMENT at the left of the Instrument Home page. This causes the LAN indicator of the associated channel on the BOP 2X-DE rear panel to blink (see Figure 2-2).

#### 3.3.2.2 BONJOUR-ENABLED DISCOVERY

Figure 3-1 shows channel 1 of BOP 2X-100-2DE found among other Bonjour (MDNS)-enabled devices. Most printers and all LXI Version 1.4-compliant devices support the industry standard

discovery methods requiring no user action.]



FIGURE 3-2. DISCOVERY USING SAFARI BROWSER WITH BONJOUR INSTALLED

### 3.3.2.3 LXI DISCOVERY

Figure 3-2 shows a Kepeco BOP 2X-100-2DE channel found on the LAN using the LXI Discovery Tool.

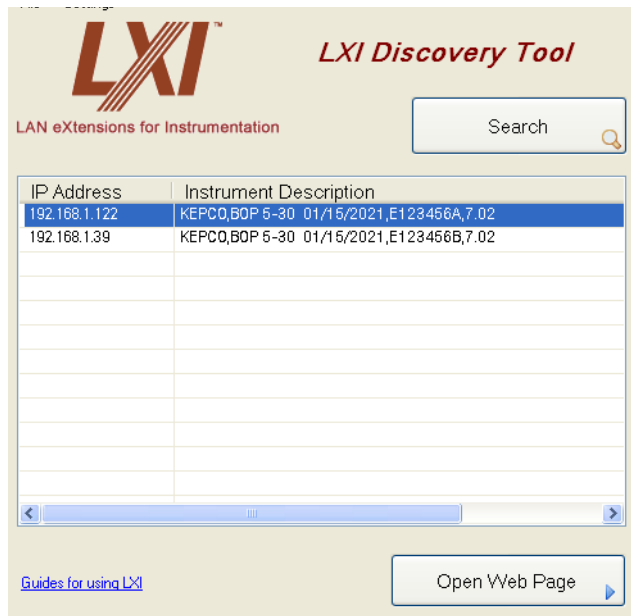


FIGURE 3-3. TYPICAL SCREEN USING LXI DISCOVERY TOOL

### 3.3.3 LAUNCH WEB INTERFACE

After finding the unit and selecting the desired channel on the LAN (see PAR. 3.4), click the Launch Webpage button to open the Instrument HOME PAGE (UNIT DESCRIPTION) in your default browser (see Figure 3-4). You can also launch the web page in any browser by entering the IP address as the URL.

**NOTE:** If source power to the channel is removed or lost while a browser window is open, communication with the channel cannot be restored until the present browser window is closed and a new window is opened.

Upon initial display of the web page, it is good practice to click the browser Refresh/Reload button once to ensure that the power supply information displayed is up to date, and not prior information recalled from the browser cache.

Although most current browsers will work, Kepco recommends the following as fully supported: Safari, IE 8.0 and higher and Firefox 1.0 and higher. Popup blocking must be disabled and Javascript must be enabled for proper operation. If popup blocking is enabled, it may prevent viewing of the help screens.

The Instrument Home page identifies the unit which has been accessed, including Manufacturer, Instrument, Description, LXI Version (1.4), Serial Number, Calibration Date, Hostname, MAC Address, LXI Firmware Revision and TCP/IP Address. Click the HELP box at the left of the screen for detailed explanations of each. These parameters can not be changed by the user. The hostname ends with .LOCAL if the MDNS has been completely resolved. This feature allows for easy discovery through the MDNS or Bonjour common naming system.

Clicking the ID INSTRUMENT box at the left of the screen, causes the physical LAN indicator on the rear panel associated with the selected channel to blink (see Figure 2-2), allowing visual confirmation as to which unit is selected. This is especially important if more than one unit is found on the LAN.

The screenshot shows the Kepco Instrument Home Page. At the top, there is a navigation bar with links for 'KEPCO WEB SITE', 'MANUAL', 'PRODUCT SUPPORT', and 'DRIVERS'. The main content area is titled 'KEPCO INSTRUMENT HOME PAGE' and features a central image of a Kepco BOP 2X5-20DE Power Supply. Below the image is a table of technical specifications. On the left side, there is a vertical sidebar menu with buttons for 'INSTRUMENT DESCRIPTION', 'OPERATE INSTRUMENT', 'CONFIGURE LAN', 'ID INSTRUMENT', and 'HELP'. The footer contains contact information for Kepco, Inc. in Flushing, NY.

INSTRUMENT MODEL	BOP 2X5-20DE
MANUFACTURER	KEPCO
SERIAL NUMBER	H123456A
DESCRIPTION	Kepco BOP 2X5-20DE Power Supply
LXI VERSION	1.4
HOSTNAME	KP_BOP_2X_5_20.local
MAC ADDRESS	00:03:F4:0C:64:03
TCP/IP ADDRESS	192.168.1.39
LAN FIRMWARE VERSION	1.71
VISA ADDRESS STRING	TCP/IP::192.168.1.39::5025::SOCKET
CALIBRATION DATE	03-10-2020

**FIGURE 3-4. WEB INTERFACE HOME PAGE (UNIT DESCRIPTION)**

### 3.3.4 LAN CONFIGURATION USING WEB INTERFACE

From the Web Interface Home Page (Figure 3-4) click on CONFIGURE LAN at the left to view the LAN Configuration page (Figure 3-5). The parameters that can be configured from this page are Host Name (DHCP), Description, IP Address, Subnet Mask address, Default Gateway Address, and DNS Server Address. Separate check-boxes allow enabling of DHCP, AUTOIP and PING. Descriptions of these terms can be viewed by clicking the HELP box at the left. If a data entry fault condition exists, an alert window indicates the type of fault. Click OK to close the window; the SUBMIT button is disabled until the fault is corrected.

There are three passwords shown on this page which control access to the web pages only (not to be confused with the unit password (see PAR. 3.5.3) which is needed for calibration. All three web passwords described below are case sensitive.

NOTE: In cases where multiple users are expected to have access to the units, it is recommended that password access be used to restrict *control* of the unit to one user (functioning as a bus controller), while allowing other users viewing access. Allowing multiple users to issue commands to a single unit can cause unpredictable results and may cause the unit to lock up.

- The OPERATE INSTRUMENT password restricts the ability to modify the OPERATE INSTRUMENT page settings. The settings can still be viewed while password protected
- The CONFIGURE INSTRUMENT password restricts the ability to change some INSTRUMENT configuration parameters shown on the CONFIGURE INSTRUMENT page.
- The CONFIGURE LAN password restricts the ability to change the LAN configuration parameters shown on the CONFIGURE LAN page (Figure 3-5.)

**KEPCO LAN CONFIGURATION PAGE**

HOST NAME (DHCP)	KP_BOP_2X_5_20_DE	
DESCRIPTION	Kepco BOP 2X5-20DE Power Supply	
IP ADDRESS	192.168.1.39	<input checked="" type="checkbox"/> DHCP ENABLED
SUBNET MASK	255.255.255.0	<input checked="" type="checkbox"/> AUTOIP ENABLED
DEFAULT GATEWAY	192.168.1.10	<input checked="" type="checkbox"/> PING ENABLED
DNS SERVER	1.1.1.1	

CHANGE PASSWORD	CURRENT	NEW	REPEAT
OPERATE INSTRUMENT	<input type="text"/>	<input type="text"/>	<input type="text"/>
CONFIGURE LAN	<input type="text"/>	<input type="text"/>	<input type="text"/>

KEPCO, INC. · 131-38 Sanford Avenue · Flushing, NY 11355 USA  
 Tel (718) 461-7000 · Fax (718) 767-1102 www.kepcopower.com · email:hq@kepcopower.com  
 © Copyright 2012-2016, Kepco Inc. All rights reserved

FIGURE 3-5. WEB INTERFACE CONFIGURE LAN PAGE

The factory default is that passwords are not needed to access password-protected areas and none of the three passwords are established. To set a password for the first time, leave the CURRENT field blank, enter the new password in the NEW and REPEAT fields, then click SUBMIT. Subsequent changes require the current password to be entered in the CURRENT field. If a password is lost or forgotten, the factory default state (no password required) can be restored by pressing the LAN Reset button at the rear panel (see Table 2-2).

To change a parameter, enter the correct data and/or click the appropriate check-boxes, then click SUBMIT to save the change or NO CHANGE to clear and reload the page without saving. If the data is not entered within 20 seconds after the last keystroke, the data will revert to the previous value. If the LAN CONFIGURATION password was set, you will be prompted to enter the password before the changes are accepted.

When SUBMIT is clicked after new IP address information is entered, the rear panel LAN indicator blinks rapidly while the unit validates the IP address. If the address is valid, the browser returns to the INSTRUMENT HOME page (Figure 3-4). If the address entered is already in use, the following note appears towards the top of the page:

NOTE: IP Address is in use.  
Click CONFIGURE LAN and choose another IP to correct.

An IP address that is not already in use must be entered and submitted, otherwise the browser will lock, requiring the browser to be closed and reopened.

### **3.4 OPERATING THE CHANNEL USING WEB INTERFACE**

To operate the unit, click the OPERATE INSTRUMENT box at the left. A simulated front panel (see Figure 3-6) at the top of the screen shows 1) output voltage and current, 2) VOLTAGE or CURRENT is displayed above the MODE button if the unit is in voltage or current mode, respectively (\*\* is displayed if state is unknown, web page will update within 10 seconds), and 3) whether the output is on or off. An ON/OFF button can be clicked to turn the output on or off. A MODE button allows the user to change the channel operating mode (voltage or current).

A small white dot below the voltage display flashes to indicate the web page is communicating with the channel. If a fault condition exists, an alert window indicates the type of fault, and operation via the web is disabled. When the fault is corrected, click OK to close the alert window and resume operation via the web.

NOTE: If the OPERATE INSTRUMENT password has been set (see PAR. 3.3.4), you will be prompted to enter the password before the OPERATE INSTRUMENT page settings can be changed.

The functions that the user can modify are listed on the black menu bar below the representation of the front panel: Output, Reset and List, and are described in the following paragraphs.

NOTE: Once data in a field has been changed, clicking the browser's BACK button will cause all fields to revert to their previous values.

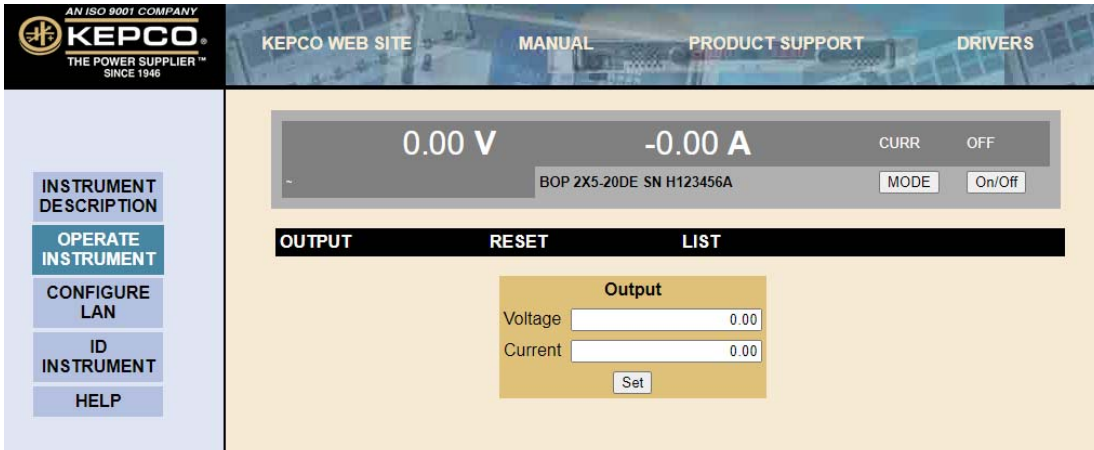


FIGURE 3-6. WEB INTERFACE OPERATE INSTRUMENT PAGE

### 3.4.1 CHANGING THE OUTPUT

The Output dialog box opens when the OPERATE INSTRUMENT page is first opened, or when **OUTPUT** is clicked (see Figure 3-6). To set output voltage and current limit, enter voltage value in the VOLTAGE field and current limit value in the CURRENT field and click SET. To set output current and voltage limit, enter current value in the CURRENT field and voltage limit value in the VOLTAGE field and click SET. Voltage and current settings are not allowed to exceed the model setting. Attempts to set voltage or current beyond these limits will not be accepted. To turn the output on or off, click the ON/OFF button within the simulated front panel.

#### 3.4.1.0.1 RESETTING THE UNIT (\*RST)

Click **RESET** to open the Reset dialog box, then click **\*RST** button to reset the channel to the power on default state: setpoints to zero Volts and minimum Amperes, and output set to OFF. **\*RST** also clears all LIST entries.

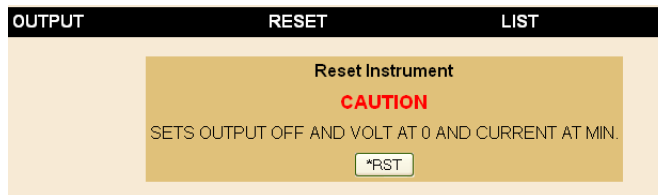


FIGURE 3-7. RESET DIALOG BOX

#### 3.4.1.1 USING A LIST (USER-PROGRAMMED SEQUENCES)

Using the LIST feature, up to 1000 locations are available for programming the channel output. These locations enable the user to program the output using sequential steps which may be initiated by a single command. The repeatable user-determined sequences are stored in volatile memory and are retained until reprogrammed, the channel is turned off, operating mode (voltage or current) is changed, a calibration is performed, or a **LIST:CLear** command is received.

**Create the List.** Click **LIST** to open the List dialog box (Figure 3-8). Depending on the operating mode selected, either the voltage list or current list dialog box will be displayed. Click the MODE

button to change the mode. Each location defines the values for one step: voltage and current, and a dwell time duration (between 0.1 and 5.0 seconds).

NOTE: Dwell times down to 0.01 second can be obtained using SCPI commands via Telnet to generate the list (see Appendix B).

Click **Add to List** button to add a step (the information displayed in the Voltage, Current and Dwell boxes) to the List steps shown to the right.

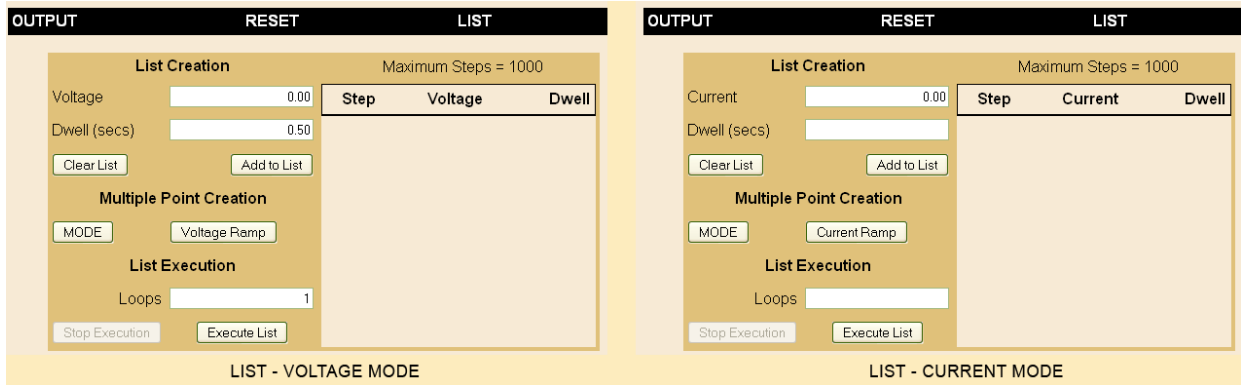


FIGURE 3-8. LIST DIALOG BOX

**Clearing the List.** Once a LIST has been started, the individual steps can not be changed; the only option is to delete the LIST by pressing the **Clear List** button to start over. In addition, performing any of the following operations will also clear the list: changing overcurrent or overvoltage PROTECTION settings, unit RESET (clicking \*RST), changing LIMIT MODEL settings and exiting the OPERATE INSTRUMENT page.

**Create Voltage or Current Ramps.** In addition to adding single steps, the user may add to produce voltage or current ramps. Clicking the **Voltage Ramp** or **Current Ramp** button opens similar dialog boxes (see Figure 3-9). Enter the starting and ending ramp values, the number of intermediate steps (including start and end), the total time (0.1 to 5.0 seconds) to go from the start to the end of the ramp, and a constant current (for voltage ramp) or voltage (for current ramp) for each step of the ramp. Dwell times for each step will be calculated by the firmware (total time/number of steps), and must be greater than 0.0005 second. Clicking the **Create Ramp** button adds the steps to the list as the firmware calculates the intermediate voltage values and dwell times required to produce the desired ramp. Ramps with many total steps may take a few seconds to process; the percentage complete is indicated below the **Create Ramp** button.

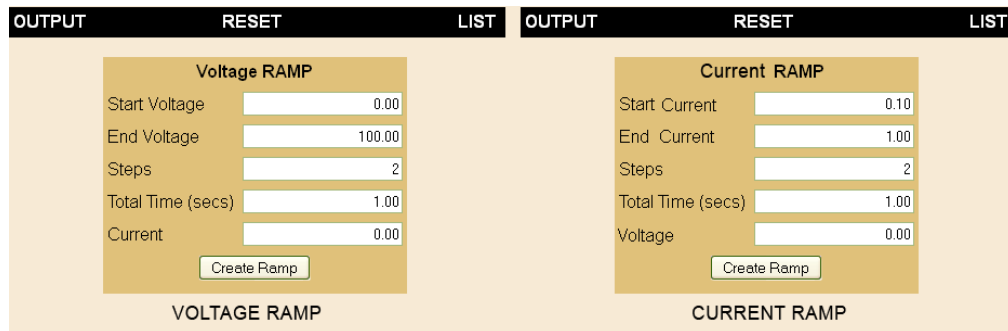


FIGURE 3-9. VOLTAGE AND CURRENT RAMP DIALOG BOXES

**Execute the List.** Steps may be added to a list using Add to List, Current Ramp or Voltage Ramp buttons, however the total number of steps can not exceed 1000. To execute the list, enter the number of times the list is to be executed in the **Loops** box (1 to 256; 0 is continuous looping), set the output on (click the **On/Off** button if necessary) and click the **Execute List** button. While the list is running, the title of the **Execute List** button changes to **Stop Execution**. After the completion of the specified number of LIST cycles, the output stabilizes at the conditions in the last LIST step.

**Stop the List.** If the **Stop Execution** button is clicked to stop the list, the output stays on with the voltage and current at the list values prior to the stop command, and the **Stop Execution** button reverts to **Execute List**. If the **Execute List** button is clicked again, the list restarts from the beginning. If the list is stopped by clicking the **\*RST** button, the output turns off and **Output** setpoints are reset to 0V, minimum current.

### 3.5 OPERATING THE UNIT USING TELNET

To operate the unit using Telnet, proceed as follows:

1. Connect the channel to a Microsoft Windows-based computer via the LAN port (see Figure 2-2). Use either a standard ethernet cable if using a router or hub, or a crossover LAN cable if connecting the channel directly to a computer. The LAN interface is not Auto-MDI-X enabled and requires the crossover cable for direct connection.
2. Apply power to channel. The LAN indicator at the rear panel will blink while searching for a valid IP address, then stay on continuously when found. If the LAN indicator is off, a valid IP address was not found.
3. Refer to PAR. 3.3.2 to find the unit on the LAN. Once the unit is found, note the IP address. Then go to the command prompt and enter the following:  
**TELNET** [*ip address from the discovery process*] 5024 and press [ENTER]  
(e.g. **TELNET 192.168.1.200 5024** [ENTER])
4. Once connected, the unit can be operated using the SCPI commands listed in Appendices A and B. See PAR. 3.7 for an overview of SCPI syntax and structure. The following paragraphs explain recommended practices to use when controlling a BOP 2X-DE channel using SCPI commands via Telnet.

#### 3.5.1 PROGRAMMING TECHNIQUES TO OPTIMIZE PERFORMANCE

Proper programming techniques can offer significant response time improvement and reduce undesirable transients at the channel output. The key to performance optimization is to minimize mode changes (voltage mode/current limit to current mode/voltage limit or vice versa). Mode changes should be limited to changes in load conditions (to which the channel will respond automatically), or by programming the limit parameter when required by the user application.

The proper way to program the channel is to initially program the operating parameter to zero and the complementary limit parameter to the desired maximum value. Subsequent commands should change only the operating parameter. (The operating parameter is the parameter that controls the output, e.g., voltage controls the output in voltage mode, current in current mode.) The complementary limit parameter should be programmed only when there is a need to change it.



### 3.5.1.1 SETTING BOP VOLTAGE AND CURRENT LIMITS

The LAN interface controls the channel output via two control loops: the main control loop, which is defined by the operating mode, and the limit control loop. In voltage mode, the main control loop handles output voltage and the limit control loop handles current limit. In current mode the main control loop handles output current and the limit control loop handles voltage limit.

- If the channel is operating in voltage mode, sending VOLT sxxxx controls the main control loop, and thus the output voltage (where s = sign, + or – and xxxx = the absolute value of output voltage). Sending CURR sxxxx controls current limit (where s = sign, + or – and xxxx = the absolute value of current limit).
- If the channel is operating in current mode, sending CURR sxxxx controls the main control loop, and thus the output current (where s = sign, + or – and xxxx = the absolute value of output current). Sending VOLT sxxxx controls voltage limit (where s = sign, + or – and xxxx = the absolute value of voltage limit).

### 3.5.1.2 AUTOMATIC RANGE OPERATION.

The channel has low and high ranges which are changed automatically when the main control loop set point is changed from a value less than the 1/4 of the units operating capability to a value that is higher than 1/4 of the operating capability. The automatic gain change is enabled at power up, or by either the \*RST command or a mode change command (FUNC:MODE).

An automatic range change can result in undesirable transients when passing through the quarter scale point as result of a gain change, depending upon the load at the output of the channel. For example, with a 50V channel in voltage mode, the quarter scale gain change is at 12.5V. When the unit is programmed from 12.5V to 12.6V, the gain of the channel changes and a spike may be seen at the output. A transient may also occur when changing from –5V volts to +50V as –5 volts is in the region between –12.5V and +12.5V and +50V is beyond the quarter scale region. **When the unit is programmed to remain in full scale, the gain change does not occur and this eliminates the transient.**

### 3.5.1.3 USING THE LAN INTERFACE TO PRODUCE A SOFTWARE-TIMED RAMP AT THE OUTPUT

If the channel is intended to operate in a test application that requires a set of specific output voltages in a specific order and the number of points is more than the 1000 points available using the LIST command, a computer-controlled ramp can be used.

The recommended way to run a voltage ramp is to set the current limit to maximum plus at least 2% (or unit limit for max absolute value of the load). While in voltage mode, current limit is the absolute value of the programmed current.

Before running the ramp it is recommended that the scale be set to full scale using VOLT:RANG 1 to avoid any transients as explained in PAR. 3.5.1.2.

When installed, the Labview interactive example available on our web site creates a KpDCpwr directory in Labview's user.lib. This sub-directory contains various programs such as KepcoDCPwr Software Timed Ramp.vi. This vi is a software-timed linear ramp that is an example of using both the range command and the limits in generating a ramp. There is also a KepcoDCPwr Software Timed Current Ramp.vi for the same functionality in current mode. The LAN interface has a maximum ramp step rate of 50 milliseconds.

### 3.5.2 MAKING SURE THE PREVIOUS COMMAND IS COMPLETE

Some SCPI commands require a flash memory update and can take an indeterminate amount of time to complete. These commands are:

- \*SAV
- MEM:PACK
- MEM:UPD
- CAL:COPY
- CAL:SAVE
- SYST:PASS:NEW
- SYST:SEC:IMM

When sending these commands via Telnet, these commands require a query to be added to the command string to verify the previous command is complete. When the command is complete, the unit updates the status byte and indicates MAV (Message Available, bit 4 - see Table A-3) is true. MAV indicates that there is a response to be received by the computer, so when it becomes set, the unit is ready for its next command after reading back the data from the query that was added to the command string.

The \*ESR? query is ideal to check if the previous command is complete since it returns either a 1 or 0. It is important that it be sent as a part of the same string as the command that causes a flash update. As an example, sending CAL:SAVE 12/31/2005;\*esr? or \*esr?;CAL:SAVE 12/31/2005 are valid command strings. Sending the commands separately will not verify that the previous command is complete. Figure 3-10 is a program written in Visual C, a trademark of Microsoft corporation, incorporating these techniques. The Visual C project for this example is part of the Sample VISA programs for Visual Studio file that can be downloaded from Kepco's Website (see [www.kepcopower.com/drivers/drivers-dl3.htm#bit802e](http://www.kepcopower.com/drivers/drivers-dl3.htm#bit802e)).

Failure to provide an adequate delay can result in:

- Commands that are not processed,
- The following command may be received in error, causing an error in the transmission,
- Unit lock-up requiring power cycling of the unit.

```

/*****
/* Kepco Sample Program using National Instruments VISA          */
/* note : visa32.lib must be included in your project          */
/*****
/*           Read and Write to an Instrument Example           */
/*           */
/* This code demonstrates synchronous read and write commands to a */
/* GPIB, serial or message-based VXI instrument using VISA.      */
/*           */
/* The general flow of the code is                               */
/*   Open Resource Manager                                       */
/*   Open VISA Session to an Instrument                          */
/*   Write the Identification Query Using viWrite               */
/*   Try to Read a Response With viRead                         */
/*   Close the VISA Session                                     */
/*****

#if defined(_MSC_VER) && !defined(_CRT_SECURE_NO_DEPRECATE)
#define _CRT_SECURE_NO_DEPRECATE
#endif

#include <stdlib.h>
#include <stdio.h>
#include <string.h>
#include "visa.h"

static ViSession defaultRM;
static ViSession instr;
static ViStatus status;
static ViUInt32 retCount;
static ViUInt32 writeCount;
static unsigned char buffer[100];
static char stringinput[512];

/*
 * In every source code or header file that you use it is necessary to prototype
 * your VISA variables at the beginning of the file. You need to declare the VISA
 * session, VISA integers, VISA strings, VISA pointers, and VISA floating variables.
 * Remember that if you are prototyping variables that are to be used as part of the
 * VISA session that need this prototyping. As an example, above retCount has been
 * prototyped as a static variable to this particular module. It is an integer of
 * bit length 32. If you are uncertain how to declare your VISA prototypes refer
 * to the VISA help under the Section titled Type Assignments Table. The VISA
 * help is located in your NI-VISA directory or folder.
 */

int main(void)
{
    /*
     * First we must call viOpenDefaultRM to get the resource manager
     * handle. We will store this handle in defaultRM.
     */
    status=viOpenDefaultRM (&defaultRM);
    if (status < VI_SUCCESS)
    {
        printf("Could not open a session to the VISA Resource Manager!\n");
        exit (EXIT_FAILURE);
    }
}

```

**FIGURE 3-10. PROGRAMMING EXAMPLE TO VERIFY PREVIOUS COMMAND HAS COMPLETED  
(SHEET 1 OF 3)**

```

/*
 * Now we will open a VISA session to a device at Primary Address 6.
 * You can use any address for your instrument. In this example we are
 * using GPIB Primary Address 6.
 *
 * We must use the handle from viOpenDefaultRM and we must
 * also use a string that indicates which instrument to open. This
 * is called the instrument descriptor. The format for this string
 * can be found in the NI-VISA User Manual.
 * After opening a session to the device, we will get a handle to
 * the instrument which we will use in later VISA functions.
 * The two parameters in this function which are left blank are
 * reserved for future functionality. These two parameters are
 * given the value VI_NULL.
 *
 * This example will also work for serial or VXI instruments by changing
 * the instrument descriptor from GPIB0::6::INSTR to ASRL1::INSTR or
 * VXI0::2::INSTR depending on the necessary descriptor for your
 * instrument.
 */
status = viOpen (defaultRM, "GPIB0::6::INSTR", VI_NULL, VI_NULL, &instr);
if (status < VI_SUCCESS)
{
    printf ("Cannot open a session to the device.\n");
    goto Close;
}

/*
 * Set timeout value to 5000 milliseconds (5 seconds).
 */
status = viSetAttribute (instr, VI_ATTR_TMO_VALUE, 5000);

/*
 * At this point we now have a session open to the instrument at
 * Primary Address 6. We can use this session handle to write
 * an ASCII command to the instrument. We will use the viWrite function
 * to send the string "*IDN?", asking for the device's identification.
 */
strcpy(stringinput,"*IDN?");
status = viWrite (instr, (ViBuf)stringinput, (ViUInt32)strlen(stringinput), &writeCount);
if (status < VI_SUCCESS)
{
    printf("Error writing to the device\n");
    goto Close;
}

/*
 * Now we will attempt to read back a response from the device to
 * the identification query that was sent. We will use the viRead
 * function to acquire the data. We will try to read back 100 bytes.
 * After the data has been read the response is displayed.
 */

status = viRead (instr, buffer, 100, &retCount);
if (status < VI_SUCCESS)
{
    printf("Error reading a response from the device\n");
}
else
{
    printf("%*s\n",retCount,buffer);
}

```

**FIGURE 3-10. PROGRAMMING EXAMPLE TO VERIFY PREVIOUS COMMAND HAS COMPLETED  
(SHEET 2 OF 3)**

```

    /*** Set Output Volt & Curr Values & enable output ***/

strcpy(stringinput, "volt 5;:curr 1;:outp on");
status = viWrite(instr, (ViBuf)stringinput, (ViUInt32)strlen(stringinput), &writeCount);
if (status < VI_SUCCESS)
{
    printf("Error writing to the device\n");
    goto Close;
}
printf("ready - hit a key to continue\n");  getchar();

/*** send  measure volt & curr cmnds & get response ***/

strcpy(stringinput, "meas:volt?;:meas:curr?");
status = viWrite(instr, (ViBuf)stringinput, (ViUInt32)strlen(stringinput), &writeCount);
if (status < VI_SUCCESS)
{
    printf("Error writing to the device\n");
    goto Close;
}

status = viRead(instr, buffer, 100, &retCount);
if (strchr(buffer, 10) && strchr(buffer, 10)[0] = 0; // terminate the buffer so we don't get
trailing garbage
if (status < VI_SUCCESS)
{
    printf("Error reading a response from the device\n");
}
else
{
    printf("Volt;Curr : %*s\n", retCount, buffer);
}

printf("ready - hit a key to continue\n");  getchar();

/*** send  a reset ***/

printf("resetting\n"); strcpy(stringinput, "*rst");
status = viWrite(instr, (ViBuf)stringinput, (ViUInt32)strlen(stringinput), &writeCount);
if (status < VI_SUCCESS)
{
    printf("Error writing to the device\n");
    goto Close;
}

printf("ready - hit a key to continue\n");  getchar();

/*
 * Now we will close the session to the instrument using
 * viClose. This operation frees all system resources.
 */
Close:
printf("Closing Sessions\nHit enter to continue.");
fflush(stdin);
getchar();
status = viClose(instr);
status = viClose(defaultRM);

return 0;
}

```

**FIGURE 3-10. PROGRAMMING EXAMPLE TO VERIFY PREVIOUS COMMAND HAS COMPLETED  
(SHEET 3 OF 3)**

### 3.5.3 PASSWORD SETUP.

To change a password send:

**SYST:PASS:CEN DEFAULT**

**SYST:PASS:NEW DEFAULT new\_password**

If the password is lost, please contact the factory.

### 3.6 BUILT IN TEST

The LAN interface is designed to perform periodic testing of itself, power up testing and commanded testing. The testing is reported to the operator both by errors placed in the SCPI error queue and by issuing audible beeps.

The CVI driver and demonstration soft panel can be downloaded from the Kepco website at: [www.kepcopower.com/drivers.htm](http://www.kepcopower.com/drivers.htm). The driver and demonstration panel provide an easy way to verify LAN interface performance. A description of the driver is included as an Adobe Acrobat™ PDF file.

#### 3.6.1 POWER-UP TEST

The power up testing of the LAN interface is similar to the \*TST command (PAR. A.16). Portions of the interface are verified on power-up and errors are indicated by the beep codes listed in Table 3-1. The failed test is repeated indefinitely.

#### 3.6.2 CONFIDENCE TEST

The SCPI command \*TST? Is used to perform a confidence test of the interface. It verifies the microprocessor memory, the timer, optical buffer and reference of the LAN interface. It does not affect the output of the channel. This command returns a 0 for pass and number from 1 through 1023 to indicate the cause of the error. The test executes each of the subtests even when any one fails. If any test fails, a bit is set in the error code which is returned to the user. The error codes returned are listed in Table 3-1

**TABLE 3-1. BUILT-IN TEST ERROR CODES**

TEST ACTIVE		ERROR CODES			MEANING
*tst?	DIAG:TST?	BIT	VALUE	BEEPS	
Yes	Yes		0		Pass (No error)
Yes	Yes	0	1	1	ROM error
Yes	Yes	1	2	1	RAM error
Yes	Yes	2	4	2	FLASH error -- Perform calibration to correct
Yes	Yes	3	8	3	Optical Buffer Error'
Yes	Yes	4	16	6	Digital Pot error
No	Yes	5	32	5	Loop Back Test error
No	Yes	6	64		Max Voltage Output error
No	Yes	7	128		Min Voltage Output error
No	Yes	8	256		1/4 Scale Voltage error
No	Yes	9	512		1/4 Scale Voltage Readback error

### 3.6.3 CHANNEL TEST

The DIAG:TST? Command performs a test of the Channel. The test includes the LAN interface internal tests of the DAC (Digital to Analog Converter), Limit and Op Amp circuits. If successful it programs the channel in voltage mode to the positive and negative limits of the device. It also verifies the Limit operation of the channel in current mode by setting the unit for the rated maximum current delivery and verifies that the voltage limit set at one volt operates correctly. It also tests the readback voltages in both high and low scales.

**CAUTION: TO AVOID DAMAGE TO THE LOAD, DISCONNECT THE LOAD BEFORE ISSUING THIS COMMAND. (DURING THE SELF-TEST, THE BOP IS PROGRAMMED TO FULL SCALE POSITIVE AND FULL SCALE NEGATIVE OUTPUT.)**

This command returns a 0 for pass, or a number from 1 through 1023 to indicate the cause of the error. The test executes each of the subtests even when any one fails. If any test fails, a bit is set in the error code which is returned to the user. The error codes returned are listed in Table 3-1.

## 3.7 SCPI PROGRAMMING

SCPI (Standard Commands for Programmable Instruments) is a programming language conforming to the protocols and standards established by IEEE 488.2 (reference document *ANSI/IEEE Std 488.2, IEEE Standard Codes, Formats, Protocols, and Common Commands*). SCPI commands are sent to the Interface Card as output strings within the selected programming language (PASCAL, BASIC, etc.) in accordance with the appropriate TCPIP function for port number 5025.

### 3.7.1 SCPI MESSAGES

There are two kinds of SCPI messages: program messages from controller to power supply channel, and response messages from the power supply channel to the controller. Program messages consist of one or more properly formatted commands/queries and instruct the channel to perform an action; the controller may send a program message at any time. Response messages consist of formatted data; the data can contain information regarding operating parameters, channel state, status, or error conditions.

### 3.7.2 COMMON COMMANDS/QUERIES

Common commands and queries are defined by the IEEE 488.2 standard to perform overall channel functions (such as identification, status, or synchronization) unrelated to specific channel operation (such as setting voltage/current). Common commands and queries are preceded by an asterisk (\*) and are defined and explained in Appendix A. Refer also to syntax considerations (PARs. 3.7.2 through 3.7.5).

### 3.7.3 SCPI SUBSYSTEM COMMAND/QUERY STRUCTURE

Subsystem commands/queries are related to specific channel functions (such as setting output voltage, current limit, etc.) Figure 3-11 is a tree diagram illustrating the structure of SCPI subsystem commands used in the Interface Card with the "root" at the left side, and specific commands forming the branches. The following paragraphs introduce the subsystems; subsystem commands that are defined and explained in Appendix B.

### 3.7.3.1 INITIATE SUBSYSTEM

This subsystem enables the trigger system. When a trigger is enabled, the triggering action will occur upon receipt of a GPIB <GET>, \*TRG or TRIGger command. If a trigger circuit is not enabled, all trigger commands are ignored.

### 3.7.3.2 MEASURE SUBSYSTEM

This query subsystem returns the voltage and current measured at the channel's output terminals.

### 3.7.3.3 [SOURCE:]VOLTAGE AND [SOURCE:]CURRENT SUBSYSTEMS

These subsystems program the output voltage and current of the channel.

### 3.7.3.4 OUTPUT SUBSYSTEM

This subsystem enables/disables the channel output. Voltage and current are determined by the combination of SOURCE subsystem VOLTage and CURRent commands and the load.

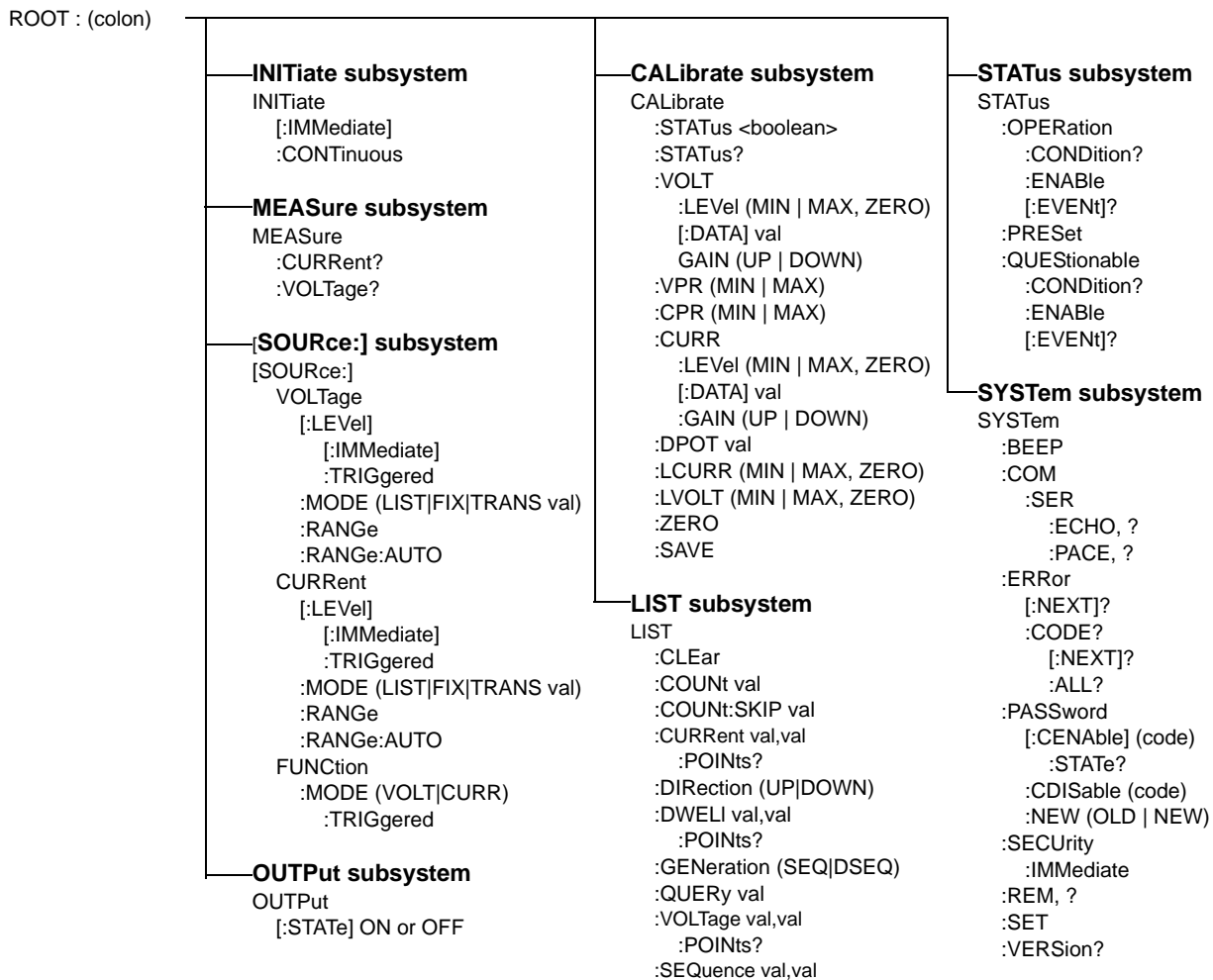


FIGURE 3-11. TREE DIAGRAM OF SCPI COMMANDS USED WITH BIT 802E INTERFACE CARD



### 3.7.3.5 LIST SUBSYSTEM

The LIST subsystem is used to generate transients, waveforms and execute a series of steps repeatedly. Up to 1002 channel settings can be stored temporarily. Each setting consists of either a voltage or current value (depending on whether the channel has been set to Voltage or Current mode), and a corresponding dwell time (the duration those settings are in effect). These settings may be executed in sequence as they are entered, or executed in a user-determined sequence that also allows individual settings to be repeated more than once. In addition, the entire sequence may be repeated for a specific number of times, or run indefinitely until commanded to stop. The sequence can also be run in reverse order to produce inverted waveforms. The following paragraphs provide guidance for using the list commands.

#### 3.7.3.5.1 REQUIRED LIST COMMANDS

There are only five LIST commands, plus either the VOLT:MODE or CURR:MODE command, that are needed to create and execute a list. Use of these required commands is illustrated in Figure B-2 which shows the creation of sawtooth and triangular waveforms. LIST commands are not accepted while a list is running. Send VOLT:MODE FIX (PAR. B.59) or CURR:MODE FIX (PAR. B.50) to stop the list. A list remains in memory until the power is cycled or the LIST:CLEAR command is processed. Therefore, if the original list is unchanged, additional commands can be added to the end of the list without resending all the commands. However, to change parameters of one or more commands within the list, send LIST:CLEAR and then resend the entire list including the changed parameters. To execute the list again, either VOLT:MODE LIST or CURR:MODE LIST must be sent again.

LIST:VOLT (PAR. B.45) or LIST:CURR (PAR. B.31). These commands establish the points (steps) of a list which program output voltage or current. A list can only be either a voltage list or a current list, so the points in a list must be made with either LIST:VOLT XXXX or LIST:CURR XXXX. Mixing of these commands within a list is not allowed.

LIST:CLEAR (PAR. B.26). Always precede a new list with this command. A list remains in memory until the power is cycled or the LIST:CLEAR command is processed.

LIST:DWELL (PAR. B.36). Defines the dwell time for each point in a list. In many instances it is easier to use one dwell time and repeat a specific point multiple times to generate longer duration pulses. Remember, if more than one LIST:DWELL is sent, there must be a LIST:DWELL for each voltage or current point in the list.

LIST:COUNT (PAR. B.27) Defines how many times a list is executed. 0 equals indefinite; when a count of 0 is used, either \*RST, VOLT:MODE FIX or CURR:MODE FIX must be used to stop the list. \*RST will cause the output to be set off and the unit is set to Voltage mode. VOLT:MODE FIX or CURR:MODE FIX stops the list immediately; the point being executed when the list is stopped will be present at the BOP output.

#### 3.7.3.5.2 OTHER REQUIRED COMMANDS

VOLT:MODE LIST (PAR. B.59) or CURR:MODE LIST (PAR. B.50). These commands start the list and VOLT:MODE FIX (PAR. B.59) or CURR:MODE FIX (PAR. B.50) stop the list. LIST commands are not accepted while a list is running. If LIST:COUNT is between 1 and 255, when the count decrements to 0, the list stops and the unit automatically moves to VOLT:MODE FIXED or CURR:MODE FIXED state. To execute the list again, either VOLT:MODE LIST or CURR:MODE LIST must be sent again.

### 3.7.3.5.3 OTHER USEFUL COMMANDS

LIST:COUNT:Skip (PAR. B.29). This command provides the ability to execute the initial points only once whenever a list is run. It is used to set initial preconditions prior to running a repetitive sequence.

LIST:DIR (PAR. B.34) This command changes the order of the list.

LIST:VOLT:POINTS? (PAR. B.47) or LIST:CURR:POINTS? (PAR. B.33) These queries return the number of points in a list and provide a simple way to insure that all points entered were properly processed and as intended.

### 3.7.3.5.4 OPTIONAL COMMANDS

Most commands have associated Queries (?) These are useful for troubleshooting/debugging lists but are not needed in most cases.

The LIST:SEQ command is provided for backward compatibility. It is not recommended to be used in any new designs as it may be eliminated at some point in the future.

### 3.7.3.6 STATUS SUBSYSTEM

This subsystem programs the channel status register. The channel has two groups of status registers: Operation and Questionable. Each group consists of three registers: Condition, Enable, and Event.

### 3.7.3.7 SYSTEM SUBSYSTEM

This subsystem is used to establish system settings Program Message Structure.

## 3.7.4 PROGRAM MESSAGE STRUCTURE

SCPI program messages (commands from controller to power supply channel) consist of one or more *message units* ending in a *message terminator* (required by Kepco power modules). The message terminator is not part of the syntax; it is defined by the way your programming language indicates the end of a line (such as a “newline” or “end-of-line” character). The message unit is a keyword consisting of a single command or query word followed by a message terminator (e.g., CURR?<NL> or TRIG<end-of-line>). The message unit may include a data parameter after the keyword separated by a space; the parameter is usually numeric (e.g., CURR 5<NL>), but may also be a string (e.g., OUTP ON<NL>). Figure 3-12 illustrates the message structure, showing how message units are combined. The following subparagraphs explain each component of the message structure.

NOTE: An alternative to using the message structure for multiple messages defined in the following paragraphs is to send each command as a separate line. In this case each command must use the full syntax shown in Appendix B.

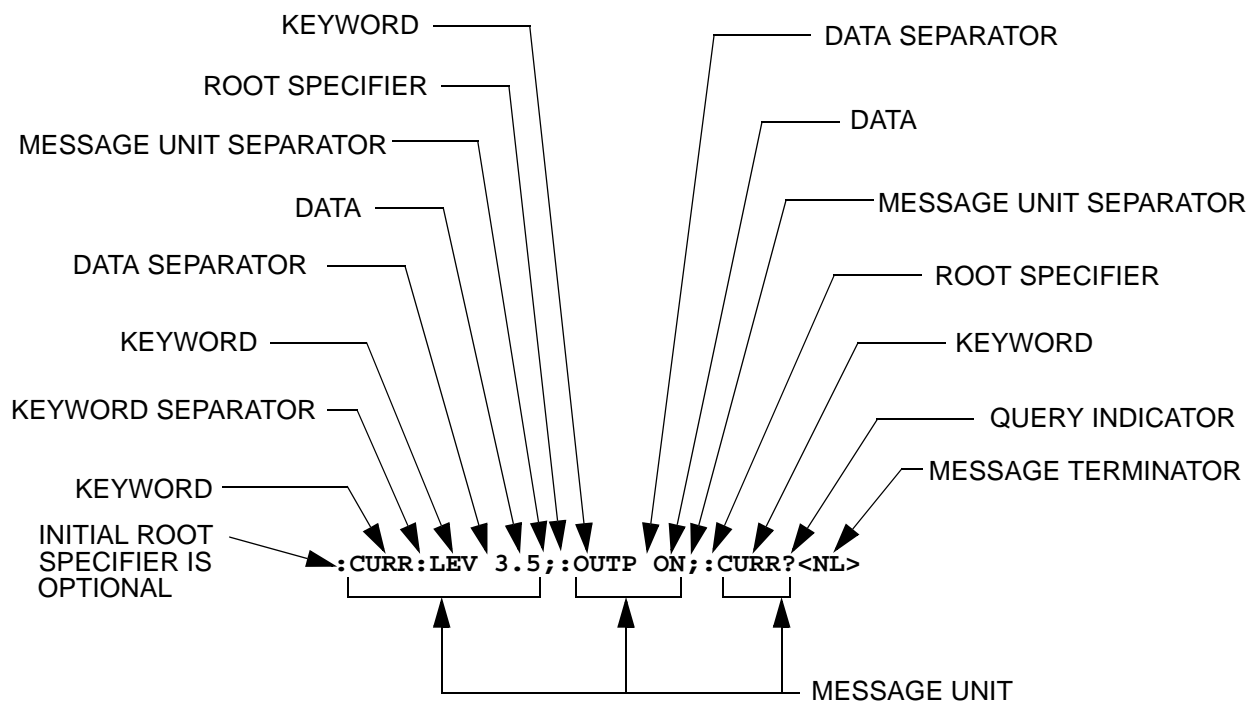


FIGURE 3-12. MESSAGE STRUCTURE

### 3.7.4.1 KEYWORD

Keywords are instructions recognized by a decoder within the Interface Card, referred to as a “parser.” Each keyword describes a command function; all keywords used by the Interface Card are listed in Figure 3-11.

Each keyword has a long form and a short form. For the long form the word is spelled out completely (e.g. STATUS, OUTPUT, VOLTAGE, and TRIGGER are long form keywords). For the short form only the first three or four letters of the long form are used (e.g., STAT, VOLT, OUTP, and TRIG).

To identify the short form and long form in this manual, keywords are written in upper case letters to represent the short form, followed by lower case letters indicating the long form (e.g., IMMEDIATE, EVENT, and OUTPUT). The parser, however, is not sensitive to case (e.g., outp, OutP, OUTPUT, ouTPut, or OUTP are all valid).

You must use the rules above when using keywords. Using an arbitrary short form such as ENABL for ENAB (ENABLE) or IMME for IMM (IMMEDIATE) will result in an error. Regardless of which form chosen, you must include all the letters required by that form.

### 3.7.4.2 KEYWORD SEPARATOR

If a command has two or more keywords, adjacent keywords must be separated by a colon (:) which acts as the keyword separator (e.g., **CURR:LEV:TRIG**). The colon can also act as a root specifier (paragraph 3.7.4.7).

### 3.7.4.3 QUERY INDICATOR

The question mark (?) following a keyword is a query indicator. This changes the command into a query. If there is more than one keyword in the command, the query indicator follows the last keyword. (e.g., **VOLT?** and **MEAS:CURR?**).

### 3.7.4.4 DATA

Some commands require data to accompany the keyword either in the form of a numeric value or character string. Data always follows the last keyword of a command or query (e.g., **VOLT:LEV:TRIG 14** or **SOUR:VOLT? MAX**).

### 3.7.4.5 DATA SEPARATOR

Data must be separated from the last keyword by a space (e.g., **VOLT:LEV:TRIG 14** or **SOUR:VOLT? MAX**).

### 3.7.4.6 MESSAGE UNIT SEPARATOR

When two or more message units are combined in a program message, they must be separated by a semicolon (;) (e.g., **VOLT 15;MEAS:VOLT?** and **CURR 12;CURR:TRIG 12.5**).

### 3.7.4.7 ROOT SPECIFIER

The root specifier is a colon (:) that precedes the first keyword of a program message. This places the parser at the root (top left, Figure 3-11) of the command tree. Note the difference between using the colon as a keyword separator and a root specifier in the following examples:

**VOLT:LEV:IMM 16** The root specifier is not necessary for the first keyword and has been omitted. Both colons are keyword separators.

**:CURR:LEV:IMM 4** Even though it is not required, it is still correct to include the root specifier (first colon). The other two are keyword separators.

**VOLT:LEV 6;:CURR:LEV 15** The root specifier for VOLT is not necessary because it is the first keyword in the string and has not been included. The second colon is the root specifier for CURR and is required; if it is missing an error will result. The first and third colons are keyword separators.

**:INIT ON;:TRIG;:MEAS:CURR?;VOLT?** The first three colons are root specifiers. The fourth colon is a keyword separator.

### 3.7.4.8 MESSAGE TERMINATOR

The message terminator defines the end of a message. Three message terminators are permitted:

- new line (<NL>), ASCII 10 (decimal) or 0A (hex)
- carriage return (<CR>), ASCII 13 (decimal) or 0D (hex)
- both of the above (<CR> <NL>). If both are sent, the second is null and has no effect.

Your GPIB interface card software will automatically send a message terminator. For example, the HP BASIC OUTPUT statement inserts <NL> after the last data byte. When binary data is exchanged, <END> must be used. The combination <NL><END> terminator can be used for all data except binary data.

NOTE: Kepco power modules *require* a message terminator at the end of each program message. The examples shown in this manual assume a message terminator will be added at the end of each message. Where a message terminator is shown it is represented as <NL> regardless of the actual terminator character.

### 3.7.5 UNDERSTANDING THE COMMAND STRUCTURE

Understanding the command structure requires an understanding of the subsystem command tree illustrated in Figure 3-11. The "root" is located at the top left corner of the diagram. The parser goes to the root if:

- a message terminator is recognized by the parser
- a root specifier is recognized by the parser

*Optional keywords* are enclosed in brackets [ ] for identification; optional keywords can be omitted and the channel will respond as if they were included in the message. The root level keyword [SOURCE] is an optional keyword. Starting at the root, there are various branches or paths corresponding to the subsystems. The root keywords for the Interface Card are :INITiate, :MEASure, :OUTPut, [:SOURCE], :STATus, and :SYSTem. Because the [SOURCE] keyword is optional, the parser moves the path to the next level, so that VOLTage, CURRent, and FUNction commands are at the root level.

Each time the parser encounters a keyword separator, the parser moves to the next indented level of the tree diagram. As an example, the STATus branch is a root level branch that has three sub-branches: OPERation, PRESet, and QUEStionable. The following illustrates how SCPI code is interpreted by the parser:

**STAT:PRES<NL>**

The parser returns to the root due to the message terminator.

**STAT:OPER?;PRES<NL>**

The parser moves one level in from STAT. The next command is expected at the level defined by the colon in front of OPER?. Thus you can combine the following message units STAT:OPER? and STAT:PRES;

**STAT:OPER:COND?;ENAB 16<NL>**

After the OPER:COND? message unit, the parser moves in one level from OPER, allowing the abbreviated notation for STAT:OPER:ENAB.

### 3.7.6 PROGRAM MESSAGE SYNTAX SUMMARY

- Common commands begin with an asterisk (\*).
- Queries end with a question mark (?).
- Program messages consist of a root keyword and, in some cases, one or more message units separated by a colon (:) followed by a message terminator. Several message units of a program message may be separated by a semicolon (;) without repeating the root keyword.
- If a program message has more than one message unit, then a colon (:) must precede the next keyword in order to set the parser back to the root (otherwise the next keyword will be taken as a subunit of the previous message unit).

e.g., the command `meas:volt?;curr?` will read output voltage and output current since both `volt?` and `curr?` are interpreted as subunits of the `meas` command.

- Several commands may be sent as one message; a line feed terminates the message. Commands sent together are separated by a semicolon (;). The first command in a message starts at the root, therefore a colon (:) at the beginning is not mandatory.

e.g., the command `meas:volt?;curr?` will read output voltage and output current, however the command `meas:volt?;:curr?` will read actual output voltage and *programmed current* since the colon preceding `curr?` indicates that `curr?` is not part of the `meas` command and starts at the root.

- UPPER case letters in mnemonics are mandatory (short form). Lower case letters may either be omitted, or must be specified completely (long form)  
e.g., `INSTrument` (long form) has the same effect as `INST` (short form).
- Commands/queries may be given in upper/lower case (long form)  
e.g., `soURCe` is allowed.
- Text shown between brackets [] is optional.  
e.g., `[ SOUR: ]VOLT [ :LEV ] :TRIG` has the same effect as `VOLT :TRIG`

### 3.7.7 SCPI PROGRAM EXAMPLE

Figure 3-13 is an example of a program written in Visual C using SCPI commands to program a BOP 2X-DE Power Supply channel. The Visual C project for this example is part of the Sample VISA programs for Visual Studio file that can be downloaded from Kepco's Website (see [www.kepcopower.com/drivers/drivers-dl3.htm#bit802e](http://www.kepcopower.com/drivers/drivers-dl3.htm#bit802e)). If it does not compile due to undefined functions, the issue is related to the importing of the `visa.lib` file in your project. It may be located in a different place than our supplied project and must be corrected.

The program illustrated is for a configuration using a National Instruments GPIB interface card. (It will be necessary to consult the manufacturer's data to achieve comparable functions with an interface card from a different manufacturer.) This program sets output voltage (Voltage mode) or voltage limit (Current mode) to 5V, and current limit (Voltage mode) or output current (Current mode) to 1A, then reads the measured (actual) voltage and current, then prints the measurements.

```

/* Kepco Sample Program using National Instruments VISA          */
/* note : visa32.lib must be included in your project          */
/*****
/*           Read and Write to an Instrument Example           */
/*
/* This code demonstrates synchronous read and write commands to a
/* GPIB, serial or message-based VXI instrument using VISA.
/*
/* The general flow of the code is
/*   Open Resource Manager
/*   Open VISA Session to an Instrument
/*   Write the Identification Query Using viWrite
/*   Try to Read a Response With viRead
/*   Close the VISA Session
*****/

#if defined(_MSC_VER) && !defined(_CRT_SECURE_NO_DEPRECATED)
#define _CRT_SECURE_NO_DEPRECATED
#endif

#include <stdlib.h>
#include <stdio.h>
#include <string.h>
#include "visa.h"

static ViSession defaultRM;
static ViSession instr;
static ViStatus status;
static ViUInt32 retCount;
static ViUInt32 writeCount;
static unsigned char buffer[100];
static char stringinput[512];

/*
* In every source code or header file that you use it is necessary to prototype
* your VISA variables at the beginning of the file. You need to declare the VISA
* session, VISA integers, VISA strings, VISA pointers, and VISA floating variables.
* Remember that if you are prototyping variables that are to be used as part of the
* VISA session that need this prototyping. As an example, above retCount has been
* prototyped as a static variable to this particular module. It is an integer of
* bit length 32. If you are uncertain how to declare your VISA prototypes refer
* to the VISA help under the Section titled Type Assignments Table. The VISA
* help is located in your NI-VISA directory or folder.
*/

int main(void)
{
    /*
     * First we must call viOpenDefaultRM to get the resource manager
     * handle. We will store this handle in defaultRM.
     */
    status=viOpenDefaultRM (&defaultRM);
    if (status < VI_SUCCESS)
    {
        printf("Could not open a session to the VISA Resource Manager!\n");
    }
}

```

**FIGURE 3-13. TYPICAL EXAMPLE OF INTERFACE CARD PROGRAM USING SCPI COMMANDS  
(SHEET 1 OF 4)**

```

/*
 * First we must call viOpenDefaultRM to get the resource manager
 * handle. We will store this handle in defaultRM.
 */
status=viOpenDefaultRM (&defaultRM);
if (status < VI_SUCCESS)
{
    printf("Could not open a session to the VISA Resource Manager!\n");
    exit (EXIT_FAILURE);
}

/*
 * Now we will open a VISA session to a device at Primary Address 6.
 * You can use any address for your instrument. In this example we are
 * using GPIB Primary Address 6.
 *
 * We must use the handle from viOpenDefaultRM and we must
 * also use a string that indicates which instrument to open. This
 * is called the instrument descriptor. The format for this string
 * can be found in the NI-VISA User Manual.
 * After opening a session to the device, we will get a handle to
 * the instrument which we will use in later VISA functions.
 * The two parameters in this function which are left blank are
 * reserved for future functionality. These two parameters are
 * given the value VI_NULL.
 *
 * This example will also work for serial or VXI instruments by changing
 * the instrument descriptor from GPIB0::2::INSTR to ASRL1::INSTR or
 * VXI0::2::INSTR depending on the necessary descriptor for your
 * instrument.
 */
status = viOpen (defaultRM, "GPIB0::6::INSTR", VI_NULL, VI_NULL, &instr);
if (status < VI_SUCCESS)
{
    printf ("Cannot open a session to the device.\n");
    goto Close;
}

/*
 * Set timeout value to 5000 milliseconds (5 seconds).
 */
status = viSetAttribute (instr, VI_ATTR_TMO_VALUE, 5000);
/*
 * At this point we now have a session open to the instrument at
 * Primary Address 6. We can use this session handle to write
 * an ASCII command to the instrument. We will use the viWrite function
 * to send the string "*IDN?", asking for the device's identification.
 */
strcpy(stringinput,"*IDN?");
status = viWrite (instr, (ViBuf)stringinput, (ViUInt32)strlen(stringinput), &writeCount);
if (status < VI_SUCCESS)
{
    printf("Error writing to the device\n");
    goto Close;
}

```

**FIGURE 3-13. TYPICAL EXAMPLE OF INTERFACE CARD PROGRAM USING SCPI COMMANDS  
(SHEET 2 OF 4)**



```

/*
 * Now we will attempt to read back a response from the device to
 * the identification query that was sent. We will use the viRead
 * function to acquire the data. We will try to read back 100 bytes.
 * After the data has been read the response is displayed.
 */

status = viRead (instr, buffer, 100, &retCount);
if (status < VI_SUCCESS)
{
    printf("Error reading a response from the device\n");
}
else
{
    printf("%*s\n",retCount,buffer);
}

/** Set Output Volt & Curr Values & enable output **/

strcpy(stringinput, "volt 5::curr 1::outp on");
status = viWrite(instr, (ViBuf)stringinput, (ViUInt32)strlen(stringinput), &writeCount);
if (status < VI_SUCCESS)
{
    printf("Error writing to the device\n");
    goto Close;
}
printf("ready - hit a key to continue\n"); getchar();

/** send measure volt & curr cmnds & get response **/

strcpy(stringinput, "meas:volt?::meas:curr?");
status = viWrite(instr, (ViBuf)stringinput, (ViUInt32)strlen(stringinput), &writeCount);
if (status < VI_SUCCESS)
{
    printf("Error writing to the device\n");
    goto Close;
}

status = viRead(instr, buffer, 100, &retCount);
if (strchr(buffer, 10) || strchr(buffer, 10)[0] = 0; // terminate the buffer so we don't get
trailing garbage
if (status < VI_SUCCESS)
{
    printf("Error reading a response from the device\n");
}
else
{
    printf("Volt;Curr : %*s\n", retCount, buffer);
}

printf("ready - hit a key to continue\n"); getchar();

```

**FIGURE 3-13. TYPICAL EXAMPLE OF INTERFACE CARD PROGRAM USING SCPI COMMANDS  
(SHEET 3 OF 4)**

```

/** send a reset */
printf("resetting\n"); strcpy(stringinput, "*rst");
status = viWrite(instr, (ViBuf)stringinput, (ViUInt32)strlen(stringinput), &writeCount);
if (status < VI_SUCCESS)
{
    printf("Error writing to the device\n");
    goto Close;
}

printf("ready - hit a key to continue\n"); getchar();

/*
 * Now we will close the session to the instrument using
 * viClose. This operation frees all system resources.
 */
Close:
printf("Closing Sessions\nHit enter to continue.");
fflush(stdin);
getchar();
status = viClose(instr);
status = viClose(defaultRM);

return 0;
}

```

**FIGURE 3-13. TYPICAL EXAMPLE OF INTERFACE CARD PROGRAM USING SCPI COMMANDS  
(SHEET 4 OF 4)**

### 3.8 ENHANCED OPERATION

The following paragraphs describe options that will permanently modify the behavior of the LAN interface and associated BOP channel. Although these options use SCPI commands, they are not intended to be used during normal programming of the BOP output.

The commands described in the following paragraphs affect only RAM variables. The power up state of the variables is retrieved from the FLASH EEPROM. The command MEMORY:UPDATE can be used to copy this RAM information to the FLASH EEPROM. The WINDOW variable is stored using the command MEM:UPDATE SHUTDOWN and the other variables, including the DIAG:SAV command, use the command MEMORY:UPDATE INTERFACE

#### 3.8.1 ERROR DETECTION

The BIT 802E card has the ability to alter the way the unit responds to detection of load and settings errors. The default behavior is for the BIT 802E to measure the main channel and verify that it is within the specified channel tolerances of the BOP, setting the appropriate bits in the Status Questionable register. This default behavior is established by the SYST:SEC:IMM command and the factory default window of 32 LSBs.

The default behavior can be modified using the DIAG:ERR, DIAG:ONL, DIAG:OFFL AND DIAG:WIN commands listed in Table 3-2 so that device errors are generated for conditions such as window exceeded, output current limit at setting and output current exceeding a hard limit. These errors can also be used to force the unit to go to an output off state upon detecting the errors. The behavior is altered, the new setting is stored in RAM and it remains in effect until a power off/power on cycle. The settings can be saved for power up by sending the MEMORY:UPDATE SHUTDOWN command. Error responses are listed in Table 3-2.

### 3.8.2 LIMIT CHANNEL CONTROL

The unit supports three limit settings for the output off state. The standard configuration is for the limits to be set to the minimum levels which causes the output not to vary beyond the BOX limits defined in the BOP manual. The limits can also be set to maximum or 110% of rated voltage or current. This is useful for battery operation. These limit settings are established by the DIAG:OUTPut command. With other types of devices, it is possible to set the output off limit channels to be at any level by using the DIAG:OFFLimit commands to establish the limit for the output off state. DIAG:OUTP n<sub>H</sub> (see Table 3-2) controls the limit DAC values when the output is set to OFF; n = 0 is the default. This sets both voltage and current limit channels to 0 when the output is off. n = 1 sets voltage limit to maximum when the output is off. n = 2 sets the current limit to the maximum when the output is off. Bits 2 and 3 of the hex character allow the DIAG:OFFLimit commands to establish a specific voltage limit and current limit, respectively, when the output is off. Bits 0 and 2 or bits 1 and 3 should not be set at the same time since the maximum setting will override the value specified by DIAG:OFFLimit. The SYST:SEC:IMM command sets DIAG:OUTP n = 0. The variables are stored in non-volatile EEPROM by the command MEMORY:UPDATE INTERFACE.

### 3.8.3 USING AND SAVING SYSTEM VARIABLES

The DIAG:SAV command prepares the variables established by the SYST:SET command see (PAR. B.86) to be stored and used for subsequent power up cycles. However, executing SYST:SEC:IMM (PAR. B.85) restores the following configuration for subsequent power up cycles: LF0, DC0, RO0. In addition to initializing all the variables (except password) to the default state, SYST:SEC:IMM clears the SAV setup area and performs a PACK of the memory partitions (see PAR. 3.8.4).

Saving LF1 means that the unit will provide a line feed if the buffer is empty and a read is performed. Saving LF0 means that each string sent to the GPIB port causes a null string to be transmitted. The null string is a single Line feed character. This command is useful during program debug as a read without a query will not hold up the bus.

Saving DC0 means that DCL and SDC have no effect on the device (power supply channel) except to clear internal status registers. Saving DC1 means that DCL and SDC commands will function the same as the \*RST command: the output is set to 0 Volts, 0 Amperes, voltage mode is selected and the output is set to OFF (unless RO1 is also set).

Saving RO0 causes the \*RST command to set the output to 0 Volts and 0 Amps and sets output to OFF, requiring an OUTP ON command to be sent before voltage/current commands are present at the output. Saving RO1 causes \*RST to set the output to ON and sets the output to 0 Volts and 0 Amps. Subsequent VOLT and CURR commands affect the output directly without having to send OUTP ON. The OUTP ON and OUTP OFF commands function normally to turn the output on and off.

### 3.8.4 FLASH MEMORY EEPROM OPERATION

The unit's configuration, voltage and current, saved setups (\*SAV and \*RCL command) and Calibration values are stored in Flash Memory. Since the Flash EEPROM cannot be modified by writing a single data byte, the block must be erased and then the data written into the correct locations.

The LAN interface accomplishes this by partitioning the Flash memory. As the amount of Flash memory used becomes larger with each subsequent data update, the Flash memory can fill up and needs to be compressed. The compression of the Flash EEPROM, called packing, is auto-

matically handled by the LAN interface microprocessor's code. The packing process can take a half a second to accomplish. Because it is automatically executed, it can occur after any \*SAV, Memory:UPDATE, or save of Calibration. When the memory is out of space, the internal microprocessor copies the live data to a backup flash area, erases the main flash data area, copies the current control variables into this clean space and then erases the backup flash area. The pack process can take 500 milliseconds to complete. Packing is automatically invoked during power up initialization if the LAN interface finds that any storage area is over 90% utilized.

The following statistics are a guide as to when a MEMORY PACK will occur.

- Save area - Approximately 300 \*SAV operations can be completed before a PACK will occur automatically.
- Variable area - around 30 updates can be completed prior to an automatic PACK occurring. Variable areas also include serial number updates and password updates.
- Calibration - 16 calibrations can be saved before a PACK is required.

If the memory is over 80% full, the user can also initiate packing by sending the command MEMORY:PACK. Issuing a MEMORY:PACK command if the memory is less than 80% full will have no effect. Because this command may take a long time to complete, it is recommended that the user send MEMORY:PACK;\*ESR?. The computer can then perform serial polls to wait for the command to complete. The command will be complete when the serial poll byte indicates there is data in the output buffer. (bit 4 set in the returned status byte).

**TABLE 3-2. ENHANCED OPERATION - ERROR RESPONSE**

COMMAND	QUERY	DESCRIPTION
DIAG:ERR:CURR xx (xx =hex values from 00 to FF) Factory default value: 0	DIAG:ERR:CURR?	Allows both current protect and current limit functionality. Bit 7 - when set will establish a fixed Current Limit level when output is ON. Bit 6 - when set enables the current protection error logic. Bit 5 - when set enables Current Protect error bit in ESR/ESE register Bit 4 - when set causes the power up and reset state of the ESE register to be as follows: ESE - 72 if bit 5 set, 8 if not set. Bit 3 - when set allows a current protect error to create an error message of "303 - Current above Protection limit." Bit 2 - when set causes a current protect error to set the output to off. Bit 1 - when sets allows a current measurement in current mode to generate a "Device Error" message. Bit 0 - when set enables a current measurement error in current mode to shut down unit. The query provides one byte which indicates the current limit setting.
DIAG:ERR:VOLT xx (xx =hex values from 00 to FF) Factory default value: 0	DIAG:ERR:VOLT?	Allows voltage protect and voltage limit functionality. Bit 7 - when set establishes a fixed Voltage Limit level when output is ON. Bit 6 - when set enables the voltage protection error logic. Bit 3 - when set allows a voltage protect error to create an error message of "304 - Voltage above Protection limit" Bit 2 - when set causes a voltage protect error to set the output to off. Bit 1 - when set allows a voltage measurement error in voltage mode to generate a "Device Error" message. Bit 0 - when set allows voltage "device error" message (see bit 1) to set the output to off. The query provides one byte which indicates the voltage limit setting.

**TABLE 3-2. ENHANCED OPERATION - ERROR RESPONSE (CONTINUED)**

COMMAND	QUERY	DESCRIPTION
DIAG:OFFLimit:CURR xx (xx = decimal value) Factory default value: 0	DIAG:OFFLimit:CURR?	The decimal value allows the user to establish the actual current limit DAC (digital to analog converter) setting when the output is off and the unit is in voltage mode. This variable is only used when bit 4 of the DIAG:OUTP register is set. The value is calculated using the equation: $\text{Current expected} / (\text{Current max} * 1.1) * 256.$ The DVS standard setting is 128 derived from $(1.1 / 2.2) * 256$ . The query provides one byte which indicates the actual DAC current limit setting.
DIAG:OFFLimit:VOLT xx (xx = decimal value) Factory default value: 0	DIAG:OFFLimit:VOLT?	The decimal value allows the user to establish the actual voltage limit DAC (digital to analog converter) setting when the output is off and the unit is in current mode. This variable is only used when bit 3 of the DIAG:OUTP register is set. The value is calculated using the equation: $\text{Voltage expected} / \text{Voltage max} * 1.1) * 256$ The DVS standard setting is 0. The query provides one byte which indicates the actual DAC current limit setting.
DIAG:ONLimit:CURR xx (xx = decimal value) Factory default value: 0	DIAG:ONLimit:CURR?	The decimal value allows the user to establish the actual current limit DAC (digital to analog converter) setting when the output is on and the unit is in voltage mode. This variable is only used when bit 7 of the DIAG:ERR:CURR register is set. The value is calculated using the equation: $\text{Current expected} / (\text{Current max} * 1.1) * 256.$ The DVS standard setting is 128 derived from $(1.1 / 2.2) * 256$ . The query provides one byte which indicates the actual DAC current limit setting.
DIAG:ONLimit:VOLT xx (xx = decimal value) Factory default value: 0	DIAG:ONLimit:VOLT?	The decimal value allows the user to establish the actual voltage limit DAC (digital to analog converter) setting when the output is on and the unit is in current mode. This variable is only used when bit 7 of the DIAG:ERR:VOLT register is set. The value is calculated using the equation: $\text{Voltage expected} / \text{Voltage max} * 1.1) * 256$ The DVS standard setting is 0. The query provides one byte which indicates the actual DAC current limit setting.
DIAG:OUTP n (n = hex character)	DIAG:OUTP? (Returns hex character)	DIAG:OUTP n controls the limit DAC values when the output is set to OFF. The values can either be set to maximum or to a user determined limit value (using the DIAG:OFFLimit commands. The SYST:SEC:IMM command sets DIAG:OUTP n = 0.  DIAG:OUTP 0 = the default. This sets both voltage and current limit channels to 0 when the output is off. The four bits of the hex character are defined as follows:  Bit 0 = 1 sets voltage limit to maximum when in Voltage mode and the output is off. Bit 1 = 1 sets current limit to maximum when in Current mode and the output is off. Bit 2 = 1 sets voltage limit to value determined by the DIAG:OFFLimit:VOLT command when the output is off. Bit 3 = 1 sets current limit to value determined by the DIAG:OFFLimit:CURR command when the output is off.  For example, DIAG:OUTP 3 = sets both voltage and current limit to maximum. This can be useful for battery applications where the limit channel can allow the battery to discharge the battery voltage. Using both the maximum and DIAG:OFFLimit options (e.g., bits 0 and 2) at the same time is not recommended - the maximum value overrides the DIAG:OFFLimit setting.
DIAG:SAV	n/a	DIAG:SAV stores variables established by SYST:SET. (See PAR. 3.8.3 and B.82.)

**TABLE 3-2. ENHANCED OPERATION - ERROR RESPONSE (CONTINUED)**

COMMAND	QUERY	DESCRIPTION										
DIAG:WIN xx (xx = hex value from 10 to 40) <sup>1</sup> Factory default value: 10	DIAG:WIN? (Returns window value xx (hex))	Allows user to specify value in LSB's for error window used for detection of output voltage or output current measurement errors (default = 32). Error window value can only be set between 16 (10 Hex) and 64 (40 Hex) using one two-digit hex character (xx) <sup>1</sup> . Query returns 2-digit hex character xx.										
DIAG:LEADING xx (xx is the time in half milliseconds increments) (hex) Factory default value: 0	DIAG:LEADING? returns xx (hex), the time in half milliseconds increments)	<p>xx establishes max dwell time for a two-step list. If the dwell time DD for the two-step list exceeds xx, a step is inserted with voltage = 0V for (DD - xx). MSTs default = 50.</p> <p>Consider the following:</p> <table border="0"> <tr> <td>LIST:VOLT 0,5</td> <td>Two step list, 0V then 5V.</td> </tr> <tr> <td>LIST:DWEL .05</td> <td>Dwell time of 50 ms</td> </tr> <tr> <td>LIST:COUNT 0</td> <td>Repeat continuously.</td> </tr> <tr> <td>OUTP ON</td> <td>Output enabled.</td> </tr> <tr> <td>VOLT:MODE LIST</td> <td>Run program</td> </tr> </table> <p>The above list would normally produce a continuous square wave, 50ms at 0V, 50ms at 5V (Fig A). If DIAG:LEADING 50 (40 ms) is issued, the square wave changes to 60ms at 0V, 40ms at 5V as follows: the first 1/2 cycle = 50ms at 0V, the second 1/2 cycle = 40ms (the limit set by DIAG:LEADING) at 5V, then 10ms (50 - 40 = 10) at 0V (Fig B). If LIST:VOLT 0,5 is changed to LIST:VOLT -5,5 both 1/2 cycles will show 10ms steps at 0V (Fig C).</p> <p>3042752</p>	LIST:VOLT 0,5	Two step list, 0V then 5V.	LIST:DWEL .05	Dwell time of 50 ms	LIST:COUNT 0	Repeat continuously.	OUTP ON	Output enabled.	VOLT:MODE LIST	Run program
LIST:VOLT 0,5	Two step list, 0V then 5V.											
LIST:DWEL .05	Dwell time of 50 ms											
LIST:COUNT 0	Repeat continuously.											
OUTP ON	Output enabled.											
VOLT:MODE LIST	Run program											
DIAG:RESTore TO FAC- TORY (double space required before and after TO)	None	Restores diagnostic settings to the default values and stores them in non-volatile memory. This is a password protected command. This command requires string TO FACTORY to execute correctly. Possible Errors: -109,"Missing Parameter" - TO FACTORY was not found after command, double space is required on both sides of TO. -203,"Command Protected" - syst:PASS:STAT? response not 1 -311,"Memory Error" - unable to store data, try again.										
<p><sup>1</sup> The default window value of 32 indicates a 32 LSB margin for error during readback. The value for Readback is arrived at by taking 16 samples of voltage or current and averaging them. A readback error is produced when the calculated readback value (with calibration constants applied) exceeds the maximum readback (calculated readback + error window) or minimum readback (calculated readback - error window). Increasing the error window can avoid undesired errors. For example, in cases where the LIST command is used to produce a square wave output, overshoot inherent in the characteristics of the power supply can sometimes cause the readback average to increase enough to cause a readback error. Increasing the error window allows the square wave to be generated without producing an error.</p>												

### 3.8.4.1 CALIBRATION STORAGE

The LAN interface maintains the calibration tables in Flash Memory until a PACK is executed. There are six calibration areas maintained in Flash Memory: Working, Prior, Oldest, Factory, Master, and First.

The calibration can be copied to another area using the CAL:COPY command. The syntax is as follows: CAL:COPY (source) (destination) where (source) and (destination) refer to the areas of Flash memory where calibration data is stored, designated as: WORKing, PRIor, OLDest, FAC-Tory, MASTer, FIRst. Source refers to the calibration area that is to be copied, destination to the area that the calibration will be copied into.

The Master calibration should never be overwritten. Factory, Master, and First are set to the same values at the factory. The Working calibration is the active calibration. Each time a CAL:SAV is executed, the values are saved in the Working (active) area. At the same time, the values previously stored in Working are moved to Prior, and the values previously stored in Prior are moved to Oldest. The values previously stored in Oldest are no longer available. Table 3-3 illustrates calibration storage and the use of the CAL:COPY command. An example is shown in PAR. 3.5.2

**TABLE 3-3. CALIBRATION STORAGE**

COMMAND	WORKing	PRIor	OLDest	FACtory	MASTer	FIRst
1. CAL:SAVE	Cal 1 values			factory cal.	Master cal.	First cal.
2. CAL:SAVE	Cal 2 values	Cal 1 values		No Change	No Change	No Change
3. CAL:SAVE	Cal 3 values	Cal 2 values	Cal 1 values	No Change	No Change	No Change
4. CAL:SAVE	Cal 4 values	Cal 3 values	Cal 2 values	No Change	No Change	No Change
5. CAL:COPY FACtory WORKing	factory cal.	Cal 4 values	Cal 3 values	No Change	No Change	No Change
6. CAL:COPY PRIor WORKing	Cal 4 values	factory cal.	Cal 4 values	No Change	No Change	No Change

### 3.9 SERIES AND PARALLEL CONNECTION OF BOP CHANNELS

BOP channels can be connected in series to increase output voltage of the series connected pair. They can also be connected in parallel to increase output current of the parallel-connected pair.

Voltage sources, such as batteries, cells or stabilized d-c power supplies can be readily series-connected, but normally they can not be paralleled. Even small differences in their terminal potential would cause large, damaging, circulating currents. By complementary reasoning, current sources can easily be paralleled, but not series-connected.

There are two basic methods which are commonly used for the series or parallel connection of stabilized d-c power supplies. The first method is the “Automatic” series or parallel connection by which the power supply outputs are simply connected together, in series or parallel, as required. The “Automatic” method presents no problems as long as it is confined to series connection with voltage sources, or to parallel connection with current sources. The proper settings for automatic series and parallel connection are as follows:

- Automatic series connection: All BOP channels configured for voltage control. Set current limit of one channel lower than current limit for the other.

- Automatic parallel connection: All BOP channels configured for current control. Set voltage limit of one channel lower than voltage limit for the other.

The second method for series or parallel connection of BOP channels is the Master/Slave configuration, by which a designated Master channel controls the output of the Slave channel. This control method permits control of the common output by a single channel - the Master. Since this method presents the least problems for either series or parallel connections and since it is readily implemented with BOP power supplies, it is the recommended method for this kind of operation and is described below.

### 3.9.1 SERIES CONNECTION, MASTER/SLAVE OPERATION

Two BOP channels can be connected in series to increase the unit's output voltage. The Slave channel is set to always be in voltage mode, adding to the output voltage of the Master channel by repeating the Master's voltage, while the Master can operate in either voltage mode or current mode as needed.

A Master/Slave series configuration of multiple units **REQUIRES** that the slave be under analog control. However analog control is only possible if the BIT card for the channel is disabled. To disable the BIT card and allow analog control, refer to Application Note BOP 006, available on the Kepeco web site at:

[www.kepeco.com/support/bop-app-note.htm](http://www.kepeco.com/support/bop-app-note.htm)

NOTE: If the bit cards for BOTH channels are disabled, the unit will behave exactly like a BOP 2X-D power supply. In this case refer to the BOP 2X-D Operator Manual instead of this manual for all installation, operation and calibration instructions. The BOP 2X-D Operator Manual is available on the Kepeco web site at:

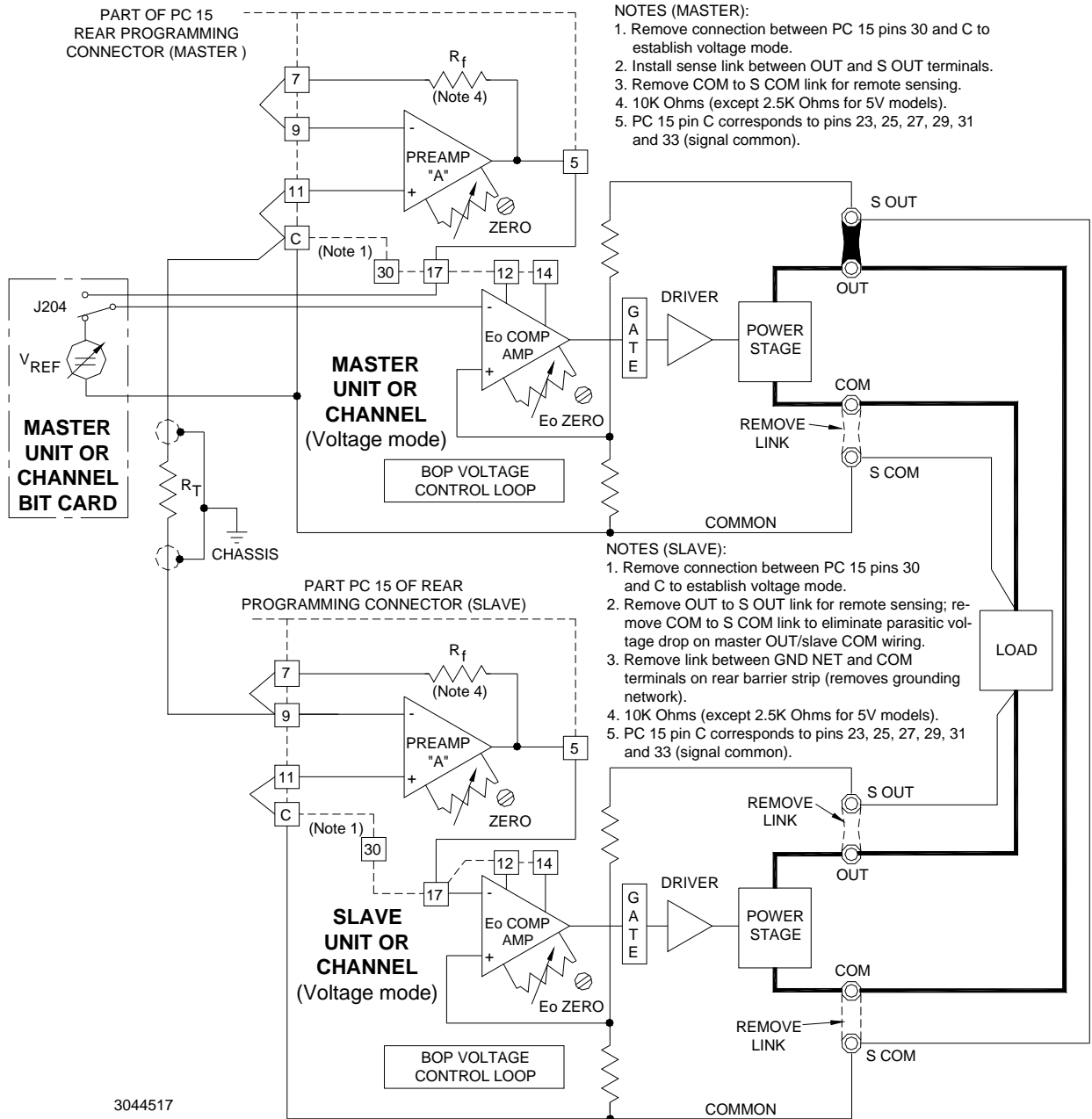
[www.kepeco.com/support/opman1s.htm#bop-2x](http://www.kepeco.com/support/opman1s.htm#bop-2x)

Proceed as follows:

1. Connect the BOP channels as shown in Figure 3-14.
  - a. Load-wire size should be rated to at least the maximum load current and load-wire pairs should be twisted or tied together to keep the inductance and EMI as low as possible. For remote sensing, use #22 AWG twisted pair wires.
  - b. Use shielded cable for connecting the coupling resistor ( $R_T$ ). Connect shield to chassis-ground. Either the positive or the negative output side of the system can be grounded.
  - c. The coupling resistor ( $R_T$ ) should be either a wirewound or a metal film component with a low temperature coefficient. It is calculated by:
 
$$R_T \text{ (KOhms)} = (E_{OM} \text{ (MAX) Volts})/1\text{mA}$$
 This value of  $R_T$  will be able to drive the Slave channel to its ( $\pm$ ) maximum output voltage as the Master channel is controlled through its range.
  - d. Make all changes to Master and Slave channels as described in the NOTES of Figure 3-14
  - e. The BOP Circuit Breaker Control Circuit, as described in PAR. 3.9.2, should be used to interconnect both BOP channels in such a way that if one of them should fail, the other one is automatically shut down also.



- Turn BOP channels on and begin operation. The system as shown in Figure 3-14 operates in Voltage Mode. When multiple channels are under digital control, the digital readback is for the master only. A good approximation for total output voltage of series configurations using two channels is to double the readback voltage (readback current is accurate).



**FIGURE 3-14. SERIES CONNECTION, VOLTAGE MODE (SHOWN), MASTER/SLAVE WITH DIGITAL CONTROL OF MASTER, REMOTE ERROR SENSING, SLAVE BIT CARD DISABLED**

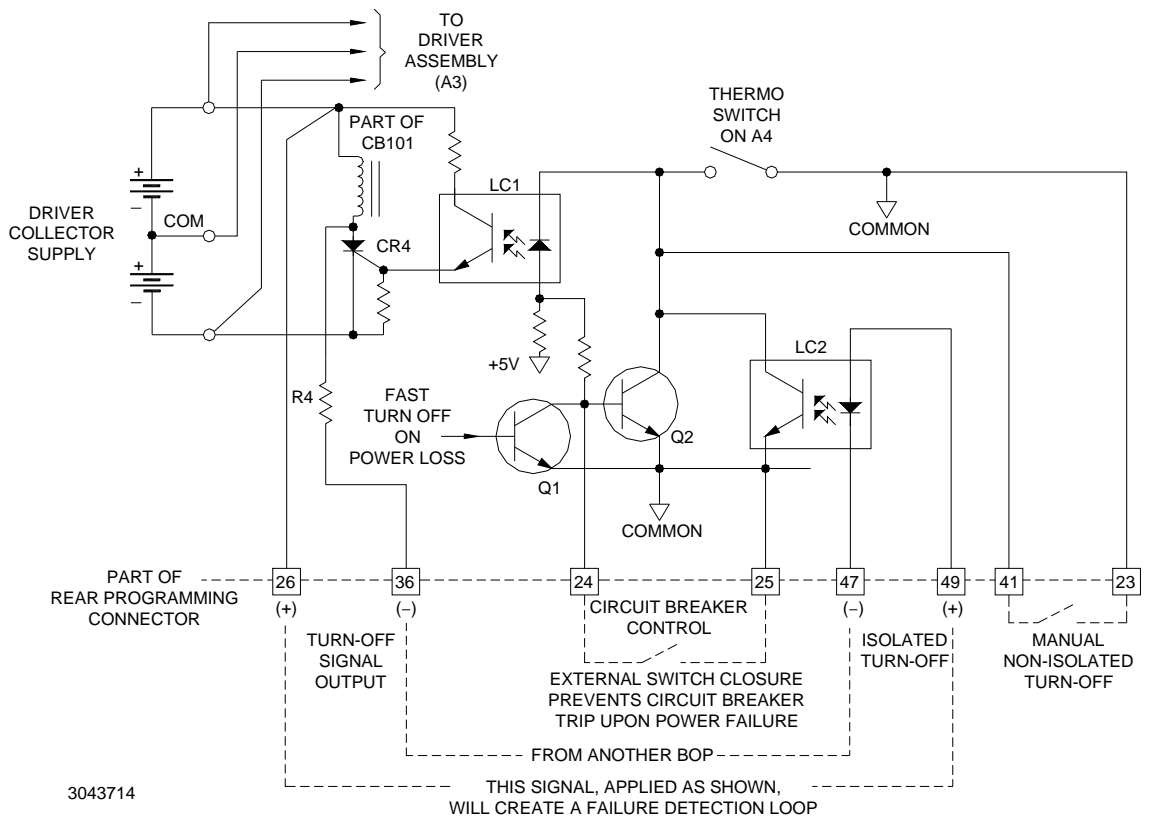
### 3.9.2 CIRCUIT BREAKER CONTROL CIRCUIT

Each BOP channel is protected by the dual-coil circuit breaker/ON-OFF switch (CB101) as shown in Figure 3-15. The current sensing coil of CB101 is connected in series with the primary winding of T201, thus detecting overcurrent reflected into the primary circuit and subsequently tripping the circuit breaker. The voltage sensing coil of CB101 is connected in series with an SCR (CR4) across the driver collector supply. If the SCR is triggered on, the voltage sensing coil is energized and trips the circuit breaker. The SCR (CR4) can be triggered in several ways:

- On a-c line power loss or interruption, Q1 will lose its turn-on bias first, due to the small time-constant provided in its base circuit (not shown in the simplified block diagram). As a result, Q2 is turned on, energizing the diode in the optical isolator (LC-1) and providing a turn-on signal for the SCR (CR4).
- In the event of an excessive heat rise on the power stage assembly, the thermal switch (S401) will close, energizing the diode in the optical isolator (LC-1), thus providing the turn-on signal for the SCR (CR4).
- An input signal applied across pins 49 (+) and 47 (–) of the PC 15 Rear Programming Connector energizes the diode in the second optical isolator (LC-2) which, in turn, energizes the diode in the first optical isolator (LC-1), thus providing for SCR turn-on.

NOTE: Upon turn-off, an isolated output signal is available at PC 15 Rear Programming Connector pins 26 (+) and 36 (–). This output signal can be used to turn off other equipment when the channel is turned off. As an example, applying it across pins 49 and 47 of the Rear Programming Connector of the other BOP channel allows the master of a parallel or series configuration to turn off the slave when the master is turned off.

- A manual, non-isolated turn-off is provided which, when implemented with an external switch contact as shown in Figure 3-15, will energize the diode in the first optocoupler (LC-1). thus providing the SCR turn-on.
- If it is not desired to trip the circuit breaker (CB101) upon a-c line power loss, it can be prevented by a connection or an external switch across pins 24 and 25 on the PC 15 Rear Programming Connector. In this manner, Q1 is inhibited from providing a turn-on signal for Q2, thus avoiding triggering the SCR and tripping the circuit breaker.



**FIGURE 3-15. CIRCUIT BREAKER CONTROL CIRCUIT, SIMPLIFIED DIAGRAM.**

### 3.9.3 PARALLEL CONNECTION, MASTER/SLAVE OPERATION

Both BOP channels of the BOP 2X-DE Dual Channel unit can be connected in parallel to increase output current. The slave channel is set to always be in current mode, adding to the output current of the master by repeating the master's current, while the master can operate in either voltage mode or current mode as needed.

A Master/Slave parallel configuration of multiple units **REQUIRES** that the slave be under analog control. However analog control is only possible if the BIT card for the channel is disabled. To disable the BIT card and allow analog control, refer to Application Note BOP 006, available on the Kepco web site at:

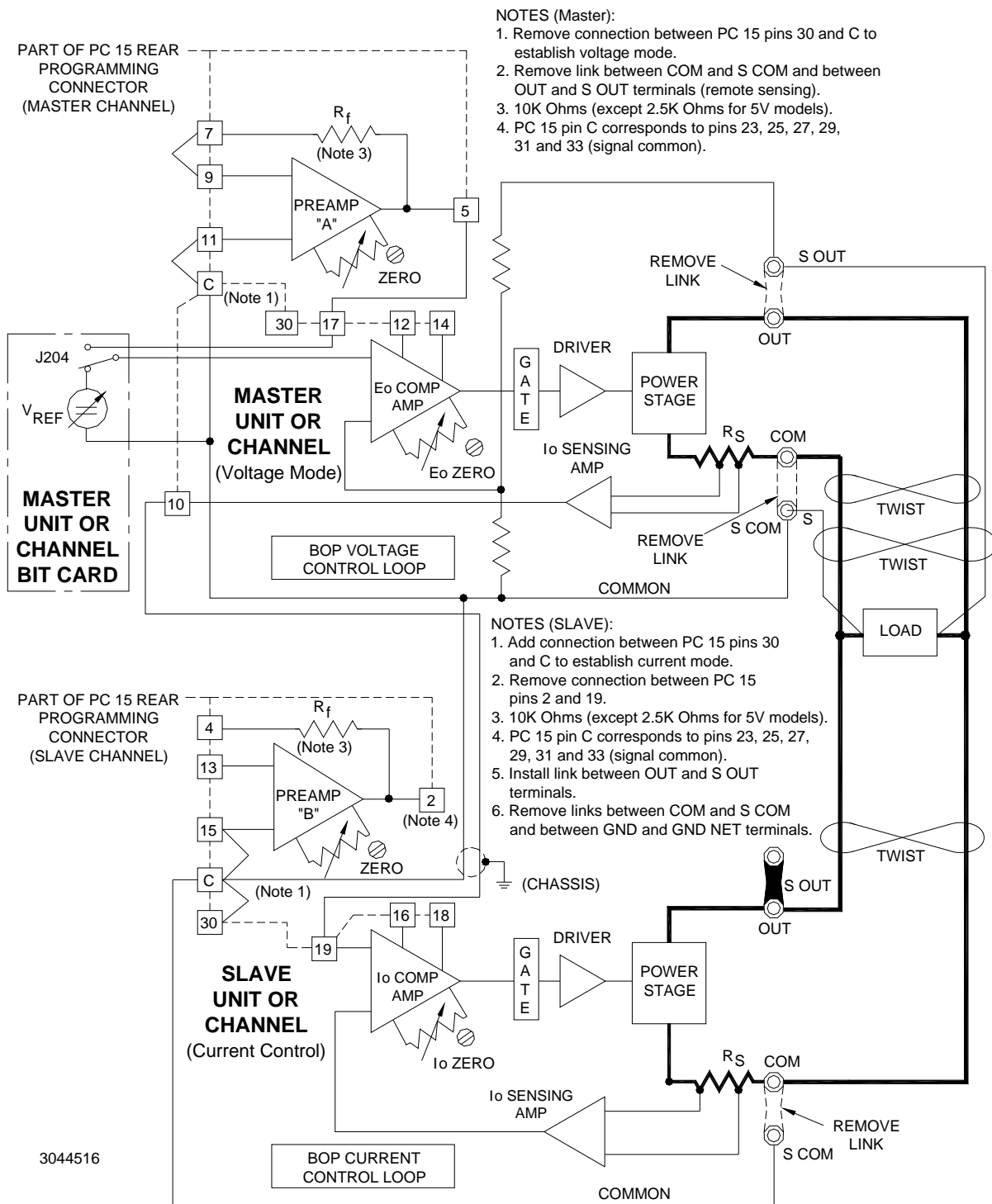
[www.kepcopower.com/support/bop-app-note.htm](http://www.kepcopower.com/support/bop-app-note.htm)

NOTE: If the bit cards for BOTH channels are disabled, the unit will behave exactly like a BOP 2X-D power supply. In this case refer to the BOP 2X-D Operator Manual instead of this manual for all installation, operation and calibration instructions. The BOP 2X-D Operator Manual is available on the Kepco web site at:

[www.kepcopower.com/support/opmanls.htm#bop-2x](http://www.kepcopower.com/support/opmanls.htm#bop-2x)

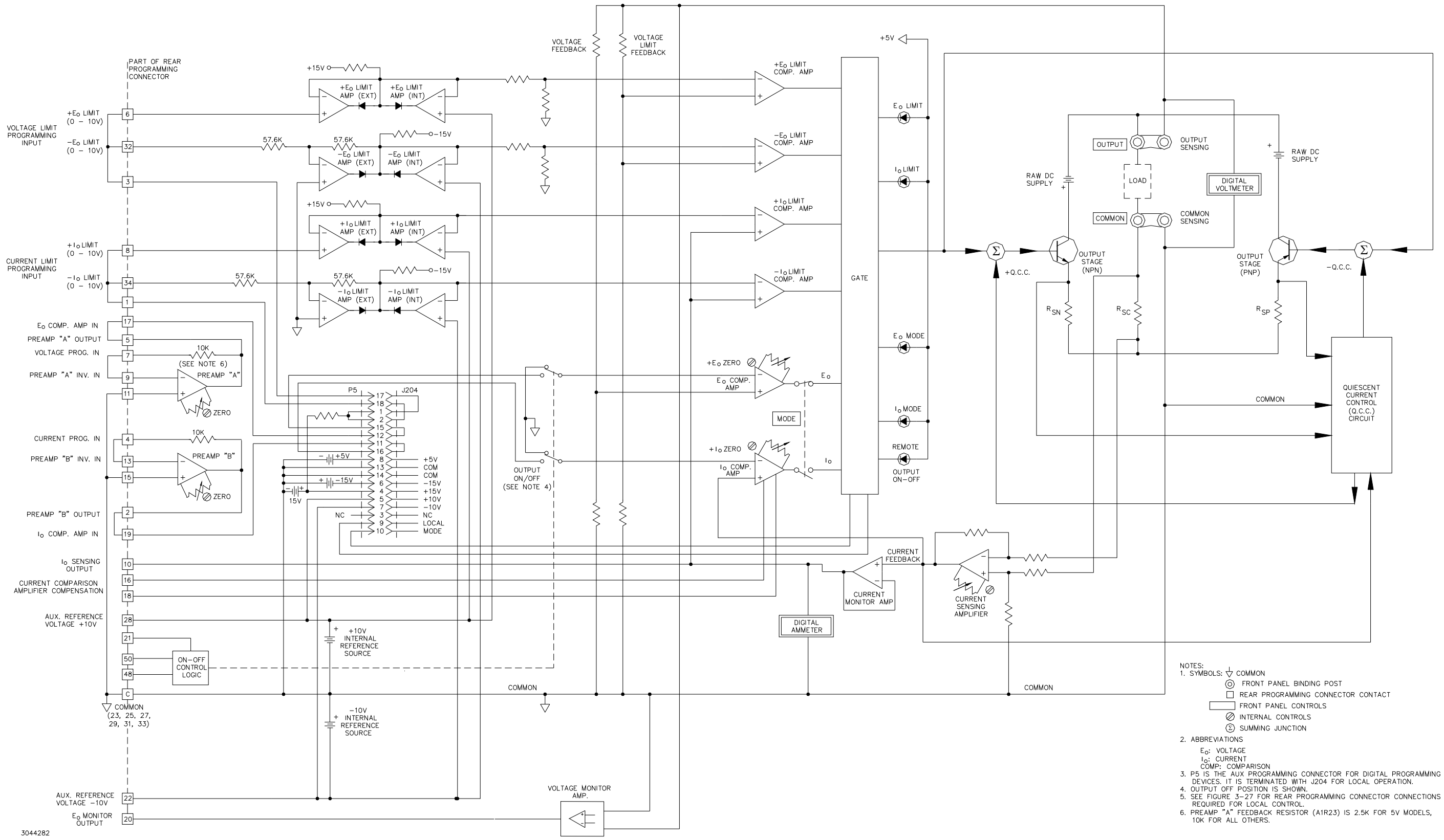
Figure 3-16 shows a parallel master/slave connection of two BOP power channels. Proceed as follows:

3. Connect the BOP channels as shown in Figure 3-16.
  - f. Make the changes to Master and Slave channels as directed in the NOTES of set-up diagram, Figure 3-16.
  - g. Load-wire size should be rated for at least the maximum load current and load-wire pairs should be twisted or tied together to keep the inductance and EMI as low as possible. Use shielded cable for the drive signal connection between the BOP channels. Connect the shield to common ground. For remote sensing, use #22 AWG twisted pair wires.
  - h. The BOP Circuit-Breaker Control Circuit, as described in PAR. 3.9.2 should be used to interconnect both BOP channels in such a way, that if one of them should fail, the other one is automatically shut down also.
4. Following the set-up procedure as described above, turn both BOP channels on and commence operation. The system as shown in the set-up diagram, Figure 3-16, operates in Voltage Mode. When multiple channels are under digital control, the digital readback is for the master only. A good approximation for total output current of parallel configurations using two channels is to double the readback current (readback voltage is accurate).



**FIGURE 3-16. PARALLEL CONNECTION, VOLTAGE MODE (SHOWN) MASTER/SLAVE WITH DIGITAL CONTROL OF MASTER, REMOTE ERROR SENSING, SLAVE BIT CARD DISABLED**



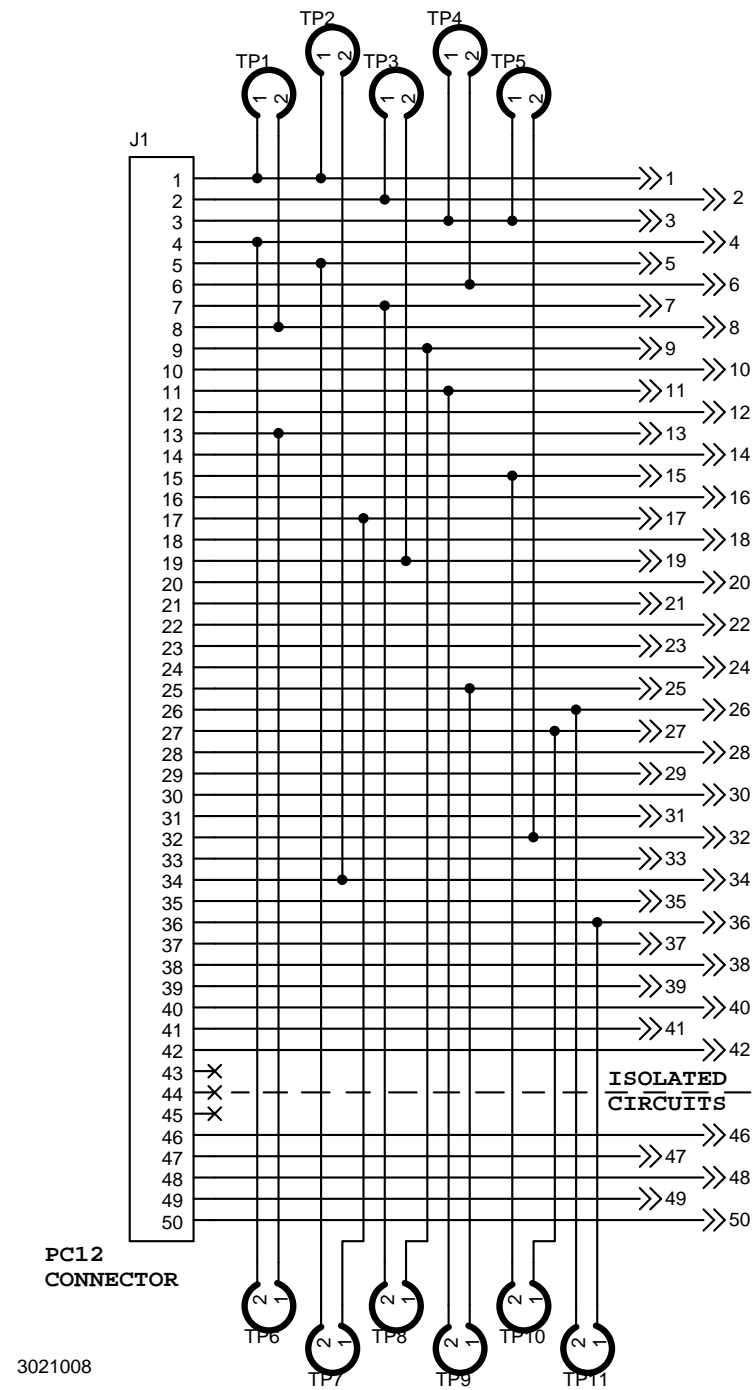


- NOTES:
- SYMBOLS:
    - ⏏ COMMON
    - ⊕ FRONT PANEL BINDING POST
    - ⊞ REAR PROGRAMMING CONNECTOR CONTACT
    - ⊞ FRONT PANEL CONTROLS
    - ⊞ INTERNAL CONTROLS
    - ⊕ SUMMING JUNCTION
  - ABBREVIATIONS
    - $E_o$ : VOLTAGE
    - $I_o$ : CURRENT
    - COMP: COMPARISON
  - P5 IS THE AUX PROGRAMMING CONNECTOR FOR DIGITAL PROGRAMMING DEVICES. IT IS TERMINATED WITH J204 FOR LOCAL OPERATION.
  - OUTPUT OFF POSITION IS SHOWN.
  - SEE FIGURE 3-27 FOR REAR PROGRAMMING CONNECTOR CONNECTIONS REQUIRED FOR LOCAL CONTROL.
  - PREAMP "A" FEEDBACK RESISTOR (A1R23) IS 2.5K FOR 5V MODELS, 10K FOR ALL OTHERS.

FIGURE 4-4. SIMPLIFIED SCHEMATIC DIAGRAM, CHANNEL 1 OR 2, BOP 2X SERIES







NOTES:

1. Connectors 195-0039 and 195-0121 both perform the same function. Connections shown are for PC 15, local control.

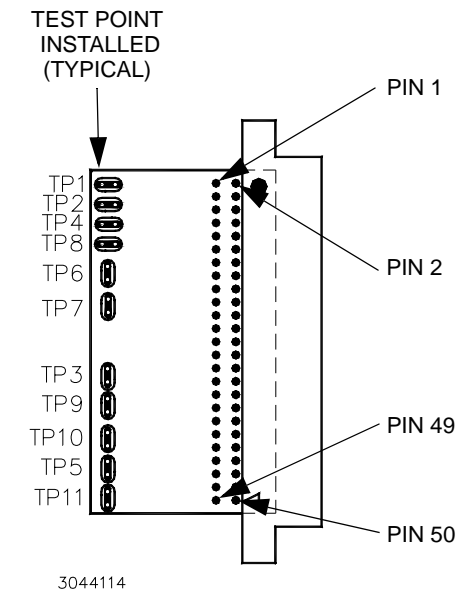
2. For P/N 195-0039, wires are added directly to the terminals for local control. User-added wires or components are connected directly to the terminals.

3. For P/N 195-0121 connections are made via the PWB traces and test points installed at the factory. The following table lists the pins connected when the test points are installed. For complete PWB connections, refer to the schematic diagram at the left.

TEST POINT	PINS CONNECTED WHEN TEST POINT INSTALLED	
	PIN 1	PIN 8
TP1	PIN 1	PIN 8
TP2	PIN 1	PIN 34
TP3	PIN 2	PIN 19
TP4	PIN 3	PIN 6
TP5	PIN 3	PIN 32
TP6	PIN 4	PIN 13
TP7	PIN 5	PIN 17
TP8	PIN 7	PIN 9
TP9	PIN 11	PIN 25
TP10	PIN 15	PIN 27
TP11	PIN 26	PIN 36

4. For P/N 195-0121 if necessary to isolate any pins connected by a test point, cut the test point. **CAUTION: Improper soldering technique may damage the PWB beyond repair.** Holes are provided at the test points for user-added wires or components. In addition, three holes per pin are provided on the PWB for user-added wires or components.

5. PC 12 (unwired) is supplied either without wires or without test points, depending on the connector used.



VIEW "B"  
P/N 195-0121  
PIN AND TEST POINT LOCATIONS

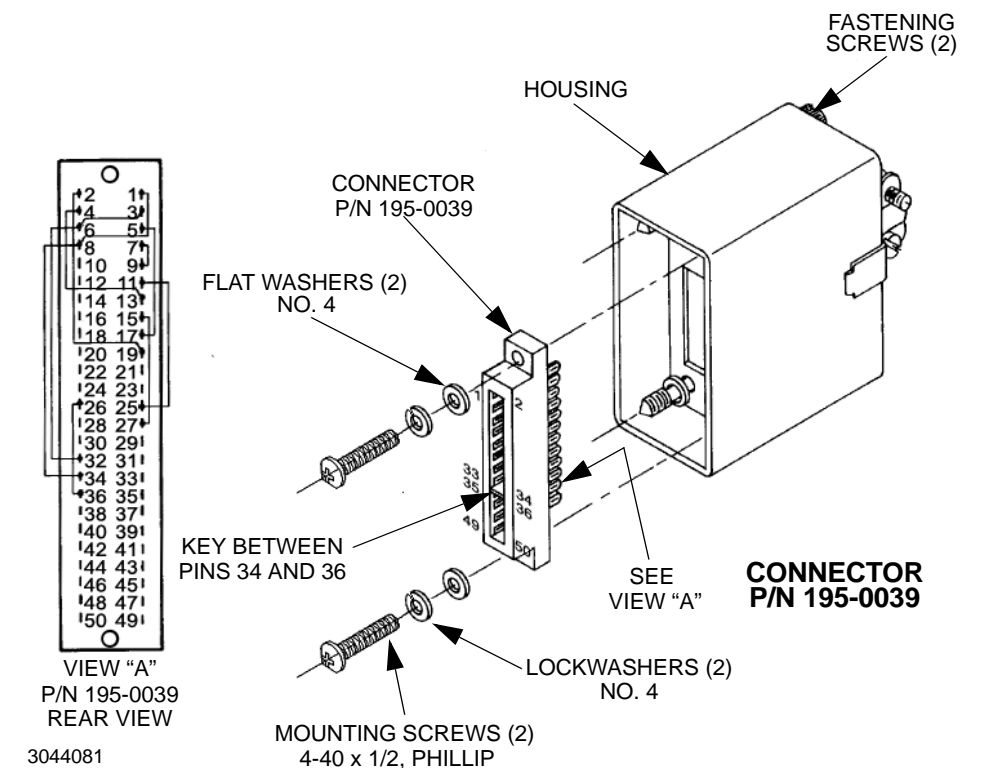
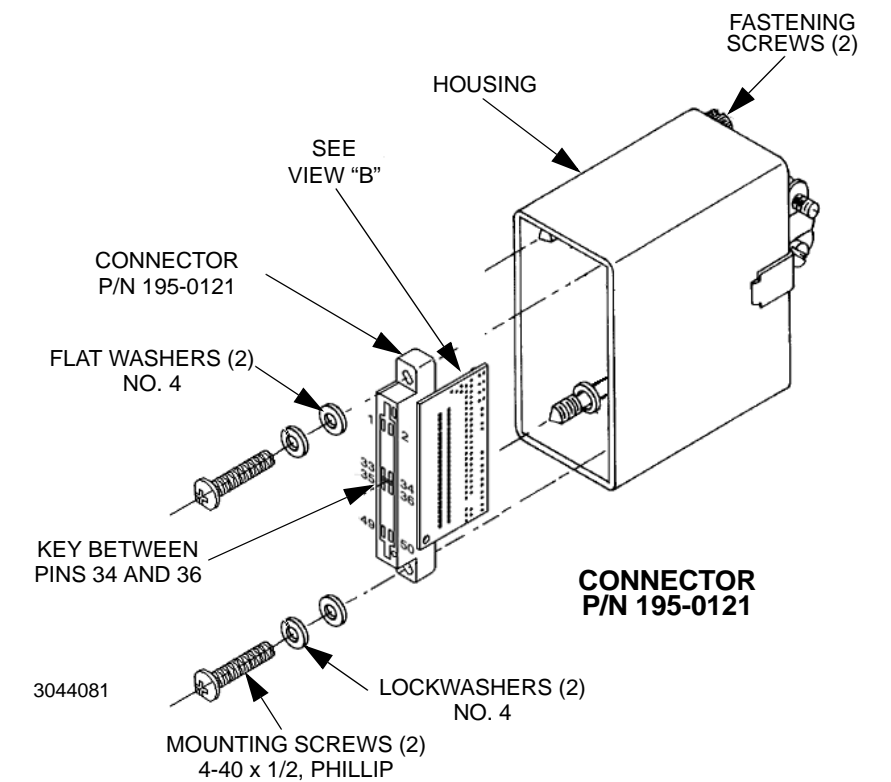


Figure 4-5. PC 15/PC 12 Rear Programming Connector Interconnections



## SECTION 4 - CALIBRATION

NOTE: The calibration procedures below are for the purpose of recalibration. Unless otherwise noted, syntax is in SCPI.

### 4.1 EQUIPMENT REQUIRED

The following is a listing of equipment required for calibration of the Interface Card installed in a Kepco "BOP 2X-DE" Series Power Supply:

Precision digital voltmeter (DVM), minimum resolution 7 digits (suggested):

Precision four-terminal current shunt (sense resistor) with suitable power rating and tolerance for the currents to be measured.

Heat sink, capable of dissipating 10 times power rating of sense resistor

Refer to Figure 4-1 for equipment connections.

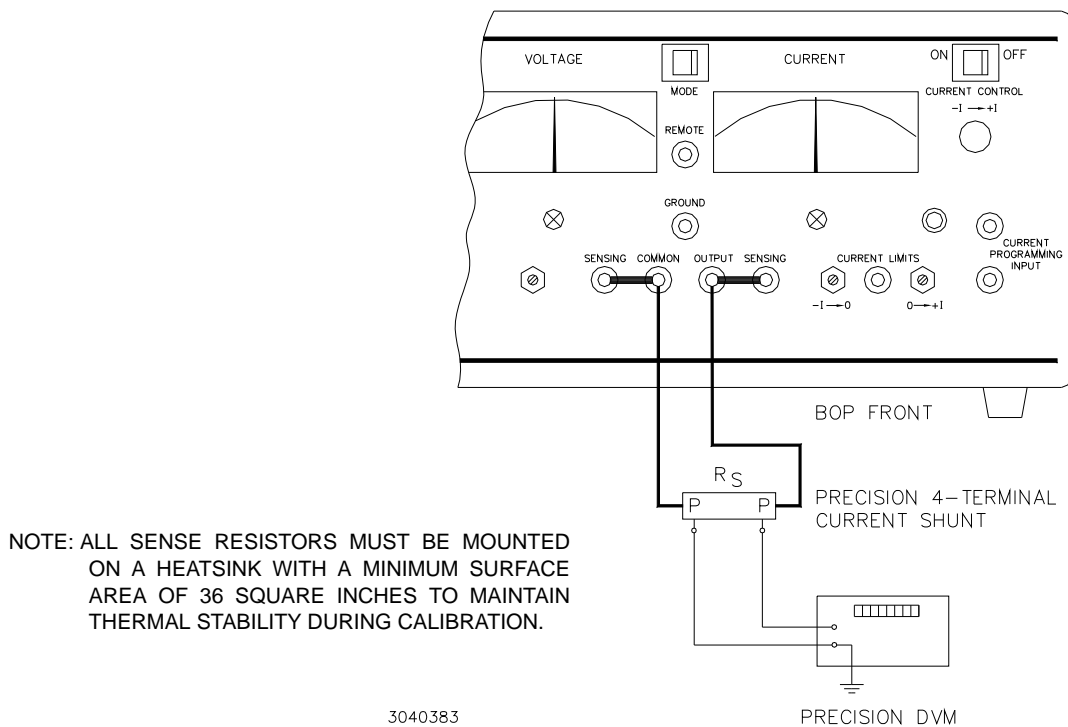


FIGURE 4-1. CURRENT SHUNT CONNECTIONS

### 4.2 CALIBRATION OF BOP 2X-DE CHANNEL

Calibration of a BOP 2X-DE channel is performed using SCPI commands. The Instrument driver available at [www.kepcopower.com/drivers/drivers-dl3.htm](http://www.kepcopower.com/drivers/drivers-dl3.htm) provides a graphical interface with informational displays and prompts which lead you through the calibration of the BOP 2X-DE channel. This VISA compliant driver provides an interface to the BIT 802E socket. The

Instrument Home page (see Figure 3-4) of the BIT 802E interface provides a valid VISA Resource String for using the driver.

Calibration using the graphical interface is described in PAR. 4.2.2; as an alternative to the graphical interface, the BOP 2X-DE channel can also be calibrated using the manual procedure described in PAR. 4.2.1.

NOTE: During calibration various circuits of the BIT 802E Interface are verified. If an error occurs during the verification process, the interface card will beep and an error 240, Hardware, will be placed in the error queue.

The calibration values for different BOP 2X-DE Models are defined in Tables 4-1 and 4-2 for voltage and current, respectively. For each step requiring a measurement during calibration the tolerance of the measurements are included in Tables 4-1 and 4-2 and are not repeated in the individual steps.

Table 4-3 lists suggested sense resistors and includes Kepco and Manufacturer's part numbers. The accuracy of these resistors is 0.1% and will result in a system accuracy of 0.11% if the listed values in Tables 4-1 and 4-2 are used. **For a system accuracy of 0.01%, measure the actual value of the sense resistor accurate to 7 places. Then calculate the expected values per Table 4-2 notes A-E; use with the listed tolerances of Table 4-2 to perform the calibration.**

**TABLE 4-1. CALIBRATION MEASUREMENTS AND TOLERANCES - VOLTAGE**

MODEL	LOW RANGE ZERO	VOLT ZERO	MAX OUTPUT	HIGH RANGE ACCURACY	LOW RANGE ACCURACY	LOW RANGE NOMINAL	VOLTAGE PROTECT ADJUST
	PAR. 4.2.1 STEP 2	PAR. 4.2.1 STEP 1	PAR. 4.2.1 STEPS 2, 3	PAR. 4.2.1 STEPS 4, 6	PAR. 4.2.1 STEPS 9, 11	PAR. 4.2.1 STEP 8	PAR. 4.2.1 STEP 13
	PAR. 4.2.2.4 STEP 2	PAR. 4.2.2.4 STEP 3	N/A	PAR. 4.2.2.4 STEPS 4, 5	PAR. 4.2.2.4 STEPS 6, 7	N/A	PAR. 4.2.2.4 STEP 8
BOP 2X5-20DE BOP 2X5-30DE	0V ±0.0003V	0V ±0.0003V	5V	5.0003V (MAX) -5.0003V (MIN) ±0.0003V	5.0003V (MAX) -5.0003V (MIN) ±0.0003V	5V	+5.003V ±0.003V
BOP 2X20-5DE BOP 2X20-10DE	0V ±0.0003V	0V ±0.0003V	20V	20.0015V (MAX) -20.0015V (MIN) ±0.0015V	5.0003V (MAX) -5.0003V (MIN) ±0.0003V	5V	+20.0035V ±0.0035V
BOP 2X36-6DE	0V ±0.0004V	0V ±0.0004V	36V	36.0027V (MAX) -36.0027V (MIN) ±0.0027	9.0006V (MAX) -9.0006V (MIN) ±0.0006	9V	+36.005V ±0.005V
BOP 2X50-2DE BOP 2X50-4DE	0V ±0.0005V	0V ±0.0005V	50V	50.0035V (MAX) -50.0035V (MIN) ±0.0035	12.5009V (MAX) -12.5009V (MIN) ±0.0009	12.5V	+50.007V ±0.007V
BOP 2X72-3DE BOP 2X72-6M	0V ±0.001V	0V ±0.001V	72V	72.005V (MAX) -72.005V (MIN) ±0.005	18.0014V (MAX) -18.0014V (MIN) ±0.0014	18V	+72.0095V ±0.0095V
BOP 2X100-1DE BOP 2X100-2DE	0V ±0.001V	0V ±0.001V	100V	100.0075V (MAX) -100.0075V (MIN) ±0.0075	25.002V (MAX) -25.002V (MIN) ±0.002	25V	+100.0125V ±0.0125V

**TABLE 4-2. CALIBRATION MEASUREMENTS AND TOLERANCES - CURRENT**

MODEL	SENSE RESISTOR VALUE (SEE NOTE AND TABLE 4-3)	LOW CURRENT ZERO	MAIN CURRENT ZERO	MAIN CURRENT NOMINAL	HIGH CURRENT ACCURACY	LOW CURRENT NOMINAL	LOW CURRENT ACCURACY	CURRENT PROTECT ADJUST
		PAR. 4.2.1 STEP 15	PAR. 4.2.1 STEP 16	PAR. 4.2.1 STEPS 17, 18	PAR. 4.2.1 STEPS 19, 21	PAR. 4.2.1 STEP 22, 23	PAR. 4.2.1 STEPS 24, 26	PAR. 4.2.1 STEP 28
		PAR. 4.2.2.4 STEP 13	PAR. 4.2.2.4 STEP 14	N/A	PAR. 4.2.2.4 STEPS 15, 16	N/A	PAR. 4.2.2.4 STEPS 17, 18	PAR. 4.2.2.4 STEP 19
<b>BOP 2X100-1DE<sup>1</sup></b>	1 Ohm	0V ±0.000025V	0V ±0.00005V	1V	1.000075V (MAX) -1.000075V (MIN) ±0.000075V	0.25V	0.25005V (MAX) -0.25005V (MIN) ±0.00005V	1.0013V ±0.0013V
<b>BOP 2X50-2DE<sup>2</sup></b> <b>BOP 2X100-2DE<sup>2</sup></b>	1 Ohm	0V ±0.00005V	0V ±0.0001V	2V	2.00015V (MAX) -2.00015V (MIN) ±0.00015V	0.5V	0.5001V (MAX) -0.5001V (MIN) ±0.0001V	2.00026V ±0.00026V
<b>BOP 2X72-3DE<sup>2</sup></b>	1 Ohm	0V ±0.000075V	0V ±0.00015V	3V	3.0003V (MAX) -3.0003V (MIN) ±0.0003V	0.75V	0.75015V (MAX) -0.75015V (MIN) ±0.00015V	3.0039V ±0.0039V
<b>BOP 2X50-4DE<sup>2</sup></b>	1 Ohm	0V ±0.0001V	0V ±0.0002V	4V	4.0004V (MAX) -4.0004V (MIN) ±0.0004V	1V	1.0002V (MAX) -1.0002V (MIN) ±0.0002V	4.0007V ±0.0007V
<b>BOP 2X20-5DE<sup>2</sup></b>	0.1 Ohm	0V ±0.0000125V	0V ±0.000025V	0.5V	0.5000375V (MAX) -0.5000375V (MIN) ±0.0000375V	0.125V	0.125025V (MAX) -0.125025V (MIN) ±0.000025V	0.50065V ±0.00065V
<b>BOP 2X36-6DE<sup>2</sup></b>	0.1 Ohm	0V ±0.000015V	0V ±0.00003V	0.6V	0.600045V (MAX) -0.600045V (MIN) ±0.0000225V	0.15V	0.15003V (MAX) -0.15003V (MIN) ±0.00003V	0.60075V ±0.00075V
<b>BOP 2X20-10DE<sup>2</sup></b>	0.1 Ohm	0V ±0.000025V	0V ±0.00005V	1.0V	1.000075V (MAX) -1.000075V (MIN) ±0.000075V	0.25V	0.25005V (MAX) -0.25005V (MIN) ±0.00005V	1.00013V ±0.00013V

**TABLE 4-2. CALIBRATION MEASUREMENTS AND TOLERANCES - CURRENT (CONTINUED)**

MODEL	SENSE RESISTOR VALUE (SEE NOTE AND TABLE 4-3)	LOW CURRENT ZERO	MAIN CURRENT ZERO	MAIN CURRENT NOMINAL	HIGH CURRENT ACCURACY	LOW CURRENT NOMINAL	LOW CURRENT ACCURACY	CURRENT PROTECT ADJUST
		PAR. 4.2.1 STEP 15	PAR. 4.2.1 STEP 16	PAR. 4.2.1 STEPS 17, 18	PAR. 4.2.1 STEPS 19, 21	PAR. 4.2.1 STEP 22, 23	PAR. 4.2.1 STEPS 24, 26	PAR. 4.2.1 STEP 28
		PAR. 4.2.2.4 STEP 13	PAR. 4.2.2.4 STEP 14	N/A	PAR. 4.2.2.4 STEPS 15, 16	N/A	PAR. 4.2.2.4 STEPS 17, 18	PAR. 4.2.2.4 STEP 19
<b>BOP 2X5-20DE<sup>2</sup></b>	0.001 Ohm	0V ±0.00000005V	0V ±0.0000001V	0.02V	0.02000015V (MAX) -0.02000015V (MIN) ±0.00000015V	0.005V	0.0050001V (MAX) -0.0050001V (MIN) ±0.0000001V	0.02000025V ±0.0000025V
<b>BOP 2X5-20DE<sup>2</sup></b>	0.001 Ohm	0V ±0.00000005V	0V ±0.0000001V	0.03V	0.03000015V (MAX) -0.03000015V (MIN) ±0.00000015V	0.0075V	0.0075001V (MAX) -0.0075001V (MIN) ±0.0000001V	0.03000025V ±0.0000025V
REFER TO NOTES IF EXACT SENSE RESISTOR VALUE IS KNOWN.	R <sub>SENSE</sub> SEE NOTE.	SEE NOTE A.	SEE NOTE B.	SEE NOTE C.	SEE NOTES C AND D	SEE NOTE E.	SEE NOTES E AND B.	SEE NOTE F.
USE SPACE PROVIDED AT RIGHT FOR CALCULATED VALUES.								

NOTES: 1. The following formulas are used to calculate proper calibration values if the exact Sense Resistor value is known.

- R<sub>SENSE</sub> = the measured value of the sense resistor to 6 places (minimum).
- I = Rated current output of BOP (e.g., for BOP 2X50-4DE, I = 4)
- A. (R<sub>SENSE</sub>) (I/4) (0.00005)
- B. (R<sub>SENSE</sub>) (I/4) (0.0001) [FOR MODELS WHERE I = 3 OR 4 USE (R<sub>SENSE</sub>) (I/4) (0.00015)]
- C. (R<sub>SENSE</sub>) (I)
- D. (R<sub>SENSE</sub>) (I) (0.00075) [FOR MODELS WHERE I = 3 OR 4 USE (R<sub>SENSE</sub>) (I) (0.00012)]
- E. (R<sub>SENSE</sub>) (I/4)
- F. [(R<sub>SENSE</sub>) (I<sub>omax</sub>)]/3800

2. D suffix = Digital meter, E suffix = LAN Interface.

**TABLE 4-3. SUGGESTED SENSE RESISTORS**

FOR BOP WITH RATED CURRENT	USE SENSE RESISTOR VALUE	KEPCO PART NO.	MANUFACTURER	MANUFACTURER PART NO.
20A	0.001 OHM, 30W	KT 3131	ISOTEK	RTO-B-R001-1
12A	0.01 OHM, 30W	KT 3130	ISOTEK	RTO-B-R01-1
5A, 6A, 8A, 10A	0.1 OHM, 30W	KT 3126	ISOTEK	RTO-B-R1-1
1A, 2A, 3A, 4A	1 OHM, 30W	KT 3146	ISOTEK	RTO-B-1R00-1.0

NOTE: ALL SENSE RESISTORS MUST BE MOUNTED ON A HEATSINK WITH A MINIMUM SURFACE AREA OF 36 SQUARE INCHES TO MAINTAIN THERMAL STABILITY DURING CALIBRATION (KEPCO P/N 136-0451 RECOMMENDED FOR KT SENSE RESISTORS LISTED).

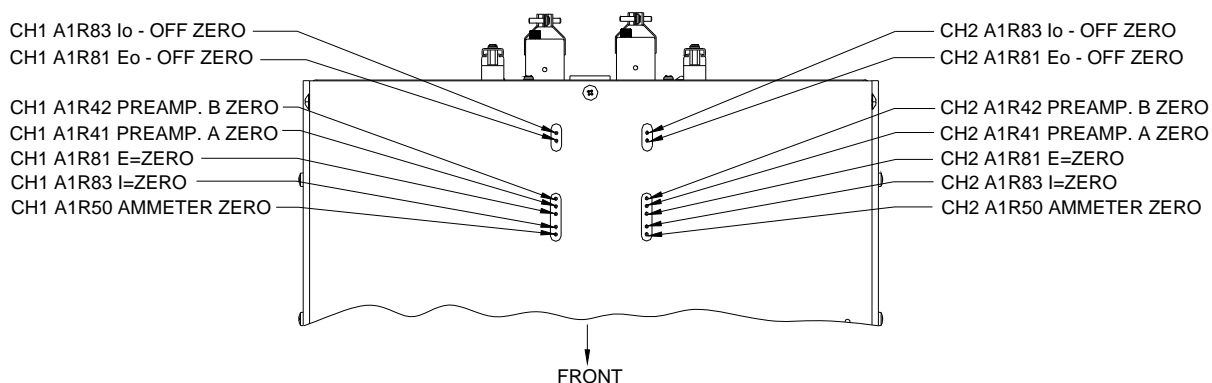
**4.2.1 MANUAL CALIBRATION**

NOTE: The TCPIP socket interface of the BIT 802E is used to manually calibrate the BOP 2X-DE Channel. Many programs such as Hyperterminal or Procomm can be used, and an open source version that operates on Linux, Windows and a Mac is available at [www.realtermsourceforge.net](http://www.realtermsourceforge.net)

1. Initiate calibration by sending the SCPI command **SYSTem:PASSword:CENable DEFAULT** and then send **CAL:STATe 1**. The password (DEFAULT) has been set at the factory. If the password has been changed from DEFAULT, substitute the correct password for the unit in the **SYST:PASS:CEN** command. If the password has been forgotten, consult factory.

If voltage calibration is not needed, proceed to step 14 for current calibration.

2. Set the BOP to zero volts output under the 1/4 range by sending **CAL:LVOLT ZERO**. Connect a Digital Voltmeter (DVM) to the BOP output to measure the power supply output. Send the Command **CAL:DPOT 32** to increase the output voltage until the DVM no longer changes in response to the command. Then send the Command **CAL:DPOT -32** to the unit. Adjust A1R81 (see Figure 4-2 on BOP until the DVM reads the voltage specified in Table 4-1 for LOW RANGE ZERO.



3044528

**FIGURE 4-2. MANUAL CALIBRATION CONTROLS (TOP VIEW)**

1. Set the BOP output voltage to zero by sending **CAL:VOLT ZERO**. Send the command **CAL:DPOT 1** to increase the voltage or **CAL:DPOT -1** to decrease the voltage until the DVM reads the voltage specified in Table 4-1 for VOLT ZERO.
2. Set the BOP to maximum positive output voltage by sending **CAL:VOLT MAX**. Measure the voltage output using a DVM of at least 7 digits in accuracy.
3. Decrease the voltage output by sending **CAL:DPOT -1** commands until the voltmeter reads less than the rated output voltage specified in Table 4-1 for MAX OUTPUT. Then send **CAL:DPOT 1** and verify the voltage is slightly above the rated output voltage specified in Table 4-1 for MAX OUTPUT
4. Referring to Table 4-1 (HIGH RANGE ACCURACY) for value and  $\pm$  tolerance, send the command **CAL:DATA -10** to decrease the voltage until the voltage is less than the rated output. Send the command **CAL:DATA 1** to increase the voltage or the command **CAL:DATA -1** to decrease the voltage until the DVM reads the value specified in Table 4-1 for HIGH RANGE ACCURACY MAX.
5. Set the BOP to maximum negative output by sending **CAL:VOLT MIN**. Continue to measure the output of the supply using the DVM.
6. If the output is less negative than the value specified in Table 4-1 for HIGH RANGE ACCURACY MIN, send **CAL:DATA -100** and verify the output is now more negative. If the value is still not more negative, send **CAL:DPOT -1** to change the course adjustment and provide a more negative output.

Send the command **CAL:DATA 10** to increase the voltage. Continue to send **CAL:DATA 10** until the voltage is less negative than the value specified in Table 4-1 for HIGH RANGE ACCURACY MIN. Send **CAL:DATA -1** until the reading is within the limits specified in Table 4-1 for HIGH RANGE ACCURACY MIN.

7. Set the BOP to 1/4 scale (low) range positive output voltage by sending **CAL:LVOLT MAX**. Output voltage should be as specified in Table 4-1 for LOW RANGE NOMINAL. Measure the voltage output using a Digital Voltmeter of at least 7 digits in accuracy.
8. Decrease the voltage output by sending **CAL:DPOT -1** commands until the voltmeter reads less than the rated output. Then send **CAL:DPOT 1** and verify the voltage is slightly above value specified in Table 4-1 for LOW RANGE NOMINAL.
9. Send the command **CAL:DATA -10** to decrease the voltage until the voltage is less than value specified in Table 4-1 for LOW RANGE ACCURACY MAX. Send the command **CAL:DATA 1** to increase the voltage or the command **CAL:DATA -1** to decrease the voltage to obtain the value specified in Table 4-1 for LOW RANGE ACCURACY MAX.
10. Set the BOP to maximum negative 1/4 scale range output by sending **CAL:LVOLT MIN**. Continue to measure the output of the supply.
11. If the output is less negative than the value specified in Table 4-1 for LOW RANGE ACCURACY MIN, send **CAL:DATA -100** and verify the output is now more negative. If the value is not more negative, Send **CAL:DPOT -1** to change the course adjustment and provide a more negative output.

Send the command **CAL:DATA 10** to increase the voltage. Continue to send **CAL:DATA 10** until the voltage is less negative than the value specified in Table 4-1 for LOW RANGE



ACCURACY MIN. Send **CAL:DATA -1** until the reading is within the limits specified in Table 4-1 for LOW RANGE ACCURACY MIN.

12. Set the BOP to voltage limit by sending **CAL:VPR MAX**. Continue to measure the output of the BOP.
13. Send the command **CAL:DATA -10** to decrease the voltage until the output voltage measured is within, or close to, the tolerance specified in Table 4-1 for VOLTAGE LIMIT ADJUST. Send the command **CAL:DATA 1** to increase the voltage or **CAL:DATA -1** to decrease the voltage as necessary until the measured value is within the tolerance specified in Table 4-1 for VOLTAGE LIMIT ADJUST.

NOTE: If Current calibration is not required, proceed to step 29.

14. Send **CAL:ZERO** to prepare for current calibration. After sending the command, the BOP output will be set to zero volts. Connect the Kelvin type sense resistor to the BOP output using a heat sink capable of dissipating 10 times rated power of sense resistor. Connect the DVM to the sensing terminals of the Kelvin type sense resistor as shown in Figure 4-1. Table 4-2 provides suggested sense resistor values for various BOP current outputs, as well as the formula for calculating expected measured values and tolerances for any sense resistor where the precise resistance is known. Table 4-3 lists possible sources for obtaining the suggested sense resistors
15. Set the BOP to zero volts across the sense resistor (corresponding to zero current) under the low (1/4 Scale) current range by sending **CAL:LCURR ZERO**. Monitor the DVM connected to the sense resistor. Adjust A1R83 on BOP (see Figure 4-2) until the DVM reads the voltage specified in Table 4-2 for LOW CURRENT ZERO.
16. Set the BOP current to 0 Amps in current mode by sending **CAL:CURR ZERO**. Use the command **CAL:DPOT 1** to increase the current or **CAL:DPOT -1** to decrease the current until the DVM reads the voltage specified in Table 4-2 for MAIN CURRENT ZERO.
17. Set the BOP to maximum positive output current by sending **CAL:CURR MAX**. Measure the voltage across the sense resistor using a Digital Voltmeter of at least 7 digits in accuracy. Verify the DVM reads the voltage specified in Table 4-2 for MAIN CURRENT NOMINAL. The voltage shown on the DVM should be positive; if not, reverse the leads to the DVM.
18. Decrease the voltage across the sense resistor by sending **CAL:DPOT -1** commands until the voltmeter reads less than the value specified in Table 4-2 for MAIN CURRENT NOMINAL. Then send **CAL:DPOT 1** and verify the voltage is slightly above the specified voltage.
19. Send the command **CAL:DATA -10** to decrease the voltage across the sense resistor until the voltage is less than the value specified in Table 4-2 for HIGH CURRENT ACCURACY MAX. Send the command **CAL:DATA 1** to increase the voltage or **CAL:DATA -1** to decrease the voltage until the DVM reads the voltage specified in Table 4-2 for HIGH CURRENT ACCURACY MAX.
20. Set the BOP to maximum negative output by sending **CAL:CURR MIN**. Continue to measure the voltage across the sense resistor.

21. If the voltage across the sense resistor is less negative than the value specified in Table 4-2 for HIGH CURRENT ACCURACY MIN, send **CAL:DATA -100** and verify the output is now more negative. If the value is not more negative than the value found in Table 4-2 for HIGH CURRENT ACCURACY MIN, send **CAL:DPOT -1** to change the course adjustment and provide a more negative output.

Send the command **CAL:DATA 10** to increase the voltage across the sense resistor. Continue to send **CAL:DATA 10** until the voltage is less than the value specified in Table 4-2 for HIGH CURRENT ACCURACY MIN. Send **CAL:DATA -1** until the DVM reads the voltage specified in Table 4-2 for HIGH CURRENT ACCURACY MIN.

22. Set BOP to the maximum current at low range (1/4 Scale) by sending **CAL:LCURR MAX**. Verify the DVM reads the voltage specified in Table 4-2 for LOW CURRENT NOMINAL.
23. Decrease the voltage across the sense resistor by sending **CAL:DPOT -1** commands until the voltmeter reads less than the value specified in Table 4-2 for LOW CURRENT NOMINAL. Then send **CAL:DPOT 1** and verify the voltage is slightly above this value.
24. Send the command **CAL:DATA -10** to decrease the voltage across the sense resistor until the voltage is less than the value specified in Table 4-2 for LOW RANGE ACCURACY MAX. If necessary, send the command **CAL:DATA 1** to increase the voltage across the sense resistor or **CAL:DATA -1** to decrease the voltage across the sense resistor until the DVM reads the voltage specified in Table 4-2 for LOW RANGE ACCURACY MAX.
25. Set the BOP to maximum negative 1/4 scale range output current by sending **CAL:LCURR MIN**. Continue to measure the voltage across the sense resistor.
26. If the voltage across the sense resistor is less negative than the value specified in Table 4-2 for LOW RANGE ACCURACY MIN, send **CAL:DATA -100** and verify the output is now more negative. If the value is not more negative, Send **CAL:DPOT -1** to change the course adjustment and provide a more negative output.

Send the command **CAL:DATA 10** to increase the voltage across the sense resistor. Continue to send **CAL:DATA 10** until the voltage is less than the value specified in Table 4-2 for LOW RANGE ACCURACY MIN. Send **CAL:DATA -1** until the reading is within the limits specified in Table 4-2 for LOW RANGE ACCURACY MIN.

27. Set the BOP to current limit by sending **CAL:CPR MAX**. Continue to measure the output of the BOP.
28. Send the command **CAL:DATA -10** to decrease the voltage across the sense resistor until the output voltage measured is within, or close to, the tolerance specified in Table 4-2 for CURRENT LIMIT ADJUST. Send the command **CAL:DATA 1** to increase the voltage or **CAL:DATA -1** to decrease the voltage as necessary until the measured value is within the tolerance specified in Table 4-1 for CURRENT LIMIT ADJUST.
29. Save the calibration levels by sending **CAL:SAVE 2/21/2015**. The 9 characters at the end are optional and are the calibration date of the power supply. The date entered in this manner is reported in the **\*idn?** query. This can be prove useful for checking calibration dates when periodic calibration is imposed by system or quality requirements.

## 4.2.2 CALIBRATION USING IVI DRIVER

Calibration of the BOP 2X-DE channel (BIT 802E installed and enabled) is performed using SCPI commands implemented through the Instrument driver. The driver provides a graphical interface with informational displays and prompts which lead you through the calibration of the Power Supply.

The Web Interface Home page for the BOP 2X-DE channel (see Figure 3-4) provides the VISA address string that can be copied and pasted into the IVI-COM driver when requested.

### 4.2.2.1 SETUP

1. The following calibration procedure uses a calibration panel which is part of the IVI driver for the BIT 802E which can be downloaded from the Kepco website at:  
[www.kepcopower.com/drivers.htm](http://www.kepcopower.com/drivers.htm)  
Unzip the files and double-click on setup.exe to install the driver.
2. After the program is installed, double-click on  
    \Program Files\KepcodcPower\KepcoControlPanel\KepcoControlPanel.exe  
to run the program. Two windows appear: the VISA Resource Descriptor Input panel (Figure 4-3) and the Main Control panel (with display blank) as shown in Figure 4-4.
3. Enter the VISA resource descriptor (VISA address string, see Figure 3-4) of the BOP-BIT into the VISA Resource Descriptor Input panel (Figure 4-3), then click OK.

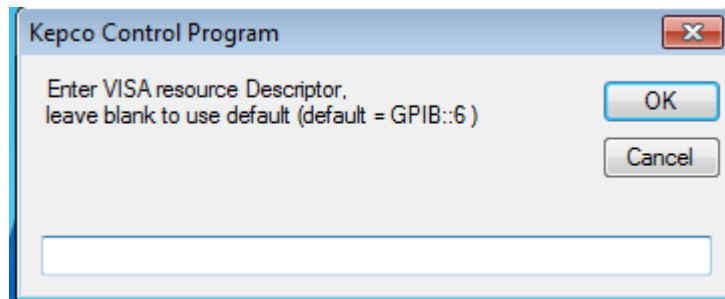
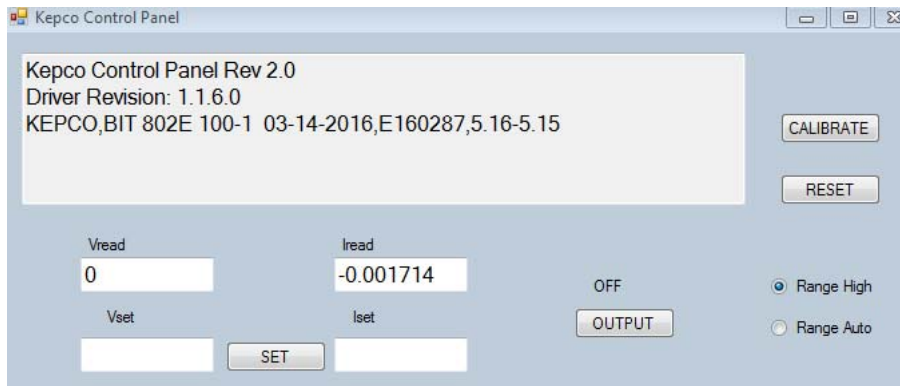


FIGURE 4-3. INPUT VISA RESOURCE DESCRIPTOR

1. The program will attempt to connect to the BOP-BIT. If connection is successful, the Main Control Panel display now shows the Instrument Model and Driver Revision as shown in Figure 4-4. If an **Initialization Error** message appears, either the IVI Shared components or VISA-COM was not installed correctly. Return to step 1 and reinstall the driver.



**FIGURE 4-4. MAIN CONTROL PANEL, TYPICAL FOR BOP 2X100-1DE**

#### 4.2.2.2 MAIN CONTROL PANEL

The main control panel allows setting the voltage and current, enabling and disabling the output, selecting the current range, resetting the unit, and calibrating the unit.

1. To set the unit's voltage and current, enter the values into the **Vset** and **Iset** boxes, respectively, and click the **SET** button.
2. To enable or disable the output, click the **OUTPUT** button.
3. To reset the unit to power-up state (output OFF, voltage and current set to 0), click the **RESET** button.
4. Range High and Range Auto radio buttons allow range selection.

#### 4.2.2.3 CALIBRATION CONTROLS

**CAUTION:** Before performing calibration, set BOP OUTPUT to OFF and connect short across BOP output, then set OUTPUT to ON and Voltage to 10V. **It is necessary to wait 10 minutes before calibrating the unit to allow for thermal stabilization.** After 10 minutes, set OUTPUT to OFF and remove short from BOP output, then proceed with calibration.

All adjustments are done using the four arrow buttons that appear during Calibration (see Figure 4-5 and Table 4-4). The double arrow buttons << and >> either increase (>>) or decrease (<<) the output by a maximum of 18 steps (each step is one LSB (Least Significant Bit), equivalent to 0.024% of nominal value) at a time; the > and < buttons either increase (>) or decrease (<) the output one step at a time.



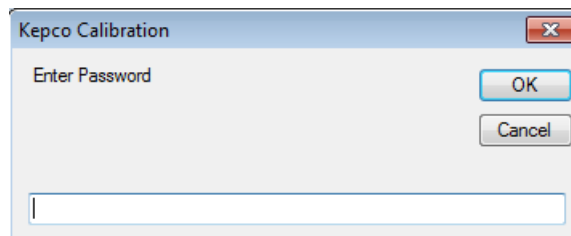
**FIGURE 4-5. DIGITAL CALIBRATION CONTROLS**

**TABLE 4-4. CALIBRATION PANEL FUNCTIONS**

BUTTON OR WINDOW	Function
<< button	Coarse Adjustment - Decreases the output value by a maximum of LSBs.
>> button	Coarse Adjustment - Increases the output value by a maximum of 18 LSBs.
< button	Fine Adjustment - Decreases the output value by one LSB.
> button	Fine Adjustment - Increases the output value by one LSB.
OK button	Enters the value displayed in the text field and advances calibration to next step.

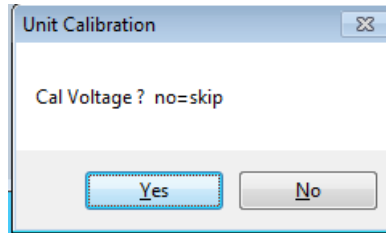
#### 4.2.2.4 CALIBRATION PROCEDURE

1. Click on the **Calibrate** button on the main control panel (see Figure 4-4). This opens a calibration panel (see Figure 4-5 and Table 4-4) that allows calibration in either voltage or current mode.
2. After initializing, the password window appears (see Figure 4-6). The password (DEFAULT) has been set at the factory. If the password has been changed from DEFAULT, type the proper password in the text box and click **OK**. If the password has been forgotten, consult factory. If the password is correct, the calibration panel (Figure 4-5) is active and calibration can be accomplished by following the screen prompts.



**FIGURE 4-6. PASSWORD ENTRY**

1. For Voltage Calibration, click **YES** button (see Figure 4-7).



**FIGURE 4-7. VOLTAGE CALIBRATION**

1. The text window reads **Connect DVM to Output Sense, Remove Shunt**. Remove any connections between +OUT and –OUT. Connect DVM (high) to +OUT and DVM (low) to –OUT, then click **OK** button.

NOTE: Use external DVM for all measurements.

2. The text window reads **LVOLT ZERO Adjust R81**. Adjust A1R81 on BOP until the DVM reads the voltage specified in Table 4-1 for LOW RANGE ZERO, then click **OK** button.
3. The text window reads **VOLT ZERO**. Using the < and > buttons (see PAR. 4.2.2.3), adjust the output voltage until the DVM reads the voltage specified in Table 4-1 for VOLT ZERO, then click **OK** button.
4. The text window reads **VOLT MAX**. Using the coarse << and >> and fine < and > buttons, adjust the output voltage until DVM reading is as specified in Table 4-1 for HIGH RANGE ACCURACY then click **OK** button.
5. The text window reads **VOLT MIN**. Using the coarse << and >> and fine < and > buttons, adjust the output voltage until DVM reading is as specified in Table 4-1 for HIGH RANGE ACCURACY, then click **OK** button.
6. The text window reads **LVOLT MAX**. Using the coarse << and >> and fine < and > buttons, adjust the output voltage until DVM reads voltage specified in Table 4-1 for LOW RANGE ACCURACY, then click **OK** button.
7. The text window reads **LVOLT MIN**. Using the coarse << and >> and fine < and > buttons, adjust the output voltage until DVM reads voltage specified in Table 4-1 for LOW RANGE ACCURACY, then click **OK** button.
8. The text window reads **VPR MAX**. Using the coarse << and >> and fine < and > buttons, adjust the output voltage until DVM reads voltage specified in Table 4-1 for VOLTAGE PROTECT ADJUST, then click **OK** button.
9. The text window reads **VPR MIN - No adjustment, check only**. Click **OK** button to proceed to next step.
10. The text window reads **VOLT CAL DONE**. A separate window opens and reads **Cal Current? no=skip**. Click **YES** button to perform current calibration.
11. The text window reads **Connect shunt across output**. Connect precision shunt resistor (see PAR. 4.1) across +OUT and –OUT terminals. After connecting the shunt click **OK** button.

12. The text window reads **With shunt connected across output, connect DVM across shunt**. Connect DVM (high) to the shunt sensing terminal that correlates to +OUT and DVM (low) to the shunt sensing terminal that correlates to –OUT. Click **OK** button to proceed to next step.
13. The text window reads **LCURR ZERO Adjust R83**. Adjust A1R83 on BOP until the DVM reads less than the voltage specified in Table 4-2 for LOW CURRENT ZERO, then click **OK** button.
14. The text window reads **CURR ZERO**. Using the fine adjust **<** and **>** buttons, adjust output until DVM reads voltage specified in Table 4-2 for MAIN CURRENT ZERO, then click **OK** button.
15. The text window reads **CURR MAX**. Using the coarse **<<** and **>>** and fine **<** and **>** buttons, adjust output current until DVM reads voltage specified in Table 4-2 for HIGH CURRENT ACCURACY, then click **OK** button.
16. The text window reads **CURR MIN**. Using the coarse **<<** and **>>** and fine **<** and **>** buttons, adjust output current until DVM reads voltage specified in Table 4-2 for HIGH CURRENT ACCURACY, then click **OK** button.
17. The text window reads **LCURR MAX**. Using the coarse **<<** and **>>** and fine **<** and **>** buttons, adjust output current until DVM reads voltage specified in Table 4-2 for LOW CURRENT ACCURACY, then click **OK** button.
18. The text window reads **LCURR MIN**. Using the coarse **<<** and **>>** and fine **<** and **>** buttons, adjust output current until DVM reads voltage specified in Table 4-2 for LOW CURRENT ACCURACY, then click **OK** button.
19. The text window reads **CPR MAX**. Using the coarse **<<** and **>>** and fine **<** and **>** buttons, adjust output current until DVM reads voltage specified in Table 4-2 for CURRENT PROTECT ADJUST, then click **OK** button.
20. The text window reads **CPR MIN - No Adjustment, check only**. Click **OK** button to proceed to next step.
21. The text window reads **CAL Done, Disconnect Shunt**. Click **OK**. Current calibration is complete and automatically saved. Disconnect the external shunt and DVM.





## APPENDIX A - SCPI COMMON COMMAND/QUERY DEFINITIONS

### A.1 INTRODUCTION

This appendix defines the SCPI common commands and queries used with the BIT 802E Interface Card installed in each BOP 2X-DE channel. Common commands and queries are preceded by an asterisk (\*) and are defined and explained in paragraphs A.2 through A.17, arranged in alphabetical order. Table A-1 provides a quick reference of all SCPI common commands and queries used in the Interface Card.

**TABLE A-1. SCPI COMMAND/QUERY INDEX**

COMMAND	PAR.	COMMAND	PAR.
*CLS	A.2	*RST	A.10
*ESE, ?	A.3, A.4	*SAV	A.11
*ESR?	A.5	*SRE, ?	A.12, A.13
*IDN?	A.6	*STB?	A.14
*OPC	A.7	*TRG	A.15
*OPT?	A.8	*TST?	A.16
*RCL	A.9	*WAI	A.17

### A.2 \*CLS — CLEAR STATUS COMMAND

**\*CLS**

Syntax: \*CLS

Description: **Clears status data.** Clears the error queue of the instrument. Forces power supply to “operation complete idle” and “operation complete query” state. Clears all Event Registers summarized in Status Byte Register without affecting the corresponding Enable Registers: Standard Event Status Register (ESR), Operation Status Event Register, Questionable Status Event Register, and Status Byte Register (STB). Related commands: \*OPC. (See example, Figure A-1.)

### A.3 \*ESE — STANDARD EVENT STATUS ENABLE COMMAND

**\*ESE**

Syntax: \*ESE <integer> where <integer> = positive whole number: 0 to 255 per Table A-2.  
Default Value: 0

Description: **This command programs the standard Event Status Enable register bits.** The contents function as a mask to determine which events of the Event Status Register (ESR) are allowed to set the ESB (Event Summary Bit) of the Status Byte Register. Enables the Standard events to be summarized in the Status Byte register (1 = set = enable function, 0 = reset = disable function). All of the enabled events of the standard Event Status Enable register are logically ORed to cause ESB (bit 5) of the Status Byte Register to be set (1 = set = enable, 0 = reset = disable). (See example, Figure A-1.)

**TABLE A-2. STANDARD EVENT STATUS ENABLE REGISTER AND STANDARD EVENT STATUS REGISTER BITS**

CONDITION	NU	NU	CME	EXE	DDE	QUE	NU	OPC
BIT	7	6	5	4	3	2	1	0
VALUE	128	64	32	16	8	4	2	1

NU (Not Used)  
 CME Command Error  
 EXE Execution Error  
 DDE Device Dependent Error  
 QUE Query Error  
 OPC Operation Complete

## \*ESE?

### A.4 \*ESE? — STANDARD EVENT STATUS ENABLE QUERY

Syntax: \*ESE?                      Return value: Integer> value per Table A-2.

Description: **Returns the mask stored in the Standard Event Status Enable Register.** Contents of Standard Event Status Enable register (\*ESE) determine which bits of Standard Event Status register (\*ESR) are enabled, allowing them to be summarized in the Status Byte register (\*STB). All of the enabled events of the Standard Event Status Enable Register are logically ORed to cause ESB (bit 5) of the Status Byte Register to be set (1 = set = enable function, 0 = reset = disable function). (See example, Figure A-1.)

## \*ESR?

### A.5 \*ESR? — EVENT STATUS REGISTER QUERY

Syntax: \*ESR?  
Return value: <integer> (Value = contents of Event Status register as defined in Table A-2.)

Description: **Causes the power supply to return the contents of the Standard Event Status register. After it has been read, the register is cleared.** The Standard Event Status register bit configuration is defined in Table A-2 (1 = set, 0 = reset). The error bits listed in Table A-2 are also related to error codes produced during parsing of messages and to errors in the power supply (see PAR. B.76)

- Any 1xx type error sets the Command error bit (5) see.
- Any 2xx type error sets the Execution error bit (4).
- Any 3xx type error sets the Device error bit (3). The Device error bit will be set when Current Error or Voltage Error is detected and the corresponding Status Questionable bit is set (see PAR. B.28).
- Any 4xx type error sets the Query error bit (2).

Related Commands: \*CLS, \*ESE, \*OPC. (See example, Figure A-1.)

## \*IDN?

### A.6 \*IDN? — IDENTIFICATION QUERY

Syntax: \*IDN?  
Return value: Character string

Description: **Identifies the instrument.** This query requests identification. The power supply returns a string which contains the manufacturer name, the model, the serial number and the firmware level. The character string contains the following fields: <Manufacturer>, <Model>, <Voltage>, <Current>, <Serial Number>, <Main revision>-<Flash revision> where: <Manufacturer> = KEPCO, <Model> = BIT 802E, <Serial Number> = SSSSSS <date> = (see CAL:SAVE DATE, PAR. B.11) <Main revision>=n.m, e.g, 1.0) ><Firmware revision>=n.m (n.m revision, e.g, 1.0) (See example, Figure A-1.)

## A.7 \*OPC — OPERATION COMPLETE COMMAND

Syntax: \*OPC

Description: **Causes power supply to set status bit 0 (Operation Complete) when pending operations are complete** This command sets Standard Event Status Register bit 0 (see Table A-2) to “1” when all previous commands have been executed and changes in output level have been completed. This command does not prevent processing of subsequent commands, but bit 0 will not be set until all pending operations are completed. (1 = set = enable function, 0 = reset = disable function). (See example, Figure A-1.) As an example, the controller sends command(s), then sends \*OPC. If controller then sends \*ESR?, the power supply responds with either a “0” (if the power supply is busy executing the programmed commands), or a “1” (if the previously programmed commands are complete). (See example, Figure A-1.)

*CLS	Power supply clears status data.
*ESE 60	Power supply enables bits 5, 4, 3 and 2, allowing command error, execution error, device dependent error and query error to set the Event Status Summary bit when an STB command is executed.
*ESE?	Returns 60, (value of the mask) verifying that bits 5, 4, 3 and 2 are enabled.
*ES	Unknown command will set command error (Bit 5).
*ESR?	Returns 32 (bit 5 set), indicating Command Error has occurred since the last time the register was read.
*IDN?	Power supply returns: KEPCO, BIT 802E 100-2 123456 1.8-1.8
*OPC	Allows status bit 0 to be set when pending operations complete
VOLT 21;CURR 3	Sets output voltage to 21V, output current to 3A
*ESR?	Returns 129 (128 + 1, power on, bit 7 = 1, operation complete, bit 1 = 1)
*ESR?	Returns 0 (event status register cleared by prior *ESR?)
VOLT 15;CURR 5;*ESR?	Sets output voltage to 15V, output current to 5A, puts “1” on output bus when command operations are complete.
*RST	Power supply reset to power on default state.
*SRE 40	When ESB or QUES bits are set (Table A-3), the Request for Service bit will be set.
*SRE?	Returns the value of the mask (40).
*STB?	For example, the Power supply responds with 96 (64 + 32) if MSS and the Event Status Byte (Table A-3) summary bit have been set. The power supply returns 00 if no bits have been set.
VOLT 25	Power supply voltage commanded to 25V.
VOLT:TRIG 12	Programs power supply voltage to 12V when *TRG received.
INIT	Trigger event is initialized.
*TRG	Power supply reverts to commanded output voltage of 12V. ** LOAD DISCONNECTED
*TST?	Power supply executes self test and responds with 0 if test completed successfully, with 1 if test failed.

FIGURE A-1. IEEE 488 COMMANDS

# \*OPT?

## A.8 \*OPT? — OPTIONS QUERY

Syntax: \*OPT?  
Returns string determined by power supply model.

Description: **Causes the power supply to return an ASCII string which defines the functionality of the power supply.** The functionality is defined as follows:

STRING DATA	MEANING
CAL	Support for CALibrate is present.
RL1	Commands sent over GPIB cause unit to enter remote mode (except for MEASure).
MEM	Indicates the number of memory steps supported.
LST	Indicates the number of LIST steps supported.

# \*RCL

## A.9 \*RCL — RECALL COMMAND

Syntax: \*RCL <integer> (1 to 99)

Description: **Restores power supply to previously defined levels of output voltage, output current and triggers.** This command selects one of the 99 power supply memory locations, each of which stores values for output current, and output voltage and trigger levels. Executing a \*RCL recalls the previously defined trigger settings from memory and places them in the trigger control section of the BIT 802E. Executing a second \*RCL will cause the values in the trigger control section to be moved to the bit 802E output channel, allowing the power supply to operate with the recalled trigger information. The following parameters are affected by \*RCL: VOLT:TRIG, CURR:TRIG, and FUNC:MODE:TRIG.

# \*RST

## A.10 \*RST — RESET COMMAND

Syntax: \*RST

Description: **Resets power supply to the power on default state.** The power supply output set to off (see DIAG:OUTP, Table 3-2, to establish the “off” state parameters) and the power supply is programmed to the power on values of the following parameters: CURR[:LEV][:IMM] = 0, VOLT[:LEV][:IMM] = 0, MODE = VOLT. If the power supply is in either an overvoltage or overcurrent state, this condition is reset by \*RST. After sending \*RST it is necessary to send OUTPUT ON for programmed values to appear at the output. The \*RST command always returns the mode to Voltage and the range to automatic. (See example, Figure A-1.)

# \*SAV

## A.11 \*SAV — SAVE COMMAND

Syntax: \*SAV <integer> (1 to 99)

Description: **Saves the present state of output voltage, output current and trigger values, to the specified memory location.** This command stores the present state of the power supply to one of 99 memory locations in Flash Memory (see PAR. 3.8.4). The following parameters are stored by \*SAV: VOLT:TRIG, CURR:TRIG, and FUNC:MODE:TRIG. The stored values can be restored by the \*RCL command.

# \*SRE

## A.12 \*SRE — SERVICE REQUEST ENABLE COMMAND

Syntax: \*SRE<integer> where <integer> = value from 0 - 255 per Table A-3, except bit 6 cannot be programmed.

Description: **Sets the condition of the Service Request Enable register.** The Service Request Enable register determines which events of the Status Byte Register are summed into the MSS (Master Status Summary) and RQS (Request for Service) bits. RQS is the service request bit that is cleared by a serial poll, while MSS is not cleared when read. A “1” (1 = set = enable, 0 = reset = disable) in any Service Request Enable register bit position enables the corresponding Status Byte bit to set the RQS and MSS bits. All the enabled Service Request Enable register bits then are logically ORed to cause Bit 6 of the Status Byte Register (MSS/RQS) to be set. Related Commands: \*SRE?, \*STB?. (See example, Figure A-1.)

**TABLE A-3. SERVICE REQUEST ENABLE AND STATUS BYTE REGISTER BITS**

CONDITION	OPER	MSS RQS	ESB	MAV	QUES	ERR QUE	NU	NU
BIT	7	6	5	4	3	2	1	0
VALUE	128	64	32	16	8	4	2	1

OPER      Operation Status Summary  
MSS        Master Status Summary  
RQS        Request for Service  
ESB        Event Status Byte summary  
MAV        Message available  
QUES      QUEStionable Status Summary  
ERR QUE   1 or more errors occurred (see  
                 PAR. B.76)  
NU         (Not Used)

**A.13 \*SRE? — SERVICE REQUEST ENABLE QUERY**

**\*SRE?**

Syntax:      \*SRE?                      Response: <integer> = value from 0 - 255 per Table A-3.

Description: **Reads the Service Enable Register.** Used to determine which events of the Status Byte Register are programmed to cause the power supply to generate a service request (1 = set = function enabled, 0 = reset = function disabled). Related Commands: \*SRE, \*STB? (See example, Figure A-1.)

**A.14 \*STB? — STATUS BYTE REGISTER QUERY**

**\*STB?**

Syntax:      \*STB?                      Response: <integer> value from 0 to 255 per Table A-3.

Description: **Reads Status Byte Register without clearing it.** This Query reads the Status Byte Register (bit 6 = MSS) without clearing it (1 = set = function enabled, 0 = reset = function disabled). The register is cleared only when subsequent action clears all set bits. MSS is set when the power supply has one ore more reasons for requesting service. (A serial poll also reads the Status Byte Register, except that bit 6 = RQS, not MSS; and RQS will be reset.) Related Commands: \*SRE, \*SRE?. (See example, Figure A-1.)

**A.15 \*TRG — TRIGGER COMMAND**

**\*TRG**

Syntax:      \*TRG

Description: **Triggers the power supply to be commanded to preprogrammed values of output current and voltage.** When the trigger is armed (checked by examining WTG bit in Status Operational Condition register), \*TRG generates a trigger signal. The trigger will change the output of the power supply to the output voltage and current levels specified by VOLT:TRIG and CURR:TRIG commands and clear the WTG bit in the Status Operation Condition register. If INIT:CONT has been issued, the trigger subsystem is immediately rearmed for subsequent triggers, and the WTG bit is again set to 1. \*TRG or GET are both addressed commands (only devices selected as listeners will execute the command). Related Commands: ABOR, INIT, TRIG, CURR:TRIG, VOLT:TRIG. (See example, Figure A-1.)

**A.16 \*TST? — SELF TEST QUERY**

**\*TST?**

Syntax:      \*TST?                      Returned value: 0 or non-zero (0 = pass test, non-zero = fail test)

Description: **Power Supply test.** This query causes the power supply to do a self test and provide the controller with pass/fail results. A 0 is returned if the unit passes the test. If the unit fails, a number is returned to indicate the cause of the error. The test executes each of the subtests even when any one fails. If any test fails an error code bit is set which is returned to the user. The error codes returned are listed in Table 3-1.

**A.17 \*WAI — WAIT-TO-CONTINUE COMMAND**

**\*WAI**

Syntax:      \*WAI                      Response:

Description: **Causes the power supply to wait until all previously issued commands and queries are complete before executing subsequent commands or queries.** This command can be used to guarantee sequential execution of commands and queries. When all pending operations are complete (all previous commands have been executed, changes in output level have been completed), the WAI command is completed and execution of subsequent commands can continue.



## APPENDIX B - SCPI COMMAND/QUERY DEFINITIONS

### B.1 INTRODUCTION

This appendix defines the SCPI subsystem commands and queries used with the BIT 802E Interface Card found in each channel of the BOP 2X-DE. Commands and queries are defined in PAR. B.4 through B.88, arranged in groups as they appear in the tree diagram, Figure 3-11. Table B-1 provides a quick reference of all SCPI subsystem commands and queries used.

**TABLE B-1. SCPI SUBSYSTEM COMMAND/QUERY INDEX**

COMMAND	PAR.	COMMAND	PAR.
CAL:CPR	B.3	[SOUR:]LIST:VOLT, ?	B.45, B.46
CAL:STAT, ?	B.4, B.5	[SOUR:]LIST:VOLT:POIN?	B.47
CAL:CURR	B.6	[SOUR:]CURR, ?	B.48, B.49
CAL:DATA	B.7	[SOUR:]CURR:MODE, ?	B.50, B.51
CAL:DPOT	B.8	[SOUR:]CURR:RANG, ?	B.52, B.53
CAL:LCURR	B.9	[SOUR:]CURR:RANG:AUTO	B.54
CAL:LVOLT	B.10	[SOUR:]CURR:TRIG?	B.55, B.56
CAL:SAVE	B.11	[SOUR:]VOLT	B.57, B.58
CAL:VOLT	B.12	[SOUR:]VOLT:MODE, ?	B.59, B.60
CAL:VPR	B.13	[SOUR:]VOLT:RANG, ?	B.61, B.62
CAL:ZERO	B.14	[SOUR:]VOLT:RANG:AUTO	B.63
INIT[:IMM]	B.15	[SOUR:]VOLT:TRIG	B.64, B.65
INIT:CONT, ?	B.16, B.17	STAT:OPER:COND?	B.66
MEAS:CURR?	B.18	STAT:OPER:ENAB, ?	B.67, B.68
MEAS:VOLT?	B.19	STAT:OPER[:EVEN]?	B.69
OUTP[:STAT], ?	B.20, B.21	STAT:PRES	B.70
[SOUR:]FUNC:MODE, ?	B.22, B.23	STAT:QUES[:EVEN]?	B.71
[SOUR:]FUNC:MODE:TRIG, ?	B.24, B.25	STAT:QUES:COND?	B.72
[SOUR:]LIST:CLE	B.26	STAT:QUES:ENAB, ?	B.73, B.74
[SOUR:]LIST:COUN, ?	B.27, B.28	SYST:BEEP	B.75
[SOUR:]LIST:COUN:SKIP, ?	B.29, B.30	SYST:ERR?	B.76
[SOUR:]LIST:CURR, ?	B.31, B.32	SYST:ERR:CODE?	B.77, B.78
[SOUR:]LIST:POIN?	B.33	SYST:PASS CEN, CDIS	B.79, B.80
[SOUR:]LIST:DIR, ?	B.34, B.35	SYST:PASS:STAT	B.82
[SOUR:]LIST:DWEL, ?	B.36, B.37	SYST:REM, ?	B.83, B.84
[SOUR:]LIST:DWEL:POIN?	B.38	SYST:SEC	B.85
[SOUR:]LIST:GEN, ?	B.39, B.40	SYST:SET, ?	B.86, B.87
[SOUR:]LIST:QUER, ?	B.41, B.42	SYST:VERS?	B.88
[SOUR:]LIST:SEQ, ?	B.43, B.44		

NOTE: Commands listed above that are followed by ", ?" have a related query.

## B.2 NUMERICAL VALUES

The SCPI data parser on the BIT 802E supports a maximum of 8 digits after the decimal point and a maximum integer of  $4 \times 10^8$ . Any values greater than these are not processed by the device and no error is generated. The largest string that can be received or transmitted by the BIT 802E is 253 characters.

All numerical data is returned in scientific notation, digits with decimal point and Exponent, e.g., 2.71E1 for 27.1 after calibration constants have been applied. Thus, for example, VOLT 14;VOLT? may return 1.39997E1 which indicates that the unit has been calibrated to provide 13.9997V for a programmed value of 14V, within the calculation accuracy of the BIT 802E. Error “-120” results from syntactical errors, e.g., the exponent exceeds 8, a letter is identified, etc. Error “-222” is produced if the value exceeds the range of acceptable values for the parameter.

## B.3 CALibrate:CPRotect COMMAND

## CAL:CPR

Syntax: Short Form: CAL:CPR {MIN | MAX}  
Long Form: CALibrate:CPRotect {MIN | MAX}

Description: **Selects Current Protection limit calibration, only effective with power supply in Calibrate status.** CAL:CPR MAX selects maximum positive current protection limit calibration. CAL:CPR MIN selects maximum negative current protection limit calibration. **Related Commands:** CAL:STAT, CAL:ZERO, CAL:DATA, CAL:SAVE.

## B.4 CALibrate:STATus COMMAND

## CAL:STAT

Syntax: Short Form: CAL:STAT <boolean>  
Long Form: CALibrate:STATus <boolean>  
where boolean = 0 or OFF, 1 or ON

Description: **Sets the power supply to Calibrate status.** <boolean> 1 or ON causes power supply to enter Calibrate status. <boolean> 0 or OFF causes power supply to exit Calibrate status. If the wrong password was not enabled, error message -224 is posted to the queue. **Related Commands:** CAL:STAT, CAL:VOLT, CAL:CURR, CAL:ZERO, CAL:DATA, CAL:DPOT, CAL:SAVE. (See example, Figure B-1.)

## B.5 CALibrate[:STATus]? QUERY

## CAL[:STAT]?

Syntax: Short Form: CAL:STAT? Long Form: CALibrate:STATus?

**Return Value:** <DATA>

where DATA = ZERO-ZERO, VOLT-ZERO, VOLT-MAX, VOLT-MIN, CURR-ZERO, CURR-MAX, CURR-MIN, or OFF.

Description: **Identifies whether the power supply is in Calibrate status and indicates which calibration step is active.** OFF indicates power supply is not in Calibrate status. ZERO-ZERO indicates power supply is at 0V, 0A, waiting for connection of load resistor. VOLT-ZERO indicates zero offset voltage adjustment is active. VOLT-MAX indicates maximum voltage adjustment is active. VOLT-MIN indicates minimum (negative) voltage adjustment is active. CURR-ZERO indicates zero offset current adjustment is active. CURR-MAX indicates maximum current adjustment is active. CURR-MIN indicates minimum (negative) current adjustment is active. **Related Commands:** CAL:STAT, CAL:VOLT, CAL:CURR, CAL:ZERO, CAL:DATA, CAL:DPOT, CAL:SAVE. (See example, Figure B-1.)



SYST:PASS:CEN 1234	If password set to 1234, enables commands requiring password.
CAL:STAT 1	Power supply enters Calibrate status.
CAL:STAT?	Returns ZERO-ZERO indicating power supply in Calibrate status.
CAL:VOLT ZERO	Voltage Zero Calibration selected.
CAL:VOLT MAX	Voltage positive Calibration selected.
CAL:DPOT 1	Output voltage increased by 10 LSB.
CAL:VOLT MIN	Voltage negative Calibration selected.
CAL:DATA -2	Output voltage decreased by 2 LSBs.
CAL:ZERO	Output voltage and current set to zero.
---	* User connects shunt and connects DVM to output.
CAL:CURR ZERO	Current Zero Calibration selected.
CAL:DPOT -1	Output current decreased by 10 LSB.
CAL:CURR MIN	Current negative Calibration selected.
CAL:DPOT 1	Output current increased by 10 LSB.
CAL:CURR MAX	Current positive Calibration selected.
CAL:DATA -1	Output current decreased by 1 LSB.
CAL:SAVE	Calibration values saved.
CAL:STAT 0	Power supply exits Calibrate mode.
CAL:STAT?	Returns 0 indicating power supply not in Calibrate status
---	* User disconnects shunt and DVM.

FIGURE B-1. USING CALIBRATION COMMANDS AND QUERIES

**B.6 CALibrate:CURRENT COMMAND**

**CAL:CURR**

Syntax: Short Form: CAL:CURR {MIN | MAX | ZERO}  
 Long Form: CALibrate:CURR {MIN | MAX | ZERO}

Description: **Selects Current calibration, only effective with power supply in Calibrate status.** CAL:CURR ZERO selects Current Zero Calibration. CAL:CURR MIN selects Current Full Scale Negative Calibration. CAL:CURR MAX selects Current Full Scale Positive Calibration. Normally Current Zero is done first, then Current Full Scale Positive Calibration. **Related Commands:** CAL:STAT, CAL:VOLT, CAL:CURR, CAL:ZERO, CAL:DATA, CAL:DPOT, CAL:SAVE. (See example, Figure B-1.)

**B.7 CALibrate:DATA COMMAND**

**CAL:DATA**

Syntax: Short Form: CAL:DATA {N} Long Form: CALibrate:DATA {N}

Description: **Provides fine adjustment of output during calibration only; Increases or decreases output by N LSB's.** CAL:CURR -N decreases output by N LSBs. CAL:CURR N increases output by N LSBs. This command is used during calibration to adjust the output for zero calibration as well as full scale calibration. This command is only effective if Calibration status is active. **Related Commands:** CAL:STAT, CAL:VOLT, CAL:LVOLT, CAL:LCURR, CAL:CURR, CAL:DPOT, CAL:ZERO, CAL:SAVE. (See example, Figure B-1.)

**B.8 CALibrate:DPOT COMMAND**

**CAL:DPOT**

Syntax: Short Form: CAL:DPOT {N} Long Form: CALibrate:DPOT {N}

Description: **Provides coarse adjustment of the output during calibration to within 5% of maximum and 2% of nominal; increases or decreases output by 50 LSB increments.** Acceptable values of N are within  $\pm 32$ , corresponding to  $\pm 1600$  (50 x 32) LSB's. CAL:DPOT -N decreases output voltage by N LSBs. CAL:VOLT N increases output voltage by N LSBs. This command is used during calibration to adjust the output for Zero calibration as well as Full Scale Positive calibration. Output voltage is monitored on a calibrated digital multimeter and increased or decreased as required using this command. Output current is monitored on a calibrated digital multimeter (reading voltage at the sense terminals of the shunt resistor) and increased or decreased as required using this command. This command is only effective if Calibration status and either Voltage Zero, Voltage Maximum. Current Zero or Current Maximum calibration are active. CAL:STAT, CAL:VOLT, CAL:LVOL, CAL:VOLT, CAL:CURR, CAL:DATA, CAL:ZERO, CAL:SAVE. (See example, Figure B-1.)

## B.9 CALibrate:LCURR COMMAND

## CAL:LCURR

Syntax: Short Form: CAL:LCURR {MIN | MAX | ZERO}  
Long Form: CALibrate:LCURR {MIN | MAX | ZERO}

Description: **Selects low current range (1/4 scale) Current calibration, only effective with power supply in Calibrate status.** CAL:LCURR ZERO selects Low Current Range Zero Calibration. CAL:LCURR MIN selects Low Current Range Full Scale Negative Calibration. CAL:LCURR MAX selects Low Current Range Full Scale Positive Calibration. Normally Low Current Range Zero is done first, then Low Current Range Full Scale Positive Calibration. **Related Commands:** CAL:STAT, CAL:VOLT, CAL:CURR, CAL:ZERO, CAL:DATA, CAL:DPOT, CAL:SAVE. (See example, Figure B-1.)

## B.10 CALibrate:LVOLT COMMAND

## CAL:LVOLT

Syntax: Short Form: CAL:LVOLT {MIN | MAX | ZERO}  
Long Form: CALibrate:LVOLT {MIN | MAX | ZERO}

Description: **Selects low voltage range (1/4 scale) Voltage calibration, only effective with power supply in Calibrate status.** CAL:LVOLT ZERO selects Low Voltage Range Zero Calibration. CAL:LVOLT MIN selects Low Voltage Range Full Scale Negative Calibration. CAL:LVOLT MAX selects Low Voltage Range Full Scale Positive Calibration. Normally Low Voltage Range Zero is done first, then Low Voltage Range Full Scale Positive Calibration. **Related Commands:** CAL:STAT, CAL:VOLT, CAL:CURR, CAL:ZERO, CAL:DATA, CAL:DPOT, CAL:SAVE. (See example, Figure B-1.)

## B.11 CALibrate:SAVE COMMAND

## CAL:SAVE

Syntax: Short Form: CAL:SAVE Long Form: CALibrate:SAVE  
Short Form: CAL:SAVE DATE <string> Long Form: CALibrate:SAVE DATE <string>  
where DATE is optional allowing <string> of up to 12 contiguous characters identifying calibration date to be saved. Active DATE <string > is returned by \*IDN? query.

Description: **Saves computed calibration values in non-volatile memory.** This command saves only the calibration values computed after entering Calibration status. If, for example, only Voltage calibration was performed, these are the only values saved. These values are stored in Flash Memory (see PAR. 3.8.4). Previous values are not lost, and can be restored (see PAR. 3.8.4.1). This command should be the last command before exiting Calibrate status. CAL:STAT, CAL:DATA, CAL:DPOT, CAL:VOLT, CAL:CURR, CAL:ZERO. (See example, Figure B-1.)

## B.12 CALibrate:VOLTAGE COMMAND

## CAL:VOLT

Syntax: Short Form: CAL:VOLT {MIN | MAX | ZERO}  
Long Form: CALibrate:VOLT {MIN | MAX | ZERO}

Description: **Selects Voltage calibration, only effective with power supply in Calibrate status.** CAL:VOLT ZERO selects Voltage Zero Calibration. CAL:VOLT MIN selects Voltage Full Scale Negative Calibration. CAL:VOLT MAX selects Voltage Full Scale Positive Calibration. Normally Voltage Zero is done first, then Voltage Full Scale Positive Calibration. **Related Commands:** CAL:STAT, CAL:VOLT, CAL:CURR, CAL:ZERO, CAL:DATA, CAL:DPOT, CAL:SAVE. (See example, Figure B-1.)

## B.13 CALibrate:VPRotect COMMAND

## CAL:VPR

Syntax: Short Form: CAL:VPR {MIN | MAX}  
Long Form: CALibrate:VPRotect {MIN | MAX}

Description: **Selects Voltage Protection limit calibration, only effective with power supply in Calibrate status.** CAL:VPR MAX selects maximum positive voltage protection limit calibration. CAL:VPR MIN selects maximum negative voltage protection limit calibration. **Related Commands:** CAL:STAT, CAL:ZERO, CAL:DATA, CAL:SAVE.

## B.14 CALibrate:ZERO COMMAND

## CAL:ZERO

Syntax: Short Form: CAL:ZERO Long Form: CALibrate:ZERO

Description: **Sets output to zero while calibration equipment connections are changed.** This command is used when changing from Voltage to Current calibration or vice-versa. CAL:ZERO sets output voltage and current to zero. The user then connects or disconnects the shunt resistor or the digital voltmeter from the output terminals of the power supply as required for the subsequent Voltage or Current calibration. The next command should select the new parameter to be calibrated. **Related Commands:** CAL:STAT, CAL:VOLT, CAL:CURR, CAL:SAVE. (See example, Figure B-1.)

### B.15 INITiate[:IMMEDIATE] COMMAND

## INIT[:IMM]

Syntax: Short Form: INIT[:IMM] Long Form: INITiate[:IMMEDIATE]

Description: **Enables a single trigger.** This command enables a single trigger. A \*TRG command completes the sequence. Upon receipt of the \*TRG command, the power supply will return to the commanded values of voltage and current established by the VOLT:TRIG and CURR:TRIG commands. After a \*TRG command has been received, subsequent \*TRG commands have no effect unless preceded by INIT or INIT:CONT ON. Related Commands: \*TRG, TRIG. (See example, Figure B-4.)

### B.16 INITiate:CONTinuous COMMAND

## INIT:CONT

Syntax: Short Form: INIT:CONT {ON | OFF} or {1 | 0} (1 = on, 0 = off)  
Long Form: INITiate:CONTinuous {ON | OFF} or {1 | 0} (1 = on, 0 = off)

Description: **INIT:CONT ON enables continuous triggers.; INIT:CONT OFF disables continuous triggers.** If INIT:CONT is OFF, then INIT[:IMM] arms the trigger system for a single trigger. If INIT:CONT is ON, then the trigger system is continuously armed and INIT[:IMM] is redundant. Executing \*RST command sets INIT:CONT to ON. (See example, Figure B-4.)

### B.17 INITiate:CONTinuous QUERY

## INIT:CONT?

Syntax: Short Form: INIT:CONT? Long Form: INITiate:CONTinuous?  
Return Value: 1 or 0

Description: **Determines whether continuous triggers are enabled or disabled.** Power supply returns value of INIT:CONT flag: "1" = continuous triggers are enabled (INIT:CONT ON); "0" = continuous triggers disabled (INIT:CONT OFF). (See example, Figure B-4.)

### B.18 MEASure[:SCALar]:CURRent[:DC]? QUERY

## MEAS:CURR?

Syntax: Short Form: MEAS[:SCAL]:CURR[:DC]?  
Long Form: MEASure[:SCALar]:CURRent[:DC]?  
Return Value: <num\_value> (digits with decimal point and Exponent)

Description: **Measures actual current.** This query returns the actual value of output current (measured at the output terminals) as determined by the programmed value of voltage and current and load conditions. (See example, Figure B-4.)

### B.19 MEASure[:VOLTage][:SCALar][:DC]? QUERY

## MEAS:VOLT?

Syntax: Short Form: MEAS[:SCAL]:VOLT[:DC]?  
Long Form: MEASure[:SCALar]:VOLTage[:DC]?  
Return Value: <num\_value> (digits with decimal point and Exponent)

Description: **Measures actual voltage.** This query returns the actual value of output voltage (measured at the output terminals) as determined by the programmed value of voltage and current and load conditions. (See example, Figure B-4.)

### B.20 OUTPut[:STATe] COMMAND

## OUTP

Syntax: Short Form: OUTP[:STAT] <boolean> Long Form: OUTPut[:STATe] <boolean>  
<boolean>=(0 or OFF, 1 or ON)

Description: **Enables or disables the power supply output.** Upon power up the power supply is in Local mode: the output is always on and the front panel controls affect the unit's operation. Upon entering Remote mode, the default state is OUTP OFF; OUTP ON must be executed to enable the output. When OUTP OFF is executed, the programmed values of voltage and current are saved, then voltage and current are programmed to 0. When OUTP ON is executed, the power supply output is restored to the previously saved programmed values. The saved values of voltage and current can be viewed by VOLT? and CURR? queries. Related Commands: OUTP?.

### B.21 OUTPut[:STATe] QUERY

## OUTP?

Syntax: Short Form: OUTP[:STAT]? Long Form: OUTPut[:STATe]?  
Return Value: <int\_value> (0 or 1)

Description: **Indicates whether power supply output is enabled or disabled.** Returns 0 if output disabled, returns 1 if output enabled. Related Commands: OUTP.

## B.22 [SOURCE:]FUNCTION:MODE COMMAND

## FUNC:MODE

Syntax: Short Form: FUNC:MODE {VOLT | CURR} Long Form: [SOURCE:]FUNCTION:MODE {VOLT | CURR}

Description: **Establishes the operating mode of the power supply.** VOLT = Voltage mode. CURR = Current mode. FUNC:MODE VOLT commands power supply to Voltage mode, FUNC:MODE CURR commands power supply to Current mode. Commanded mode establishes parameters (voltage or current) monitored for error conditions. Actual mode depends upon load conditions. When commanded to Voltage mode, if load conditions cause the power supply to try to exceed the current limit, the unit will flag an error condition. When commanded to Current mode, if load conditions cause the power supply to try to exceed the voltage limit, the unit will flag an error condition. If VOLT:MODE or CURR:MODE is set to TRANS, FUNC:MODE command automatically changes the mode to FIXEd. (See example, Figure B-4.)

## B.23 [SOURCE:]FUNCTION:MODE? QUERY

## FUNC:MODE?

Syntax: Short Form: FUNC:MODE? Long Form: [SOURCE:]FUNCTION:MODE?

Return value: 0 (voltage mode) or 1 (current mode)

Description: **Returns the operating mode of the power supply.** 0 = Voltage mode. 1 = Current mode.

## B.24 [SOURCE:]FUNCTION:MODE:TRIGger

## FUNC:MODE:TRIG

Syntax: Short Form: FUNC:MODE:TRIG {VOLT | CURR}  
Long Form: [SOURCE:]FUNCTION:MODE:TRIGger {VOLT | CURR}

Description: **Establishes the operating mode of the power supply when a TRIGger command is sent.** VOLT = Voltage mode. CURR = Current mode. This command establishes the operating mode for triggers which is to be saved or recalled using \*SAV or \*RCL command. FUNC:MODE:TRIG VOLT commands power supply to Voltage mode when a TRIGger command is sent, FUNC:MODE:TRIG CURR commands power supply to Current mode when a TRIGger command is sent. If VOLT:MODE or CURR:MODE is set to TRANS, FUNC:MODE:TRIG command automatically changes the mode to FIXEd. (See example, Figure B-5.)

## B.25 [SOURCE:]FUNCTION:MODE:TRIGger? QUERY

## FUNC:MODE:TRIG?

Syntax: Short Form: FUNC:MODE:TRIG? Long Form: [SOURCE:]FUNCTION:MODE:TRIGger?

Return value: 0 = voltage mode or 1 = current mode

Description: **Returns the operating mode which the power supply will enter when a trigger command is sent.** VOLT = Voltage mode. CURR = Current mode. (See example, Figure B-5.)

## B.26 [SOURCE:]LIST:CLEAr COMMAND

## LIST:CLE

Syntax: Short Form: LIST:CLE Long Form: LIST:CLEAr>

Description: **Clears all list entries by setting all pointers to 0.** Also sets LIST:DIR to UP, LIST:GEN to DSEQ and LIST:COUNT to 1. Related Commands: All LIST commands (See example, Figures B-2 and B-3.)

## B.27 [SOURCE:]LIST:COUNT COMMAND

## LIST:COUN

Syntax: Short Form: LIST:COUN<int\_value 0 to 255> Long Form: LIST:COUNt> <int\_value 0 to 255>

Description: **Establishes how many times the list is executed.** Allows user to establish how many times the list (established by LIST:GEN DSEQ or LIST:GEN SEQ and LIST:SEQ) is executed. The order (from beginning to end or from end to beginning) is determined by LIST:DIR. For LIST:COUN 0, the unit will execute the sequence indefinitely until either a VOLT:MODE FIXED, or PROG:STOP command is received. Commands: LIST:GEN, LIST:SEQ, LIST:DIR. (See example, Figures B-2 and B-3.)

## B.28 [SOURCE:]LIST:COUNT? QUERY

## LIST:COUN?

Syntax: Short Form: LIST:COUNT? Long Form: LIST:COUNt?  
Return Value: <int\_value>

Description: **Identifies how many times the list will be executed.** Returns value set by LIST:COUN command. (See example, Figure B-3.)

**B.29 [SOURCE:]LIST:COUNT:SKIP COMMAND**

**LIST:COUNT:SKIP**

Syntax: Short Form: LIST:COUNT:SKIP nn Long Form: LIST:COUNT:SKIP nn  
 nn = <int\_value 0 to 255>

Description: **Allows beginning steps of list-generated waveform to be run once, then ignored.**

When a list is to be repeated using LIST:COUNT, this command allows the user to skip the first nn steps once the full set has been executed. After the first iteration (which executes all steps), the first nn steps are skipped. The LIST:COUNT:SKIP command allows the user to precondition a list-generated waveform by setting unique conditions at the beginning that are not repeated for the rest of the repetitions. LIST:CLEar sets nn to 0. Only works in LIST:DIR UP mode; if LIST:DIR DOWN is issued, this command has no effect. Related Commands: LIST:COUNT, LIST:COUNT:SKIP?, LIST:SEQ, LIST:DIR, LIST:CLE. (See example, Figures B-2 and B-3.)

**B.30 [SOURCE:]LIST:COUNT:SKIP? QUERY**

**LIST:COUNT:SKIP?**

Syntax: Short Form: LIST:COUNT:SKIP? Long Form: LIST:COUNT:SKIP?  
 Return Value: <int\_value>

Description: **Identifies how many steps will be skipped the first time the list is executed.** Returns value set by LIST:COUNT:SKIP command. (See examples, Figure B-3.)

**B.31 [SOURCE:]LIST:CURREnt COMMAND**

**LIST:CURREnt**

Syntax: Short Form: LIST:CURREnt <exp\_value>, <exp\_value>, . . . (to max of 1002 data points)  
 Long Form: LIST:CURREnt <exp\_value>, <exp\_value>, . . . (to max of 1002 data points)  
 <exp\_value> = digits with decimal point and Exponent, e.g., 2.71E1 for 27.1

Description: **Adds the current value (in Amps) to list.** This command sequentially adds LIST:CURREnt values to the main channel List Data Table locations illustrated in Table B-2. Starting location is indicated by LIST:CURREnt:POIN? These locations correspond to the default sequence (LIST:GEN DESQ). The maximum number of entries is 1002. Since the input buffer of the BIT 802E has a limit of 253 characters, multiple commands are necessary to complete the full 1002 entries of the list. If LIST:VOLT has any entries, an error message: -221,"Settings conflict" is posted in the error queue. Related Commands: LIST:CURREnt:POIN?. (See example, Figure B-3.)

**TABLE B-2. LIST DATA TABLE**

Location (DSEQ)	0	1	2	3	4	5	6	7	8	9	10	11	12	13	14	15	16	17	.....	1001
Main Channel (commanded mode) LIST:CURREnt or LIST:VOLTage																			.....	
LIST:DWELI																			.....	

NOTE: FUNC:MODE determines whether main channel is for voltage or current. FUNC:MODE CURR must precede LIST:CURREnt commands, FUNC:MODE VOLT must precede LIST:VOLT commands

**B.32 [SOURCE:]LIST:CURREnt? QUERY**

**LIST:CURREnt?**

Syntax: Short Form: LIST:CURREnt? Long Form: LIST:CURREnt?  
 Return Value: <value1>, <value2>, . . . to <value16>

Description: **Identifies the parameters (main channel) entered for the list.** Starting at location established by LIST:QUERY, returns comma-separated list of up to 16 values indicating the main channel parameters entered, i.e., the contents of main channel locations of Table B-2. Related Commands: LIST: CURREnt, LIST:QUERY. If LIST:VOLT has any entries, an error message: -221,"Settings conflict" is posted in the error queue. (See example, Figure B-3.)

### B.33 [SOURCE:]LIST:CURREnt:POINts? QUERY

## LIST:CURRE:POIN?

Syntax: Short Form: LIST:CURRE:POIN? Long Form: LIST:CURREnt:POINts?  
Return Value: <value> (0 to 1001)

Description: **Identifies the total number of points in a list and the next location to be filled by LIST:CURRE command.** The LIST:CURRE pointer is initially at 0 via LIST:CLEAR. For each data point entered by a LIST:CURRE command the list pointer is incremented. If LIST:CURRE:POIN? returns 5, the LIST:CURRE pointer is at 5, indicating there are 6 data points comprising the list. If LIST:VOLT has any entries, an error message: -221, "Settings conflict" is posted in the error queue. Related Commands: LIST:CURRE. (See example, Figure B-3.)

### B.34 [SOURCE:]LIST:DIRection COMMAND

## LIST:DIR

Syntax: Short Form: LIST:DIR (UP|DOWN) Long Form: LIST:DIRection (UP|DOWN)

Description: **Allows the list to be executed from beginning to end (UP) or from end to the beginning (DOWN).** \*RST or LIST:CLEAR sets the list to the UP direction (beginning to end). Works with both LIST:GEN DSEQ and LIST:GEN SEQ commands. Related Commands: LIST:GEN. LIST:SEQ, LIST:DWEL?. (See example, Figures B-2 and B-3.)

### B.35 [SOURCE:]LIST:DIRection? QUERY

## LIST:DIR?

Syntax: Short Form: LIST:DIR? Long Form: LIST:DIRection?  
Return Value: <value> (UP or DOWN)

Description: **Identifies the direction (up or down) for executing the list established by LIST:DIR.** Related Commands: LIST: DIR. (See example, Figure B-3.)

### B.36 [SOURCE:]LIST:DWELI COMMAND

## LIST:DWEL

Syntax: Short Form: LIST:DWEL <value> (0.0005 to 10),<value>,<value>, . . . to maximum of 1002 values  
Long Form: LIST:DWELI <value> (0.0005 to 10),<value>,<value>, . . . to maximum of 1002 values

Description: **Determines how long the main channel parameters will be active.** Sets time value (from 0.0005 to 10) in seconds for List:Dwell locations illustrated in Table B-2. These locations are associated with the corresponding main channel locations illustrated in Table B-2. The main channel is determined by FUNC:MODE, either current (FUNC:MODE CURR) or voltage (FUNC:MODE VOLT) If LIST:DWEL is entered for only location 0, that time duration will apply to all steps when either VOLT:MODE LIST or CURR:MODE LIST is executed. Related Commands: VOLT:MODE, FUNC:MODE, LIST:CURRE, LIST:VOLT, LIST:DWEL?, LIST:SEQ. (See example, Figures B-2 and B-3.)

### B.37 [SOURCE:]LIST:DWELI? QUERY

## LIST:DWEL?

Syntax: Short Form: LIST:DWEL? Long Form: LIST:DWELI?  
Return Value: <value>

Description: **Identifies the dwell times entered for the list.** Starting at location established by LIST:QUERY, returns comma-separated list of up to 16 values indicating the dwell time parameters entered. i.e., the contents of LIST:DWEL locations of Table B-2. Related Commands: LIST: DWEL, LIST:QUERY. (See example, Figure B-3.)

### B.38 [SOURCE:]LIST:DWELI:POINts? QUERY

## LIST:DWEL:POIN?

Syntax: Short Form: LIST:DWEL:POIN? Long Form: LIST:DWELI:POINts?  
Return Value: <value> (0 to 1001)

Description: **Identifies the number of locations for which time values have been entered and the next location to be filled by a LIST:DWEL command.** If LIST:DWEL:POIN? returns 6, dwell times have been entered for locations 0 through 5 and location 6 is the next to be filled by a LIST:DWEL command. LIST:DWEL, LIST:DWEL:POIN. (See example, Figure B-3.)

### SIMPLE STAIRCASE SAWTOOTH WAVEFORM EXAMPLE

*RST	Resets power supply to the default state.
CURR 1	Sets programmed current to 1A.
LIST:CLE	Clears all list entries by setting all pointers to 0.
LIST:VOLT -5,-4,-3,-2, -1,0,1,2,3,4,5	Create 10 steps that increases from -5V to +5V.
LIST:DWEL 2	Set the dwell time for each step to 2 seconds.
LIST:COUN 10	Determines that the list will be repeated 10 times when executed.
OUTP ON	Turns the BOP output on.
VOLT:MODE LIST	Initiates execution of the list.

Upon sending VOLT:MODE LIST, the unit outputs a sawtooth waveform that increases from -5V to +5V and repeats 10 times. Each step is 1V with a dwell time of 2 seconds. There is an abrupt change from +5V to -5V each time the list transitions from the last step to the first step of the waveform. After the waveform repeats 10 times, the list stops running and the unit output will be +5V (the last step in the list). The total list running time is equal to:

$10 \text{ (from LIST COUN)} \times 11 \text{ (total number of list steps)} \times 2 \text{ seconds (dwell time of each step)} = 220 \text{ seconds}$

To invert the waveform, when the list stops running, add the following command between OUTP ON and VOLT:MODE LIST above.

LIST:DIR DOWN	List direction is from the end to the beginning of the list.
---------------	--

Upon sending VOLT:MODE LIST, the unit outputs an inverted sawtooth waveform that is similar to the non inverted waveform, except it decreases from +5V to -5V and abruptly returns to +5V. After the waveform repeats 10 times, the list stops running and the unit output will be -5V (the first step in the list, and the last step executed). The total list running time is the same as before the direction was reversed.

### SIMPLE STAIRCASE TRIANGLE WAVEFORM EXAMPLE

*RST	Resets power supply to the default state
CURR 1	Sets programmed current to 1A
LIST:CLE	Clears all list entries by setting all pointers to 0.
LIST:VOLT 0,1,2,3,4,5,6,7,8,9,10	Create 11 steps that increase from 0V to +10V.
LIST:VOLT 9,8,7,6,5,4,3,2,1,0	Create 10 steps that decrease from +9V to 0V. The 21-step list forms a triangle stair waveform that first increases from 0V to +10V and then decreases to 0V.
LIST:DWEL 2	Sets the dwell time for each step to 2 seconds.
LIST:COUN 10	Determines that the list will be repeated 10 times when executed.
OUTP ON	Turns the BOP output on
VOLT:MODE LIST	Initiates execution of the list.

The unit outputs a triangle stair waveform, that increases from 0V to +10V and then decrease to 0V. The waveform repeats 10 times. Each step is 1V with a dwell time of 2 seconds. The waveform stays at 0V for 4 seconds because for each repetition, the last step of the decreasing list and the first step of the increasing list are both 2 seconds at 0V. When the list stops running, the output will be 0V (the last step of the list). The total list running time is equal to:

$10 \text{ (from LIST COUN)} \times 21 \text{ (total number of list steps)} \times 2 \text{ seconds (dwell time of each step)} = 420 \text{ seconds}$

To eliminate the first step and make the waveform times even, when the list stops running, add the following command between OUTP ON and VOLT:MODE LIST above.

LIST:COUN:SKIP 1	Skip first step (0V level) after the first iteration
------------------	--

Upon sending VOLT:MODE LIST, the unit outputs a triangle stair waveform, that is identical to the original, except that the first step (0V) is only executed for the first iteration. After 10 repetitions the list stops running and the output is 0V. The total list running time is equal to:

$10 \text{ (from LIST COUN)} \times 20 \text{ (total number of repeated list steps)} \times 2 \text{ seconds (dwell time of each step)} = 400 \text{ seconds} + 2 \text{ seconds (dwell time of first step, run only once)} = 402 \text{ seconds.}$

**FIGURE B-2. USING LIST COMMANDS FOR SAWTOOTH AND TRIANGLE WAVEFORMS**

NOTES:	Examples below are intended only to illustrate command functions. Refer to PAR. 3.5.2 for programming techniques to optimize performance.
FUNC:MODE VOLT	Initializes the power supply mode to be voltage.
LIST:CLEAR	Initializes the list processor to add entries, clears main channel (LIST:CURRE or LIST:VOLT) and LIST:DWEL data tables (Table B-2) and List Sequence table (Table B-3).
LIST:DWELL .010	Sets the time duration for location 0 to be 0.010 second (Since dwell times for the rest of the locations in this sample list are not entered before running the list, the dwell time will be 0.010 second for all locations.
LIST:VOLT -20,-18,-16,-14,-12,-10,-8,-6,-4,-2,0	Starting at location 0 (-20), up to location 10 (0), fills the list with 11 data points.
LIST:VOLT:POIN?	Returns 11. Indicates that 11 data points have been entered, and location 11 is the next location to be filled (for the 12th data point).
NOTE: See PAR. B.2 for format and accuracy of all numerical data returned.	
LIST:QUERY?	Returns 0 (pointer cleared by LIST:CLE).
LIST:VOLT?	Returns -20,-18,-16,-14,-12,-10,-8,-6,-4,-2,0 (the contents of locations 0 through 10). (See PAR. B.2 for format and accuracy of numerical data.)
LIST:VOLT 2,4,6,8,10,12,14,16,18,20	Adds 10 points to the list (location 11 through 20). List now has 21 points.
LIST:VOLT:POIN?	Returns 21 (the next location to be filled by LIST:VOLT).
LIST:VOLT?	Returns -20,-18,-16,-14,-12,-10,-8,-6,-4,-2,0,2,4,6,8 (the contents of locations 0 through 15).
LIST:GEN SEQUENCE	Enables the execution of a user-determined sequence list
LIST:SEQ 0, 0, 0, 0,1,2,3,4,5,6,7,8,9,10,11,12,13,14,15,16,17,18,19,20	Establishes the user-determined sequence.
LIST:SEQ 19,18,17,16,15,14,13,12,11,10,9,8,7,6,5,4,3,2,1,0	Continues the user-determined list sequence. The SEQ values entered mean that if LIST:GEN SEQ is issued, the list will execute location 0 four times (-20V for 40 milliseconds) location 1 through 20 and 19 through 0 (10 milliseconds each) for a total of 44 data points when VOLT:MODE LIST is issued.
LIST:SEQ?	Returns 0,0,0,0,1,2,3,4,5,6,7,8,9,10,11,12 (LIST:SEQ locations 0 through 15).
LIST:QUERY 16	Start LIST queries from location 16.
LIST:SEQ?	Returns 13,14,15,16,17,18,19,20,19,18,17,16,15,14,13,12 (LIST:SEQ locations 16 through 31).
LIST:QUERY 32	Start LIST queries from location 32.
LIST:SEQ?	Returns 11,10,9,8,7,6,5,4,3,2,1,0 (LIST:SEQ locations 32 through 43).
LIST:COUNT 100	Specifies that when VOLT:MODE LIST is issued, the user-determined sequence will be executed 100 times. (44 steps in the list will be executed 100 times)
LIST:COUN:SKIP 4	Specifies that the first 4 steps of the sequence will only be executed the first time through the list. For the subsequent 99 iterations established by LIST:COUNT 100, location 0 (-20V) will last 10 milliseconds.
CURR 1;VOLT -20	initializes the BOP output.
OUTPUT ON	Turns the output on (BOP now provides -20 volts)
VOLT:MODE LIST	Executes the list. For 40 milliseconds the BOP outputs -20V, then output a staircase triangle wave from -20V to +20V and back down to -20V. This staircase will have a uniform spacing between voltage changes of 10 milliseconds and will repeat 100 times.
VOLT?	Returns -20 (the last step in the list set the unit to -20V).
LIST:GEN?	Returns SEQ to indicate the list will be executed in the user-determined order entered by LIST:SEQ (Table B-3).

**FIGURE B-3. USING LIST COMMANDS AND QUERIES (SHEET 1 OF 2)**



LIST:GEN DSEQ	Changes the list to execute sequentially from locations 0 through 20).
LIST:COUN:SKIP?	Returns 4. Skip first 4 steps after the first time through count.
LIST:COUN:SKIP 0	Specifies no steps to be skipped after the first time through the count.
LIST:COUNT?	Returns 100.
LIST:COUNT 10	Determines that the list will be repeated 10 times when executed.
LIST:COUNT?	Returns 10.
VOLT:MODE LIST	Initiates execution of the list. The unit outputs a sawtooth waveform that increases from -20V to +20V and repeats 10 times. There is an abrupt change from +20V to -20V each time the list transitions from location 20 to location 0.
VOLT?	Returns 20, (the last step in the list set the unit to 20V.
LIST:VOLT:POIN?	Returns 21 (the next location to be filled by LIST:VOLT).
LIST:VOLT 10,0,-10	Add 3 points to the list (location 21 through 23).
LIST:COUN?	Returns 10 indicating that the list will be repeated 10 times when executed.
LIST:DIR?	Returns UP (the default.)
LIST:DIR DOWN	Reverses the sequence order.
VOLT:MODE LIST	The list (24 steps) is executed. The output starts at -10V, goes to 0V, to 10V to 20V then decreases to -20V in 2V steps and repeats 10 times. The sawtooth is similar to the previous sawtooth, except the waveform is inverted and the abrupt change from -20 to +20 is executed in three steps of 10 volts.
LIST:GEN?	Returns DSEQ (default sequence))
LIST:GENERATION:SEQ	Changes sequence to user determined sequence.
VOLT:MODE:LIST	The original list of 4400 points will be executed (without the three new steps.)
LIST:QUERY 0	Sets query pointer to zero.
LIST:DWEL:POIN?	Returns 1 indicating the next dwell time will be entered in location 1.
LIST:DWELL .01,.01,.01,.01,.01,.01,.01,.01,.01	Enters dwell time of 0.01 seconds in locations 1 through 9.
LIST:DWELL 1	Enters dwell time of 1 second in location 10.
VOLT:MODE LIST	the list is not executed, the unit returns error -221,Settings Error indicating the lists are not balanced.
LIST:DWELL:POINTS?	Returns 11 to indicate the dwell list has 11 entries
LIST:VOLT:POINTS?	Returns 24 to indicate the voltage list has 24 entries.
LIST:DWELL .01,.01,.01,.01,.01,.01,.01,.01,.01,.1,.1,.1	Dwell times are entered in locations 11 through 23.
DWELL:POINTS?	Returns 24 indicating there are now 24 step dwell times on the list.
LIST:QUER?	Returns 0 indicating list queries will start from location 0
LIST:QUER 18	Causes list queries to start at location 18
LIST:DWEL?	Returns .01,.01,.01,.1,.1,.1 (the dwell times for locations 18 through 23.
LIST:VOLT?	Returns 16,18,20,10,0,-10
LIST COUNT 0	List will repeat indefinitely.
VOLT:MODE LIST	The list is executed. Staircase wave now consists of 24 steps of .01 seconds except for the 0V step (location 10) which outputs 0V for 1 second. The end of the staircase has three steps of 0.1 second.
LIST:GEN?	Returns error -221,Settings Error because a LIST command cannot be executed while the LIST is still being executed.
VOLT:MODE FIX	Stops execution of the list
VOLT?	VOLT?Returns -20 (the last step in the list set the unit to -20V.
VOLT: -4	Programs output to -4V
VOLT:MODE TRAN .05	Prepares for a voltage transient lasting 0.05 seconds.
VOLT:RANG 4	Sets unit to 1/4 scale (e.g., for BOB 20-20M, maximum voltage now 5V.
VOLT: 3	Output goes to +3V for 0.05 second, then returns to -4V.

FIGURE B-3. USING LIST COMMANDS AND QUERIES (SHEET 2 OF 2)

# LIST:GEN

## B.39 [SOURCE:]LIST:GENERATION COMMAND

Syntax: Short Form: LIST:GEN (SEQ | DSEQ)  
 Long Form: LIST:GENERation (SEQuence | DSEQuence)

Description: **Establishes the order for executing the list.** Selects either default sequence (DSEQ) or a user-determined sequence (SEQ).

DSEQ is the default sequence shown in Table B-2 and Table B-3, 0 through 1001. When LIST:GEN DSEQ is issued, the data points are executed in order either from beginning (location 0) to end (the last location with data, up to location 1001), or from end to beginning (location 0). The order is established by LIST:DIR command.

SEQ allows the list to be executed by an arbitrary sequence (up to 512 steps) determined by LIST:SEQ and LIST:DIR. Related Commands: LIST:SEQ, LIST:DIR. (See example, Figure B-3.)

**TABLE B-3. LIST SEQUENCE TABLE**

LOCATION	0	1	2	3	4	5	6	7	8	9	10	11	12	13	14	15	16	17	.....	511	512		1001
DSEQ	0	1	2	3	4	5	6	7	8	9	10	11	12	13	14	15	16	17	.....				1001
SEQ																			.....		NOT AVAILABLE		

# LIST:GEN?

## B.40 [SOURCE:]LIST:GENERATION? QUERY

Syntax: Short Form: LIST:GEN? Long Form: LIST:GENERation?  
 Return Value: <value> (SEQ or DSEQ)

Description: **Identifies the sequence for executing the list.** Returns DSEQ for the default sequence, SEQ for user determined sequence. Related Commands: LIST:GEN. (See example, Figure B-3.)

# LIST:QUER

## B.41 [SOURCE:]LIST:QUERY COMMAND

Syntax: Short Form: LIST:QUER <int\_value>  
 Long Form: LIST:QUERy <int\_value>  
 int\_value = 0 to 1001

Description: **Determines first location to be queried by LIST:SEQ? query.** Related Commands: LIST:SEQ?. LIST:QUER?. (See example, Figure B-3.)

# LIST:QUER?

## B.42 [SOURCE:]LIST:QUERY? QUERY

Syntax: Short Form: LIST:SEQ? Long Form: LIST:SEQuence?  
 Return Value: <int\_value>

Description: **Identifies first location to be queried by LIST:SEQ?, LIST:VOLT?, LIST:CURR?, LIST:DWEL? queries.** Related Commands: LIST:QUER, LIST:SEQ. (See example, Figure B-3.)

# LIST:SEQ

## B.43 [SOURCE:]LIST:SEQUENCE COMMAND

Syntax: Short Form: LIST:SEQ <int\_value>, <int\_value>, etc. to max. of 512 locations  
 Long Form: LIST:SEQuence <int\_value>, <int\_value>, etc. to max. of 512 locations  
 int\_value = 0 to 511

Description: **Determines the order to execute data points of the list when LIST:GEN SEQ is issued. The LIST:SEQ command is provided for backward compatibility. It is not recommended to be used in any new designs as it may be eliminated at some point in the future.** Integer values fill the SEQ cells of the List Sequence Table (see Table B-3) in order, starting at location 0. For example, for a list with five points, if LIST:SEQ 4,2,1,3,0 is followed by LIST:GEN SEQ, the list will start from data point 4 (see Table B-2), then execute points 2, 1, 3, 0. (On the other hand, if LIST:GEN DSEQ is issued, data points are executed sequentially starting at 0, then 1, 2, 3, 4.) SEQ steps can be arranged to repeat steps in any order; for example a 17-step sequence for a list having five data points may be as follows: LIST SEQ 0,1,2,3,4,5,4,3,2,1,0,5,5,1,1,1 Related Commands: LIST:GEN. LIST:DIR, LIST:COUN, LIST:COUN:SKIP. (See example, Figure B-3.)

**B.44 [SOURCE:]LIST:SEQuence? QUERY****LIST:SEQ?**

Syntax: Short Form: LIST:SEQ? Long Form: LIST:SEQuence?  
Return Value: <value1>, <value2>, . . . to <value16>

Description: **Identifies the user-determined sequence for executing the list.** Starting at location established by LIST:QUERY, returns comma-separated list of up to 16 values indicating the user-determined sequence for executing the list, i.e., the contents of the SEQ locations of Table B-3. Related Commands: LIST: SEQ, LIST:QUERY. (See example, Figure B-3.)

**B.45 [SOURCE:]LIST:VOLTage COMMAND****LIST:VOLT**

Short Form: LIST:VOLT[:LEV] <exp\_value>, <exp\_value>, . . . (to max of 1002 data points)  
Long Form: LIST:VOLTage[:LEVel] <exp\_value>, <exp\_value>, . . . (to max of 1002 data points)  
<exp\_value> = digits with decimal point and Exponent, e.g., 2.71E1 for 27.1

Description: **Adds the voltage value (in Volts) to list.** This command sequentially adds LIST:VOLTage values to the main channel List Data Table locations illustrated in Table B-2. LIST:CLE sets starting location to 0. Next location indicated by LIST:VOLT:POIN? These locations correspond to the default sequence (LIST:GEN DESQ) The maximum number of entries is 1002. Since the input buffer of the BIT 802E has a limit of 253 characters, multiple commands are necessary to complete the full 1002 entries of the list. If LIST:CURR has any entries, an error message: -221,"Settings conflict" is posted in the error queue. Related Commands: LIST:VOLT:POIN?, FUNC:MODE, LIST:CLE, \*RST. (See example, Figures B-2 and B-3.)

**B.46 [SOURCE:]LIST:VOLTage? QUERY****LIST:VOLT?**

Syntax: Short Form: LIST:VOLT? Long Form: LIST:VOLTage?  
Return Value: <value1>, <value2>, . . . to <value16>

Description: **Identifies the parameters (main channel) entered for the list.** Starting at location established by LIST:QUERY, returns comma-separated list of up to 16 values indicating the main channel parameters entered. i.e., the contents of the main channel locations of Table B-2. Related Commands: LIST: VOLT, LIST:QUERY. If LIST:CURR has any entries, an error message: -221,"Settings conflict" is posted in the error queue. (See example, Figure B-3.)

**B.47 [SOURCE:]LIST:VOLTage:POINts? QUERY****LIST:VOLT:POIN?**

Syntax: Short Form: LIST:VOLT:POIN? Long Form: LIST:VOLTage:POINts?  
Return Value: <value> (0 to 1001)

Description: **Identifies the total number of points in a list and the next location to be filled by LIST:VOLT command.** The LIST:VOLT pointer is initially at 0 via \*RST or LIST:CLE. For each data point entered by a LIST:VOLT command the list pointer is incremented. If LIST:VOLT:POIN? returns 5, the LIST:VOLT pointer is at 5 indicating there are 5 data points comprising the list (locations 0 though 4) and location 5 is the next to be filled. If LIST:CURR has any entries, an error message: -221,"Settings conflict" is posted in the error queue. Related Commands: LIST:VOLT. (See example, Figure B-3.)

**B.48 [SOURCE:]CURRent[:LEVel][:IMMediate][:AMPlitude] COMMAND****CURR**

Syntax: Short Form: [SOUR:]CURR[:LEV][:IMM][:AMP] <exp\_value>  
Long Form: [SOURCE:]CURRent[:LEVel][:IMMediate][:AMPlitude] <exp\_value>  
<exp\_value> = digits with decimal point and Exponent, e.g., 2.71E1 for 27.1

Description: **Sets programmed current level at power supply output.** This command programs output current to a specific value; actual output current will depend on load conditions. If CURR:RANG is set to 4, any data that exceeds 1/4 of  $I_{MAX}$  causes error message -222 "data out range" to be posted to the error queue (See example, Figure B-4.)

**B.49 [SOURCE:]CURRent[:LEVel][:IMMediate][:AMPlitude] QUERY****CURR?**

Syntax: Short Form: [SOUR:]CURR[:LEV][:IMM][:AMP]? MIN, MAX  
Long Form: [SOURCE:]CURRent[:LEVel][:IMMediate][:AMPlitude]? MIN, MAX  
**Return Value:**<exp\_value> = digits with decimal point and Exponent, e.g., 2.71E1 for 27.1

Description: **Returns either the programmed value, maximum value, or minimum value of current.** The CURR? query returns the programmed value of current. Actual output current will depend on load conditions. The CURR?MAX query returns the maximum current allowed for a particular model. CURR? MIN returns minimum current allowed for power supply (always negative). **Related Commands:** CURR. (See example, Figure B-4.)

- NOTES: 1. The power supply is assumed to be operating in Voltage mode.  
 2. Examples below are intended only to illustrate command functions. Refer to PAR. 3.5.2 for programming techniques to optimize performance.

OUTP ON	Turns the output on.
VOLT 21; CURR 1.5	Since power supply is in voltage mode, output is programmed to go to 21V, current limit 1.5A.
INIT:CONT ON	Continuous triggers enabled.
INIT:CONT?	Power supply returns "1."
VOLT:TRIG 15;CURR:TRIG 3	Power supply output programmed to return to 15V, current limit 3A upon receipt of trigger.
*TRG	Power supply output returns to 15V,current limit 3A.
VOLT 21; CURR 5E-2	Power supply output programmed to go to 21V, current limit 0.05A.
MEAS:VOLT?	If actual value of output voltage is 20.9V, power supply returns 2.09E1.
MEAS:CURR?	If actual value of output current is 0.0483A, power supply returns 4.83E-2.
FUNC:MODE CURR	Establishes Current mode as power supply operating mode.
VOLT 21; CURR 1.1	Power supply programmed to voltage limit 21V, 1.1A.
CURR?	Returns 1.1.
FUNC:MODE VOLT	Establishes Voltage mode as power supply operating mode.
CURR:TRIG?	Returns 3 (current value established by CURR:TRIG).
VOLT:TRIG?	Returns 15 (voltage value established by VOLT:TRIG).
TRIG	Power supply output returns to 15V, current limit 3A.
INIT:CONT 0	Triggers disabled.
INIT:CONT?	Power supply returns "0."
VOLT 0	Power supply output programmed to go to 0V.
MEAS:VOLT?	Returns 0. (measured output voltage).
VOLT?	Returns 0.(programmed output voltage).
CURR?	Returns 1.5 (programmed current).
MEAS:CURR?	Returns 0. (measured output current).
CURR:RANG 4	Set the current range to 1/4 of full scale. The maximum current for a 100-1 BOP is now 0.25ampere.
CURR .3	Selecting a range greater than 0.25 results in no change of output current.
CURR .2	Sets power supply to deliver 0.2 ampere at 0.024% accuracy.
CURR AUTO	The power supply remains in 1/4 scale.
CURR .5	Sets the output to be 1/2 ampere in the high range.
CURR:RANG?	Unit returns a 1 indicating unit range is full scale.

FIGURE B-4. PROGRAMMING THE OUTPUT

### B.50 [SOURce:]CURREnt:MODE COMMAND

## CURR:MODE

Syntax: Short Form: [SOUR:]CURR:MODE (FIX | LIST | TRAN) nn  
 Long Form: [SOURce:]CURREnt:MODE (FIXed | LIST | TRANSient) nn  
 nn = <value> = time in seconds for transient

Description: **Allows the user to execute or stop a list, or to execute a transient.** The default mode is FIXed: the power supply executes commands normally, and LIST commands can be issued to establish the parameters and sequence of a list.

When CURR:MODE LIST is issued, a list is executed (See LIST commands and Figure B-3) using the voltage limit setting that is in effect when CUIRR:MODE LIST is issued. If the list runs to completion, the settings of the next to last step of the list will be in effect and the voltage limit setting will be unchanged. While the list is being executed, LIST:VOLT, LIST:CURR and FUNC:MODE commands are not accepted and will produce a command error or settings conflict error.

Issuing CURR:MODE FIX while the list is running will stop the execution of the list and set the power supply to 0V and 0A. The voltage limit setting will be set to 0V.

CURR:MODE TRANS nn causes the next CURR: command to produce a transient pulse of nn seconds duration, after which the current reverts back to the previous setting (Similar to VOLT:MODE TRANS (see PAR. B.59 for examples). If the time nn exceeds 10 seconds, error message -222 "data out range" is posted to the error queue. **Related Commands:** LIST commands. (See example, Figures B-2 and B-3.)

**B.51 [SOURce:]CURRent:MODE? QUERY****CURR:MODE?**

Syntax: Short Form: [SOUR:]CURR[:LEV]:MODE?  
 Long Form: [SOURce:]CURRent[:LEVel]:MODE?  
**Return value:** FIXED or LIST or TRANS

Description: **Identifies active current mode.** Returns LIST while list is being executed. Returns TRANSIENT after CURR:MODE:TRAN command has been issued, but before CURR: or \*TRG command executes the transient. Returns FIXED while in fixed (default) mode of operation. **Related Commands:** LIST commands. (Similar to VOLT:MODE?, see Figure B-3.)

**B.52 [SOURce:]CURRent[:LEVel]RANGe COMMAND****CURR:RANG**

Syntax: Short Form: [SOUR:]CURR[:LEV]:RANG <value>  
 Long Form: [SOURce:]CURRent[:LEVel]:RANGe <value>  
 <value> = 1 (full scale) or 4 (1/4 scale)

Description: **Allows the user to specify the operating range for control of output current.** Range = 1 allows control of output current from 0 to full scale. Range = 4 allows the full range of the 16 bit D to A converter to control 1/4 of the full scale output current. This command will generate a command warning error if the unit is not in current mode. It will be remembered until a func:mode command is processed. (See example, Figure B-4.)

**B.53 [SOURce:]CURRent[:LEVel]RANGe? QUERY****CURR:RANG?**

Syntax: Short Form: [SOUR:]CURR[:LEV]:RANG?  
 Long Form: [SOURce:]CURRent[:LEVel]:RANGe?

Description: **Identifies programmed current range.** Returns 1 (full scale) or 4 (1/4 scale) (See example, Figure B-4.)

**CURR:RANG:AUTO****B.54 [SOURce:]CURRent[:LEVel]RANGe:AUTO COMMAND**

Syntax: Short Form: [SOUR:]CURR[:LEV]:RANG:AUTO <boolean>  
 Long Form: [SOURce:]CURRent[:LEVel]:RANGe:AUTO <boolean>  
 <boolean> = 1 (on) or 0 (off)

Description: **Allows the user to specify automatic range for control of output voltage or current.** Upon power up or upon receiving \*RST, automatic ranging is selected. Automatic ranging can be turned off by VOLT:RANG:AUTO 0, CURR:RANG:AUTO 0, VOLT:RANG 1 or 4, or CURR:RANG 1 or 4. When automatic ranging is set, the correct range is automatically selected based on the programmed parameter. If the programmed parameter is more than 1/4 of nominal full scale, full scale is selected; if equal to or less than 1/4 of full scale, the 1/4 scale range is selected. For example, if auto ranging is set for a unit with 100V nominal output operating in voltage mode, a programmed voltage of up to 25.0V automatically selects range to 1/4 scale, while programming anything above 25.0V selects full scale. Function is identical to VOLT:RANG:AUTO.

**B.55 [SOURce:]CURRent[:LEVel]TRIGgered[:AMPlitude] COMMAND****CURR:TRIG**

Syntax: Short Form: [SOUR:]CURR[:LEV]:TRIG[:AMP] <exp\_value>  
 Long Form: [SOURce:]CURRent[:LEVel]:TRIGgered[:AMPlitude] <exp\_value>  
 <exp\_value> = digits with decimal point and Exponent, e.g., 2.71E1 for 27.1

Description: **Programs current value to be transferred to output by \*TRG or TRIG commands.** This command can be used to reset many power supplies to preselected parameters by issuing a single \*TRG or TRIG command. Actual output current will depend on load conditions. If the value exceeds the maximum for the model being programmed, error message -222, "Data out of range" is posted in output queue. **Related Commands:** CURR, \*TRG, TRIG (See example, Figure B-5.)

**B.56 [SOURce:]CURRent[:LEVel]TRIGgered[:AMPlitude]? QUERY****CURR:TRIG?**

Syntax: Short Form: [SOUR:]CURR[:LEV]:TRIG[:AMP]?  
 Long Form: [SOURce:]CURRent[:LEVel]:TRIGgered[:AMPlitude]?  
**Return Value:** <exp\_value> = digits with decimal point and Exponent, e.g., 2.71E1 for 27.1

Description: **Returns the current value established by CURR:TRIG command.** (See example, Figure B-5.)

- NOTES: 1. The power supply is assumed to be operating in Voltage mode.  
 2. Examples below are intended only to illustrate command functions. Refer to PAR. 3.5.2 for programming techniques to optimize performance.

*RST	BOP goes to 0 volts, 0 amperes, Voltage mode.
VOLT 10;CURR 1	The voltage is placed in memory of the BOP. No Output Changes.
OUTP ON	Turns on Output, 10 Volts up to 1 ampere will be delivered.
VOLT:TRIG 1;CURR:TRIG 2	Trigger is placed in RAM.
*SAV 6	Volt 1, Current 2 and Volt mode stored in Memory location 6.
*TRG	No action - Trigger control not sent.
VOLT:TRIG 3;FUNC:MODE:TRIG CURR	No action - Trigger placed in RAM.
*SAV 7	Volt 3, curr 2, current mode saved in location 7
*RCL 6;VOLT:TRIG?	BOP returns 1 (= 1V) (saved value of memory 6)
FUNC:MODE:TRIG?	BOP returns 0 (= trigger will command voltage mode)
*RCL 6;VOLT?	BOP returns 1 (output voltage now set to 1V.).
*RCL 7;;INIT;:VOLT:TRIG?	Enables the trigger capability, unit returns 3 (= 3V)
*TRG	The voltage is set to 3, and the unit mode changes to Current
FUNC:MODE:TRIG?;:FUNC MODE VOLT	Unit switches to voltage mode. Returns 1 (= trigger will command current mode.
FUNC:MODE:TRIG?	Unit returns 0 indicating Voltage mode trigger in effect.

FIGURE B-5. USING RECALL AND TRIGGER FUNCTIONS

### B.57 [SOURce:]VOLTage[:LEVel][:IMMediate][:AMPlitude] COMMAND

## VOLT

Syntax: Short Form: [SOUR:]VOLT[:LEV][:IMM][:AMP] <exp\_value>  
 Long Form: [SOURce:]VOLTage[:LEVel][:IMMediate][:AMPlitude] <exp\_value>  
 <exp\_value> = digits with decimal point and Exponent, e.g., 2.71E1 for 27.1

Description: **Sets programmed voltage level at power supply output.** This command programs output voltage to a specific value; actual output voltage will depend on load conditions. If the value exceeds the maximum for the model being programmed, error message -222, "Data out of range" is posted in output queue. (See example, Figure B-4.)

### B.58 [SOURce:]VOLTage[:LEVel][:IMMediate][:AMPlitude]? QUERY

## VOLT?

Syntax: Short Form: [SOUR:]VOLT[:LEV][:IMM][:AMP]? {MIN | MAX}  
 Long Form: [SOURce:]VOLTage[:LEVel][:IMMediate][:AMPlitude]? {MIN | MAX}

Description: **Identifies programmed voltage, maximum allowable voltage, or minimum voltage (always 0).** The VOLT? query returns the programmed value of voltage. Actual output voltage will depend on load conditions. The VOLT?MAX query returns the maximum voltage allowed for a particular model. VOLT? MIN returns minimum voltage allowed for power supply (always negative). **Related Commands:** VOLT. (See example, Figure B-4.)

### B.59 [SOURce:]VOLTage:MODE COMMAND

## VOLT:MODE

Syntax: Short Form: [SOUR:]VOLT:MODE (FIX | LIST | TRAN) nn  
 Long Form: [SOURce:]VOLTage:MODE (FIXed | LIST | TRANSient) nn  
 nn = <value> = time in seconds for transient

Description: **Allows the user to execute or stop a list, or to execute a transient.** The default mode is FIXed: the power supply executes commands normally, and LIST commands can be issued to establish the parameters and sequence of a list.

When VOLT:MODE LIST is issued, a list is executed (See LIST commands and Figure B-3) using the current limit setting that is in effect when VOLT:MODE LIST is issued. If the list runs to completion, the settings of the next to last step of the list will be in effect and the current limit setting will be unchanged. While the list is being executed, LIST:VOLT, LIST:CURR and FUNC:MODE commands are not accepted and will produce a command error or settings conflict error.

Issuing VOLT:MODE FIX while the list is running will stop the execution of the list and set the power supply to 0V and 0A. The current limit setting will be set to 0A.

VOLT:MODE TRANS nn causes the next VOLT: command to produce a transient pulse of nn sec-

onds duration, after which the voltage reverts back to the previous setting. E.g., VOLT:25 sets the output to 25 volts, and VOLT:MODE TRAN .02 primes the unit for a transient of 0.02 seconds. When VOLT:10 is issued, the power supply output goes to 10V for 0.02 seconds, then reverts to 25V. Similarly, sending VOLT:TRIG 14, VOLT:MODE TRAN .05 and \*TRG causes the output to go to 14V for 0.05 seconds, then revert to 25V. **Related Commands:** LIST commands. (See example, Figures B-2 and B-3.)

#### B.60 [SOURce:]VOLTage:MODE? QUERY

### VOLT:MODE?

Syntax: Short Form: [SOUR:]VOLT[:LEV]:MODE?  
Long Form: [SOURce:]VOLTage[:LEVel]:MODE?  
**Return value:** FIXED or LIST or TRANS

Description: **Identifies active voltage mode.** Returns LIST while list is being executed. Returns TRANSIENT after VOLT:MODE TRAN nn command has been issued, but before VOLT: or \*TRG command executes the transient. Returns FIXED while in fixed (default) mode of operation. **Related Commands:** LIST commands. (See example, Figure B-3.)

#### B.61 [SOURce:]VOLTage[:LEVel]:RANGe COMMAND

### VOLT:RANG

Syntax: Short Form: [SOUR:]VOLT[:LEV]:RANG <value>  
Long Form: [SOURce:]VOLTage[:LEVel]:RANGe <value>  
<value> = 1 (full scale) or 4 (1/4 scale)

Description: **Allows the user to specify the operating range for the active mode (either voltage or current).** When in voltage mode this command establishes the voltage range, in current mode it establishes the current range. Range = 1 allows control of output voltage or current from 0 to full scale. Range = 4 allows the full range of the 16 bit D to A converter to control 1/4 of the full scale output voltage or current to provide greater accuracy. This command overrides VOLT:RANG:AUTO and turns auto ranging off. (Similar to CURR:RANG shown in Figure B-4.)

#### B.62 [SOURce:]VOLTage[:LEVel]:RANGe? QUERY

### VOLT:RANG?

Syntax: Short Form: [SOUR:]VOLT[:LEV]:RANG?  
Long Form: [SOURce:]VOLTage[:LEVel]:RANGe?  
**Return value:** 1 (full scale) or 4 (1/4 scale)

Description: **Identifies active range.** Returns 1 (full scale) or 4 (1/4 scale) (Similar to CURR:RANG? shown in Figure B-4.)

### VOLT:RANG:AUTO

#### B.63 [SOURce:]VOLTage[:LEVel]:RANGe:AUTO COMMAND

Syntax: Short Form: [SOUR:]VOLT[:LEV]:RANG:AUTO <boolean>  
Long Form: [SOURce:]VOLTage[:LEVel]:RANGe:AUTO <boolean>  
<boolean> = 1 (on) or 0 (off)

Description: **Allows the user to specify automatic range for control of output voltage or current.** Upon power up or upon receiving \*RST, automatic ranging is selected. Automatic ranging can be turned off by VOLT:RANG:AUTO 0, CURR:RANG:AUTO 0, VOLT:RANG 1 or 4, or CURR:RANG 1 or 4. When automatic ranging is set, the correct range is automatically selected based on the programmed parameter. If the programmed parameter is more than 1/4 of nominal full scale, full scale is selected; if equal to or less than 1/4 of full scale, the 1/4 scale range is selected. For example, if auto ranging is set for a unit with 100V nominal output operating in voltage mode, a programmed voltage of up to 25.0V automatically selects range to 1/4 scale, while programming anything above 25.0V selects full scale. Function is identical to CURR:RANG:AUTO.

#### B.64 [SOURce:]VOLTage[:LEVel]:TRIGgered[:AMPLitude] COMMAND ?

### VOLT:TRIG

Syntax: Short Form: [SOUR:]VOLT[:LEV]:TRIG[:AMP] <exp\_value>  
Long Form: [SOURce:]VOLTage[:LEVel]:TRIGgered[:AMPLitude] <exp\_value>  
<exp\_value> = digits with decimal point and Exponent, e.g., 2.71E1 for 27.1

Description: **Programs voltage value to be transferred to output by \*TRG or TRIG commands.** Actual output voltage will depend on load conditions. If the value exceeds the maximum for the model being programmed, error message -222,"Data out of range" is posted in output queue. If value exceeds VOLT:LIM:HIGH value, a value corresponding to the voltage limit will be programmed. (See example, Figure B-5.)

**B.65 [SOURce:]VOLTage[:LEVel]:TRIGgered[:AMPlitude]? QUERY****VOLT:TRIG?**

Syntax: Short Form: [SOUR:]VOLT[:LEV]:TRIG[:AMP]?

Long Form: [SOURce:]VOLTage[:LEVel]:TRIGgered[:AMPlitude]?

**Return Value:** <exp\_value> = digits with decimal point and Exponent, e.g., 2.71E1 for 27.1

Description: **Returns value established by VOLT:TRIG command representing voltage value to be programmed by \*TRG or TRIG command.** (See example, Figure B-5.)

**B.66 STATus:OPERation:CONDition QUERY****STAT:OPER:COND?**

Syntax: Short Form: STAT:OPER:COND? Long Form: STATus:OPERation:CONDition?

**Return Value:** <int\_value> 0 to 1313 (1 + 32 + 256 + 1024).

Description: **Returns the value of the Operation Condition Register (see Table B-4).** The Operation Condition Register contains unlatched real-time information about the operating conditions of the power supply. Bit set to 1 = function enabled (active, true); bit reset to 0 = function disabled (inactive, false). (See example, Figure B-6.)

**TABLE B-4. OPERATION CONDITION REGISTER, OPERATION ENABLE REGISTER, AND OPERATION EVENT REGISTER BITS**

CONDITION	NU	CC	NU	CV	NU	NU	NU	NU
BIT	15-11	10	9	8	7 - 6	5	4 - 1	0
VALUE	32,768 - 2048	1024	512	256	128 - 64	32	16 - 2	1

CC - POWER SUPPLY IN CURRENT MODE  
CV - POWER SUPPLY IN VOLTAGE MODE  
NU - NOT USED

**B.67 STATus:OPERation:ENABle COMMAND****STAT:OPER:ENAB**

Syntax: Short Form: STAT:OPER:ENAB <int\_value> 0 to 1313 (1 + 32 + 256 + 1024)

Long Form: STATus:OPERation:ENABle <int\_value> 0 to 1313 (1 + 32 + 256 + 1024)

Description: **Sets Operation Enable Register.** The Operation Enable Register is a mask for enabling specific bits in the Operation Event Register which will cause the operation summary bit (bit 7) of the Status Byte register to be set. Bit set to 1 = function enabled (active, true); bit reset to 0 = function disabled (inactive, false). The operation summary bit is the logical OR of all the enabled bits in the Operation Event register. (See example, Figure B-6.)

**B.68 STATus:OPERation:ENABle? QUERY****STAT:OPER:ENAB?**

Syntax: Short Form: STAT:OPER:ENAB? Long Form: STATus:OPERation:ENABle?

**Return Value:** <int\_value> 0 to 1313 (1 + 32 + 256 + 1024).

Description: **Reads Operation Enable Register (see Table B-4).** Returns value of Operation Enable Register bits. Bit set to 1 = function enabled (active, true); bit reset to 0 = function disabled (inactive, false). (See example, Figure B-6.)

**B.69 STATus:OPERation[:EVENT]? QUERY****STAT:OPER?**

Syntax: Short Form: STAT:OPER[:EVENT]? Long Form: STATus:OPERation[:EVENT]?

**Return Value:** <int\_value> 0 to 1313 (1 + 32 + 256 + 1024).

Description: **Indicates changes in conditions monitored by Operational Event Register (see Table B-4).** Returns the value of the Operation Event register. The Operation Event register is a read-only register which holds (latches) all events that occur. Reading the Operation Event register clears it. (See example, Figure B-6.)

**B.70 STATus:PRESet COMMAND****STAT:PRES**

Syntax: Short Form: STAT:PRES Long Form: STATus:PRESet

Description: **Disables reporting of all status events.** This command sets all bits of the Operation Condition (Table B-4) and Questionable Condition Registers to 0, preventing all status events from being reported. (See example, Figure B-6.)



NOTES: 1. The power supply is assumed to be operating in Voltage mode.  
 2. Examples below are intended only to illustrate command functions. Refer to PAR. 3.5.2 for programming techniques to optimize performance.

STAT:PRES	Operation Condition and Questionable Condition registers are reset.
STAT:QUES:ENAB 12228	Allows latching of CE and VE bits.
STAT:OPER:ENAB 1280	Mask enabled for CC and CV bits.
STAT:OPER:ENAB?	Returns 1280 (256 + 1024) (CC and CV bits set).
INIT:CONT ON	Continuous triggers enabled.
STAT:OPER:COND?	Power supply returns 256 to indicate that power supply is in Voltage mode.
STAT:OPER?	Returns 256, indicating that since the last reading of the Operation Event Register the power supply has entered Voltage mode.
STAT:OPER?	Returns 0 indicating no changes since previous reading of the Operation Event register.
STAT:QUES?	Returns 0 (no questionable conditions occurred since previous reading
	--- OVERCURRENT CONDITION OCCURS
SYST:ERR?	Power supply returns 0, "No error" message.
*RST::VOLT 5;CURR 1;OUTP ON	The BOP is in Voltage mode and delivering 5 Volts.
*ESR?	Bop returns a 0 - all functions are normal.
FUNC:MODE CURR	BOP is in Current mode but Limit Light is on.
*ESR?;STAT:QUES:COND?	BOP returns 8;4097 - Current error.
*ESR?;STAT:QUES?	BOP returns 0;4096 - no new errors, Current Error.
*ESR?;STAT:QUES?	BOP returns 0;0 - no new errors.
MEAS:CURR?;VOLT?	BOP returns 1.0E-4;5.00003E0 - Voltage is 5 volts.
STAT:QUES:COND?	BOP returns 4097 - error still in effect.
	Short is applied to the BOP.
*ESR?:STAT:QUES:COND?	BOP returns 0;1 - Current mode is selected.
MEAS:VOLT?;CURR?	BOP returns.1E-4;1.00003E0 - Current is 1 amperes.
FUNC:MODE VOLT;*ESR?	BOP switches mode, returns 3 - settling.
*ESR?:;STAT:QUES?	BOP returns 8;8194.
	Short is removed from the BOP output.
STAT:QUES:COND?	BOP returns 2, voltage mode operation OK.

FIGURE B-6. USING STATUS COMMANDS AND QUERIES

**B.71 STATus:QUESTIONable[:EVENT]? QUERY**

**STAT:QUES?**

Syntax: Short Form: STAT:QUES[EVEN]? Long Form: STATus:QUESTIONable[EVENT]?

Return Value: <int\_value> actual register value

Description: **Indicates the latched condition of the Questionable Event register.** Returns the value of the Questionable Event register (see Table B-5). The Questionable Event register is a read-only register which holds (latches) all events. Only bits 13 and 12 are latched in the Status Questionable Event register. Bits 0 and 1 of the Status Questionable Condition Register are not latched in the power supply. Reading the Questionable Event register clears it. (See example, Figure B-6.)

**TABLE B-5. QUESTIONABLE EVENT REGISTER, QUESTIONABLE CONDITION REGISTER AND QUESTIONABLE CONDITION ENABLE REGISTER BITS**

CONDITION	NU	CE	VE	NU	CM	VM
BIT	15-14	13	12	11 - 2	1	0
VALUE	32,768 -16,359	8192	4096	2048 - 4	2	1

CE CURRENT ERROR  
 VE VOLTAGE ERROR  
 CM CURRENT MODE  
 VM VOLTAGE MODE  
 NU NOT USED

**B.72 STATus:QUEStionable:CONDition? QUERY****STAT:QUES:COND?**

Syntax: Short Form: STAT:QUES:COND? Long Form: STATus:QUEStionable:CONDition?

**Return Value:** <int\_value> actual register value

Description: **Returns the value of the Questionable Condition Register (see Table B-5).** The Questionable Condition Register contains unlatched real-time information about questionable conditions of the power supply. Bit set to 1 = condition enabled (active, true); bit reset to 0 = condition disabled (inactive, false). Bits 1 or 0 may be both be set, indicating the power supply is settling after a voltage change. (See example, Figure B-6.)

**B.73 STATus:QUEStionable:ENABle COMMAND****STAT:QUES:ENAB**

Syntax: Short Form: STAT:QUES:ENAB <int\_value> Long Form: STATus:QUEStionable:ENABle <int\_value>

Description: **Programs Questionable Condition Enable Register (see Table B-5).** The Questionable Condition Enable Register determines which conditions are allowed to set the Questionable Condition Register; it is a mask for enabling specific bits in the Questionable Event register that can cause the questionable summary bit (bit 3) of the Status Byte register to be set. The questionable summary bit is the logical OR of all the enabled bits in the Questionable Event register. Bit set to 1 = function enabled (active, true); bit reset to 0 = function disabled (inactive, false). (See example, Figure B-6.)

**B.74 STATus:QUEStionable:ENABle? QUERY****STAT:QUES:ENAB?**

Syntax: Short Form: STAT:QUES:ENAB? Long Form: STATus:QUEStionable:ENABle?

**Return Value:** <int\_value> actual register value

Description: **Reads Questionable Condition Enable Register (see Table B-5).** Power supply returns value of Questionable Condition Enable Register, indicating which conditions are being monitored. Bit set to 1 = function enabled (active, true); bit reset to 0 = function disabled (inactive, false). **Related Commands:** STAT:QUES?. (See example, Figure B-6.)

**B.75 SYSTem:BEEP COMMAND****SYST:BEEP**

Syntax: Short Form: SYST:BEEP Long Form: SYSTem:BEEP

Description: **Causes the unit to emit a brief audible tone.**

**B.76 SYSTem:ERRor? QUERY****SYST:ERR?**

Syntax: Short Form: SYST:ERR? Long Form: SYSTem:ERRor?

**Return Value:** <int\_value,string>

Description: **Posts error messages to the output queue.** Returns the next error number followed by its corresponding error message string from the instrument error queue. The error queue is a FIFO (first in, first out) buffer that stores errors as they occur. As it is read, each error is removed from the queue and the next error message is made available. When all errors have been read, the query returns 0,"No error". If more errors are accumulated than the queue can hold, it will overflow. The oldest errors stay in the queue but the most recent errors are discarded. The last error in the queue will be -350,"Too many errors." Error messages are defined in Table B-6.

**B.77 SYSTem:ERRor:CODE? QUERY****SYST:ERR:CODE?**

Syntax: Short Form: SYST:ERR:CODE? Long Form: SYSTem:ERRor:CODE?

Description: **Returns the three character error code without the ASCII definition string.** The error codes are defined in table B-6 (See example, Figure B-8.)

**B.78 SYSTem:ERRor:CODE:ALL? QUERY****SYST:ERR:CODE:ALL?**

Syntax: Short Form: SYST:ERR:CODE:ALL? Long Form: SYSTem:ERRor:CODE:ALL?

Return Value:

Description: **Returns a comma-separated list of all error codes.** A maximum of 15 codes will be returned; if the queue is empty, the power supply returns 0.

**B.79 SYSTem:PASSword:CENable COMMAND****SYST:PASS:CEN**

Syntax: Short Form: SYST:PASS:CEN <val>  
Long Form: SYSTem:PASSword:CENable <val>

Description: **Sets the password enable state if the value matches the current password.** This command allows other commands such as DIAG:SAV and CALibrate to operate. To reset forgotten passwords, contact the factory.

**B.80 SYSTem:PASSword:CDISable COMMAND****SYST:PASS:CDIS**

Syntax: Short Form: SYST:PASS:CDIS <val> Long Form: SYSTem:PASSword:CDISable <val>  
 Description: **Clears the password enable state if the <value> matches the current password.**

**B.81 SYSTem:PASSword:NEW COMMAND****SYST:PASS:NEW**

Syntax: Short Form: SYST:PASS:NEW <old password>,<new password>  
 Long Form: SYSTem:PASSword:NEW <old password>,<new password>  
 Description: **Establishes new password.** The old (current) password is checked, then replaced by the new password. (See example, Figure B-8.)

**B.82 SYSTem:PASSword:STATe? QUERY****SYST:PASS:STAT?**

Syntax: Short Form: SYST:PASS:STAT? Long Form: SYSTem:PASSword:STATe?  
 Return Value: <int\_value> 0 or 1  
 Description: **Returns a 1 if the password state is enabled or a 0 if it is disabled.**

**B.83 SYSTem:REMOte COMMAND****SYST:REM**

Syntax: Short Form: SYST:REM {ON | OFF} or {1 | 0}  
 Long Form: SYSTem:REMOte {ON | OFF} or {1 | 0}

Description: **Used during serial (Telnet) communication to set the unit to remote (1 or ON) or local (0 or OFF) mode.** This command must be issued prior to commands that affect the power supply output (e.g., VOLT 10;:OUTP ON) to ensure the unit is in remote mode. See PAR. 3.5 and Figure B-7.

**B.84 SYSTem:REMOte? QUERY****SYST:REM?**

Syntax: Short Form: SYST:REM? Long Form: SYSTem:REMOte?  
 Return Value: {1 | 0}

Description: **Identifies whether unit is in remote mode (1) or local mode (0) during serial (Telnet) communication.** See PAR. 3.5 and Figure B-7.

**B.85 SYSTem:SECurity:IMMEDIATE COMMAND****SYST:SEC:IMM**

Syntax: Short Form: SYST:SEC:IMM Long Form: SYSTem:SECurity:IMMEDIATE  
 Description: **Initializes all NVRAM variables to factory defaults.** Empties all memory locations. This command is password protected and requires that SYST:PASS:CEN be issued before sending this command.

*IDN?	Unit responds with KEPCO,BOP 20-20,E1234,1.66 (typical).
OUTP?	Unit responds with 0 indicating output is off
SYST:REM?	Unit responds with 0 indicating unit is in local mode.
SYST:REM 1	PUTS UNIT IN REMOTE MODE.
OUTP ON	Enables output
OUTP?	Unit responds with 1 (output on).
SYST:REM 0	Unit set to local mode.

**FIGURE B-7. SETTING THE UNIT TO REMOTE MODE VIA TELNET**

**TABLE B-6. ERROR MESSAGES**

ERROR MESSAGE	ESR ERROR BIT SET (SEE PAR. A.5)	EXPLANATION
0, "No error"	None	No error
-100, "Command error"	Command Error bit 5	Command or data that followed command was not understood.
-109, "Missing Parameter"	Command Error bit 5	Command understood, required information was not included or incorrect.
-120, "Numeric data error"	Command Error bit 5	Expected number but other characters were detected.
-203, "Command Protected"	Execution error bit 4	Password must be CENabled.
-221, "Settings Conflict"	Execution error bit 4	Calibration state not enabled but CALibrate command received; or LIST:DIR set to DOWN.
-222, "Current, Voltage or Data out of range"	Execution error bit 4	Value (current or voltage) exceeds power supply rating or (data) exceeds acceptable command parameters.
-223, "Too Much Data"	Execution error bit 4	During a LIST command, the list became full, preventing all the data from being added to the list.
-226, "Lists not same length"	Execution error bit 4	During a LIST command, number of DWEL list entries was not equal to 1 and did not match number of LIST:VOLT or LIST:CURR entries.
-240, "Hardware error"	Execution error bit 4	Power supply did not respond to command.
-241, "Hardware missing; Discovery Only"	(no ESR bit set)	Access to the visa :instr:instr VXI-11 interface was attempted. This functionality is for discovery of the device only, use ni MAX manual entry to establish the socket type device at port 5025.
-301, "Voltage Error"	Device Error bit 3 <sup>(1)</sup>	Voltage output not within error window; unit set to output off -- only valid for DIAG:ERR 1, 2 or 3 mode (see PAR. 3.8.1 and Table 3-2).
-302, "Current Error"	Device Error bit 3 <sup>(1)</sup>	Current output not within error window; unit set to output off -- only valid for DIAG:ERR 1, 2 or 3 mode (see PAR. 3.8.1 and Table 3-2).
-311, "Memory Error"	Device Error bit 3 <sup>(1)</sup>	*SAV (save), *RCL (recall), or CALibrate:STORe error.
-350, "Queue Overflow"	Device Error bit 3 <sup>(1)</sup>	Error queue was full, error events have been lost.
-400, "QueryError"	Query Error bit 2	Data requested was lost due to 253 character limit of BIT 802E output buffer.
-420, "Query Unterminated"	Query Error bit 2	Controller sent query but did not accept data from power supply. See VOLT? (PAR. B.58), CAL:SAVE (PAR. B.58) commands
(1)	The Device error bit may be set when the status monitoring functions of the power supply detect an overvoltage/undervoltage condition.	

## B.86 SYSTem:SET COMMAND

## SYST:SET

Syntax: Short Form: SYSTem:SET {CM0 | CM1 | DC0 | DC1 | LF0 | LF1 | RO0 | RO1}  
Long Form: SYSTem:SET {CM0 | CM1 | DC0 | DC1 | LF0 | LF1 | RO0 | RO1}

Description: **Establishes Device Clear, Line Feed, and Reset functions. Sending SYST:SEC:IMM sets LF1, DC0, and RO0 (as if CM0 was sent)**

DC0	Device Clear functions per IEEE 488.2 Standard: No effect on the device (power supply), only clears internal status registers.
DC1	Device Clear functions identical to *RST: Output set to 0V, voltage mode and output set to OFF except if RO1 (see below) is set.
LF0	Line Feed not provided upon empty buffer condition.
LF1	Line Feed provided if buffer is empty and a read is performed.
RO0	*RST and power up set output to OFF, 0V, 0A, voltage mode.
RO1	*RST sets output to ON, 0V, 0A, voltage mode. Subsequent VOLT and CURR commands are immediately present at the output without sending OUTP ON (OUTP OFF and OUTP ON function normally to turn the output off or on).
CM0	Establishes DC0, LF0, RO0 conditions described above (SCPI 1997 Standard compliance).
CM1	Establishes DC1, LF1, RO1 conditions described above. (Compatible with software versions 1.2 and earlier.) (See example, Figure B-8.)

## B.87 SYSTem:SET? QUERY

## SYST:SET?

Syntax: Short Form: SYST:SET? Long Form: SYSTem:SET?  
Return Value: DC<n>,LF<n>,RO<n> where n = 0 or 1

Description: **Identifies functions established by SYST:SET command.** (See example, Figure B-8.)

## B.88 SYSTem:VERSion? QUERY

## SYST:VERS?

Syntax: Short Form: SYST:VERS? Long Form: SYSTem:VERSion?  
Return Value: <int\_value>.<int\_value> (YYYY.V)

Description: **Identifies SCPI Version implemented.** Returns SCPI Version number:  
YYYY = year, V = Revision number for specified year. (See example, Figure B-8.)

SYST:VERS?	Unit returns 1997
SYST:SET?	Unit returns DC0,LF0,RL0
SYST:PASS:NEW DEFAULT,OKAY	Unit changes password to be OKAY
SYST:SET LF1,RL1,DC1	Configures BIT 802E card as BIT 4882
DIAG:SAV;:SYST:ERR:CODE?	BOP returns -231 indicating command is protected
SYST:PASS:CEN OKAY	Password enabled commands are accepted
DIAG:SAV	Unit saves the LF1 state for next power on cycle.

FIGURE B-8. USING SYSTEM COMMANDS AND QUERIES

