

# INSTRUCTION MANUAL

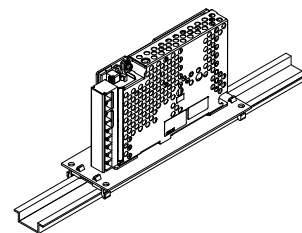


**KEPCO** An ISO 9001 Company.

**KIT  
DIN RTW  
-50VL**

## DIN-RAIL MOUNTING KIT FOR RTW-50VL

**DESCRIPTION.** Kepco KIT, Model DIN RTW-50VL contains a mounting plate and two clips and associated hardware used to install RTW 50W power supplies on a DIN rail. The "VL" suffix is for mounting vertically along the long dimension (length) as shown in Figure 1. Out-line dimensions are shown in Figure 4.



3044453

FIGURE 1. VL SUFFIX ORIENTATION

TABLE 1. COMPONENTS SUPPLIED

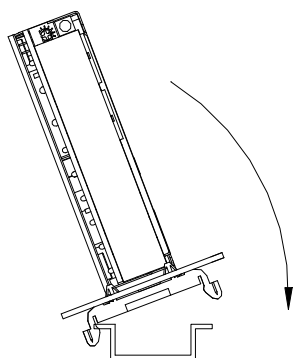
KIT MODEL NO.	MOUNTING PLATE (QTY 1) PART NO.	CLIP (QTY 2) PART NO.	SCREW (QTY 2) PART NO.	WASHER, LOCK (QTY 2) PART NO.
DIN RTW-50VL	189-0941	108-0365	501-0017 (M3 X 5 ST, PHPH)	103-0014 (#4, INT.)

**INSTALLING KIT.** Attach the mounting plate to the power supply using the hardware supplied (see Figure 3). Then snap the clips into place as shown in Figure 3.

**INSTALLING POWER SUPPLY ON DIN RAIL.** To mount the power supply on the rail insert one end of both clips under one edge of the rail, then snap the other end of the two clips into place (see Figure 2A). If the DIN rail is mounted on a flat surface, the DIN rail must be raised at least 0.03 in. above flat surface to avoid interference during installation/removal.

**REMOVING POWER SUPPLY FROM DIN RAIL.** While grasping the power supply with one hand, use a screwdriver to apply leverage towards the left as shown in Figure 2B to disengage each clip from the rail. Where mounting clips are close together, it may be necessary to apply leverage with two screwdrivers simultaneously.

### A — INSTALLATION



3044458

### B — REMOVAL

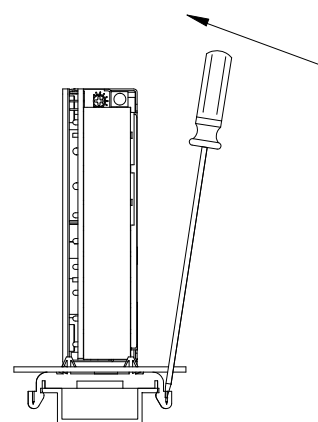
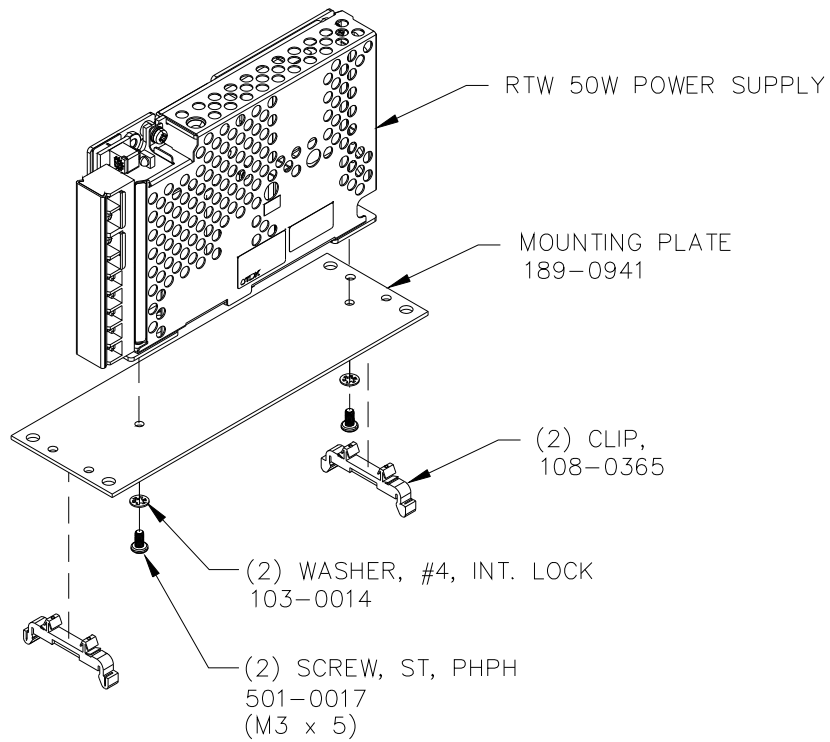


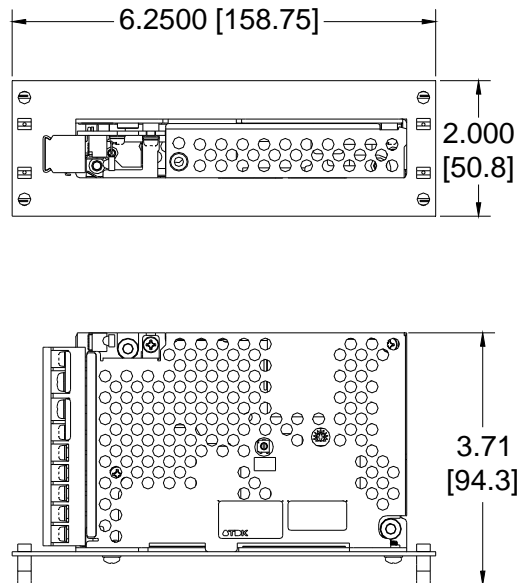
FIGURE 2. INSTALLATION AND REMOVAL OF POWER SUPPLY FROM DIN RAIL

KEPCO, INC. ● 131-38 SANFORD AVENUE ● FLUSHING, NY. 11355 U.S.A. ● TEL (718) 461-7000 ● FAX (718) 767-1102  
www.kepcopower.com ● email: hq@kepcopower.com



3044459

**FIGURE 3. INSTALLATION OF KIT ON POWER SUPPLY**



3044460

**FIGURE 4. POWER SUPPLY WITH KIT INSTALLED, OUTLINE DIMENSIONS**