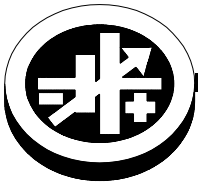


INSTRUCTION SHEET



KEPCO An ISO 9001 Company.

**MA
FAW/AK
-75/100V**

MOUNTING ADAPTER FAW/AK-75V, FAW/AK-100V

DESCRIPTION. The Model MA FAW/AK-75V is for 75W AK power supplies and Model MA FAW/AK-100V is for 100W AK power supplies. Each Mounting Adapter includes an adapter plate and mounting screws that allow a vertically-mounted 75W or 100W AK power supply to be easily substituted for a vertically-mounted 100W FAW power supply. Note that some AK dimensions may exceed corresponding FAW dimensions; verify proper fit prior to installation. Mount the adapter plate to the AK power supply using the screws and spacers provided (see Figure 1), then install the adapter plate in place of the FAW power supply using the screws previously used to mount the FAW power supply.

NOTES:

1. MOUNT ADAPTER PLATE TO POWER SUPPLY AT HOLES "A" USING THREE SPACERS P/N 104-0312, AND THREE SCREWS P/N 101-0487.
2. REMOVE FAW POWER SUPPLY AND SAVE MOUNTING SCREWS, THEN INSTALL ADAPTER PLATE WITH AK POWER SUPPLY ATTACHED AT HOLES "B" USING MOUNTING SCREWS SAVED. (MOUNTING SCREWS ARE M4, LENGTH NOT TO EXCEED 8MM.)

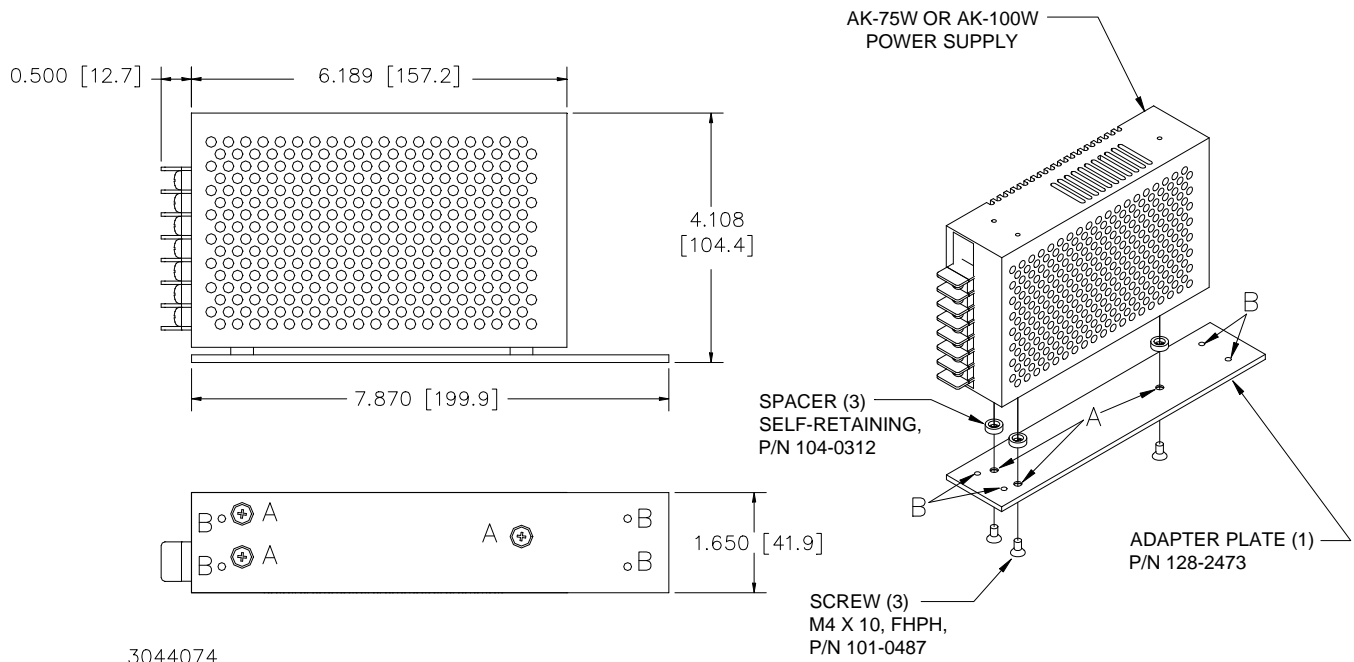


FIGURE 1. ADAPTER PLATE INSTALLATION