

# INSTRUCTION MANUAL

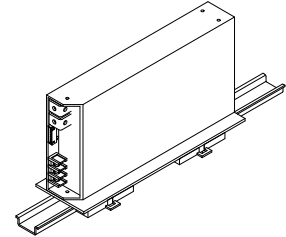


**KEPCO** An ISO 9001 Company.

**KIT  
DIN AE  
-800VL**

## DIN-RAIL MOUNTING KIT FOR SERIES AE-800VL

**DESCRIPTION.** Kepco KIT, Model DIN AE-800VL contains two mounting clips and associated hardware used to install AE-800 Series power supplies on a DIN rail. The "VL" suffix is for mounting vertically along the long dimension (length) as shown in Figure 1. Outline dimensions are shown in Figure 4.



3043944

**FIGURE 1. VL SUFFIX ORIENTATION**

**TABLE 1. COMPONENTS SUPPLIED**

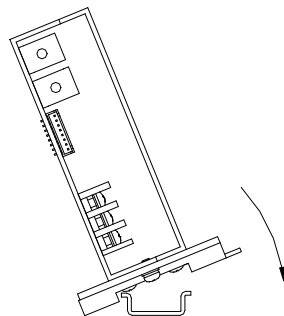
KIT MODEL NO.	MOUNTING PLATE (QTY 1) PART NO.	CLIP (QTY 2) PART NO.	SCREW, SEMS (QTY 3) PART NO.	SCREW (QTY 8) PART NO.
DIN AE-800VL	128-2448	108-0371	501-0800 (M4 X 6 PHPH)	101-0487 (M4 X 10 FHPH)

**INSTALLING KIT.** Attach the mounting clips to the power supply using the hardware supplied (see Figure 3). The clips may be mounted with the release lever on either side to facilitate removal.

**INSTALLING POWER SUPPLY ON DIN RAIL.** To mount the power supply on the rail insert one end of both clips under one edge of the rail, then snap the other end of the two clips into place (see Figure 2A).

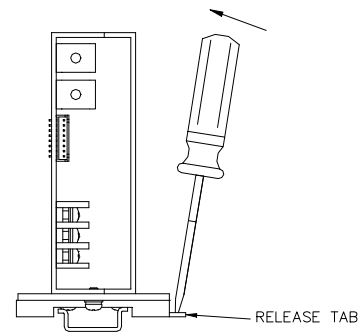
**REMOVING POWER SUPPLY FROM DIN RAIL.** While grasping the power supply with one hand, use a screwdriver to apply leverage towards the left as shown in Figure 2B to disengage each clip from the rail. Where mounting clips are close together, it may be necessary to apply leverage with two screwdrivers simultaneously.

### A — INSTALLATION



3043945

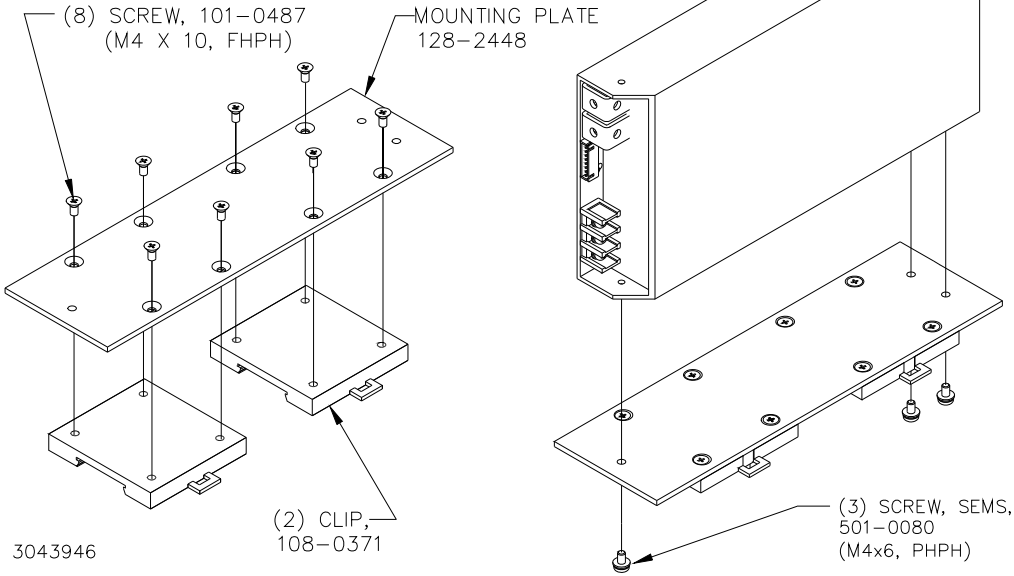
### B — REMOVAL



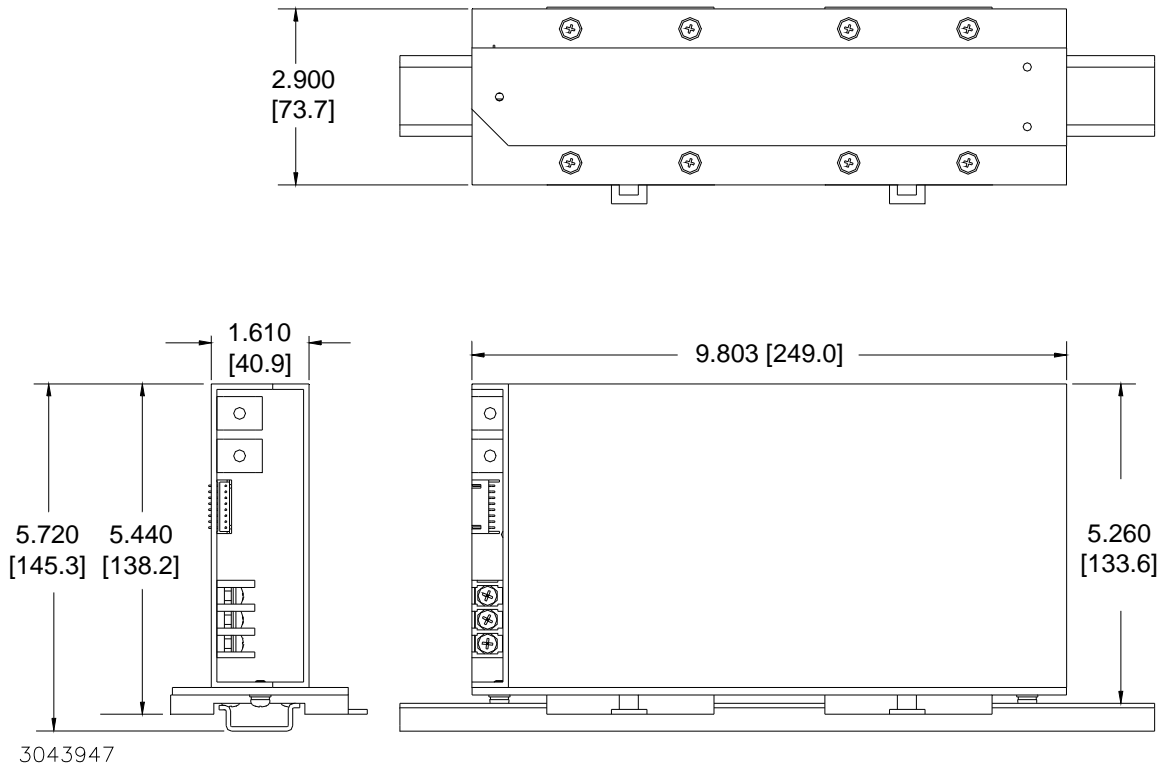
**FIGURE 2. INSTALLATION AND REMOVAL OF POWER SUPPLY FROM DIN RAIL**

KEPCO, INC. ● 131-38 SANFORD AVENUE ● FLUSHING, NY. 11355 U.S.A. ● TEL (718) 461-7000 ● FAX (718) 767-1102  
<http://www.kepcopower.com> ● email: [hq@kepcopower.com](mailto:hq@kepcopower.com)

FIRST ASSEMBLE TWO MOUNTING CLIPS P/N 108-0371 TO MOUNTING PLATE 128-2448 USING EIGHT SCREWS P/N 101-0487. THEN INSTALL MOUNTING PLATE WITH CLIPS ON POWER SUPPLY USING THREE SEMS SCREW P/N 101-0463.



**FIGURE 3. INSTALLATION OF KIT ON POWER SUPPLY**



**FIGURE 4. POWER SUPPLY WITH KIT INSTALLED, OUTLINE DIMENSIONS**