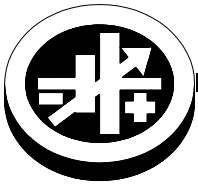


QUICK START GUIDE



KEPCO An ISO 9001 Company.

KDN
Series



SINGLE OUTPUT 24V DIN RAIL POWER SUPPLIES

I — INTRODUCTION

SCOPE OF MANUAL. This manual contains instructions for installation and operation of the Kepco KDN Series of RoHS (Reduction of Hazardous Substances) compliant 24V DIN Rail Power Supplies. All power supply features plus full specifications are listed in the KDN Series Operator Manual that can be downloaded from the Kepco web site at www.kepcopower.com/support/opmanls.htm#kdn

DESCRIPTION. The Kepco KDN Series of 24V DIN Rail Power Supplies come in three sizes rated at 5A,

10A and 20A (see Figure 1). Power Factor Correction (PFC) is included in all models.

Units may be operated with a nominal 100V a-c to 240V a-c (input voltage range 90 to 264 Va-c), 50-60 Hz (input frequency range 47-63Hz). Overvoltage and overcurrent protection is provided. Current limiting with automatic recovery from short circuit is featured. Units are convection cooled.

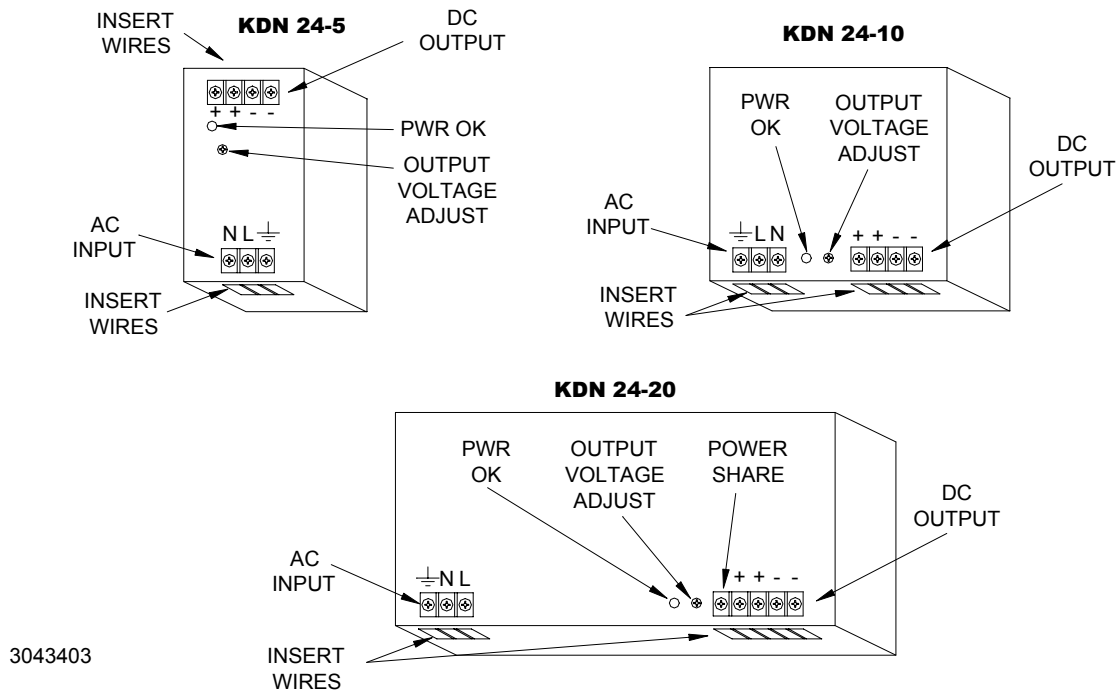


FIGURE 1. COMPONENT LOCATIONS

II — INSTALLATION/REMOVAL

MOUNTING ON DIN RAIL. The KDN Series is designed to mount on a 35mm DIN rail only as shown in Figure 2 with ventilation holes at top and bottom. Install by inserting one edge of mounting bracket on DIN rail as shown, then press down to snap onto DIN rail.

REMOVAL. Remove by pulling hook down to release mounting bracket from DIN rail, then swing power supply away from DIN rail.

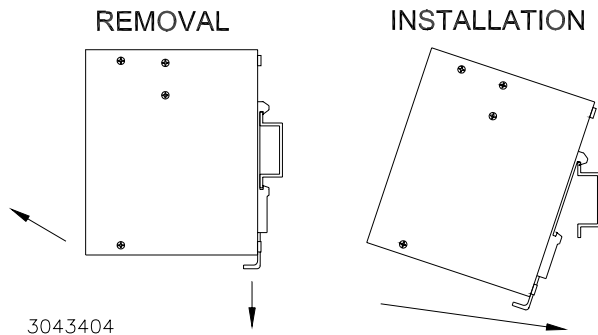
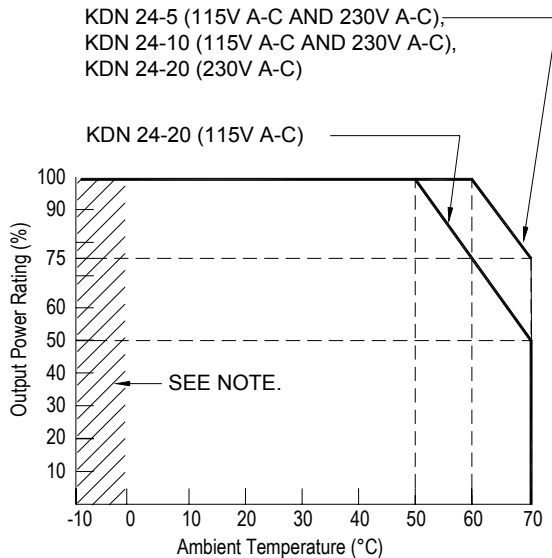


FIGURE 2. POWER SUPPLY MOUNTING



NOTE: Operation from -10°C to 0°C is as follows:
 KDN 24-5: Yes, normal operation
 KDN 24-10: No
 KDN 24-20: Start up at -10°C, nominal line voltage only.

3043405

FIGURE 3. OUTPUT POWER VS. TEMPERATURE

CONNECTIONS. Connect the load to the power supply d-c output + + and - - terminals shown in Figure 1. The AC input power is applied via the terminal block. Make sure to connect the AC input Neutral, Line and Ground wires to the respective terminals of the terminal block (see Figure 1). Wire strip length for both a-c and d-c connector is approximately 1/4 inch (6 - 7mm). See Figure 4 for connecting multiple loads. The Power Share terminal (KDN 24-20 only) is used only for parallel operation (see KDN Series Operator Manual).

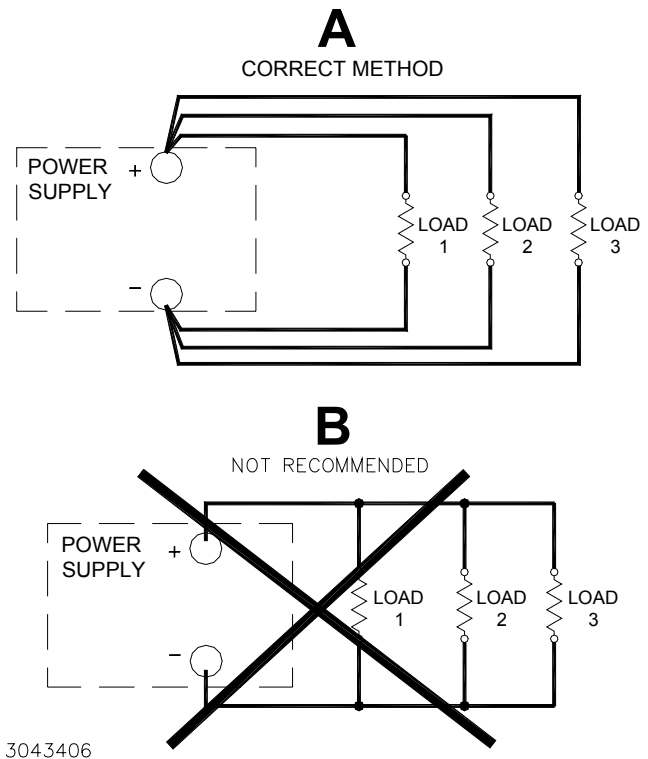


FIGURE 4. CONNECTING MULTIPLE LOADS

III — OPERATION

The Output Voltage Adjust trimmer (see Figure 1) allows adjustment of output voltage from 23.5 to 28V d-c. When output voltage is within adjustment range, the green PWR OK LED is on. See Figure 3 for temperature derating. The KDN 24-20 model may be configured to operate in parallel; see Operator Manual listed on page 1 for details.