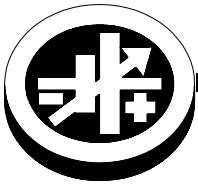


INSTRUCTION SHEET



KEPCO An ISO 9001 Company.

**MA
RAX/RKW
300H**

MOUNTING ADAPTER RAX/RKW 300H

DESCRIPTION. The RoHS-compliant Model MA RAX/RKW 300H Mounting Adapter includes an adapter plate and mounting screws that allow a 300W RKW power supply to be easily substituted for a horizontally-mounted 300W RAX power supply. Mount the adapter plate to the RKW power supply using the screws provided (see Figure 1), then install the adapter plate in place of the RAX power supply using the screws that previously secured the RAX power supply.

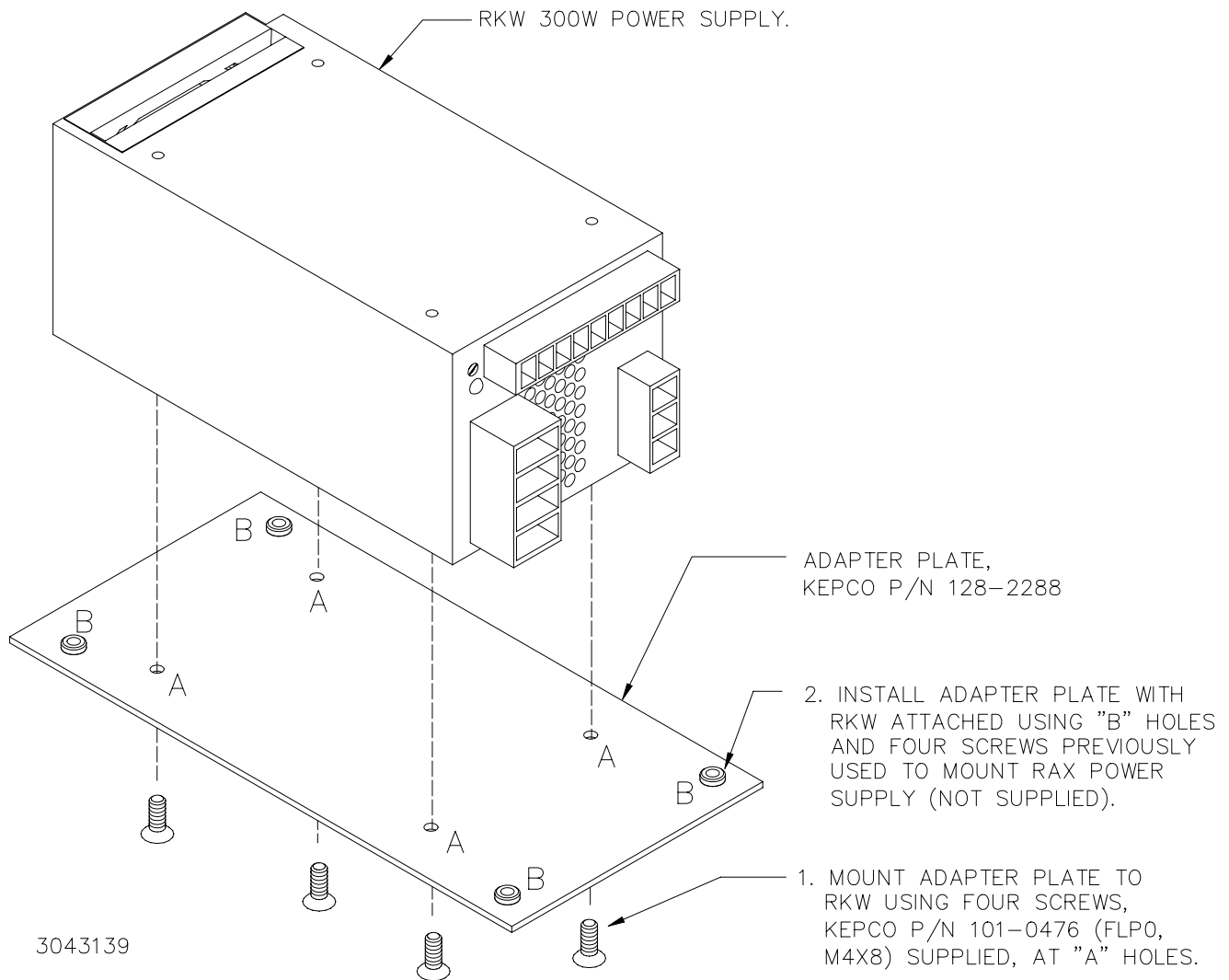


FIGURE 1. ADAPTER PLATE INSTALLATION

KEPCO, INC. ● 131-38 SANFORD AVENUE ● FLUSHING, NY. 11352 U.S.A. ● TEL (718) 461-7000 ● FAX (718) 767-1102
<http://www.kepcopower.com> ● email: hq@kepcopower.com