

# INSTRUCTION MANUAL



**KEPCO** An ISO 9001 Company.

**KIT  
DIN RTW  
-150L**

## DIN-RAIL MOUNTING KIT FOR SERIES RTW 150W

**DESCRIPTION.** Kepco KIT, Model DIN RTW-150L contains a mounting plate, two mounting clips and associated hardware used to install RTW 150 Watt Series power supplies on a DIN rail. This kit applies only to RTW models with the C Suffix (e.g., RTW 5-30KC) indicating covers are installed. The -150 suffix is for the 150 Watt Series. The "L" suffix is for mounting along the long dimension (length) as shown in Figure 1. Outline dimensions are shown in Figure 4

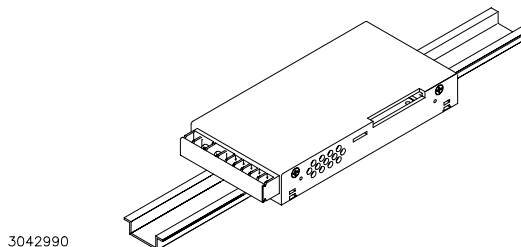


FIGURE 1. L SUFFIX ORIENTATION

TABLE 1. COMPONENTS SUPPLIED

KIT MODEL NO.	MOUNTING PLATE PART NO.	CLIP (QTY 2) PART NO.	SCREW (QTY 2) PART NO.	SCREW (QTY 4) PART NO.	WASHER (QTY 8) PART NO.	WASHER (QTY 4) PART NO.	NUT (QTY 4) PART NO.
DIN RTW-150L	128-2285	108-0362	101-0486 (M4 X 6 FLP2)	101-0408 (6-32 x 5/16", FLPO)	103-0028 (Flat, No.6)	103-0015 (Int. tooth, No. 6)	102-0004 (Hex, 1/4" x 6-32)

### INSTALLATION

**1. INSTALL MOUNTING PLATE.** Attach the mounting plate to the power supply using two screws, P/N 101-0468 (see Figure 3).

**2. INSTALL CLIPS.** First slide each mounting clip onto to the mounting plate, then secure in place using the hardware supplied (see Figure 3). The clips may be mounted with the release lever on either side to facilitate removal.

**3. INSTALL POWER SUPPLY ON DIN RAIL.** To mount the power supply on the rail insert one end of both clamps under one edge of the rail, then snap the other end of the two clips into place (see Figure 2A).

**REMOVING POWER SUPPLY FROM DIN RAIL.** While grasping the power supply with one hand, use a screwdriver to apply leverage towards the left as shown in Figure 2B to disengage each clip from the rail. Where mounting clips are close together, it may be necessary to apply leverage with two screwdrivers simultaneously.

#### A — INSTALLATION

#### B — REMOVAL

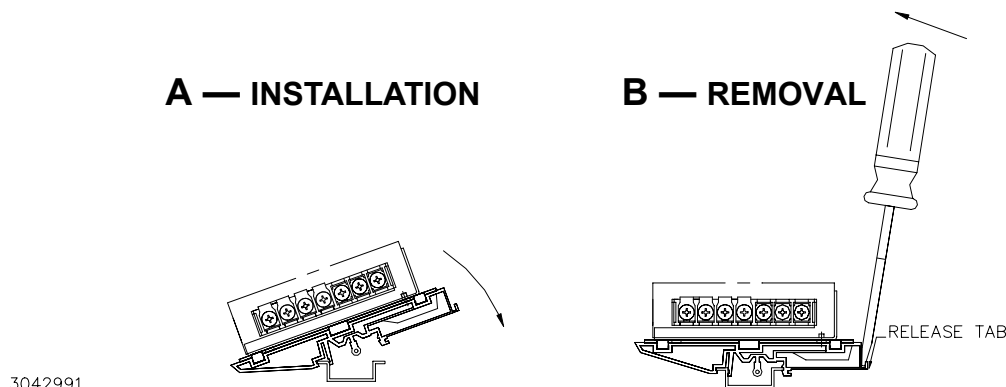
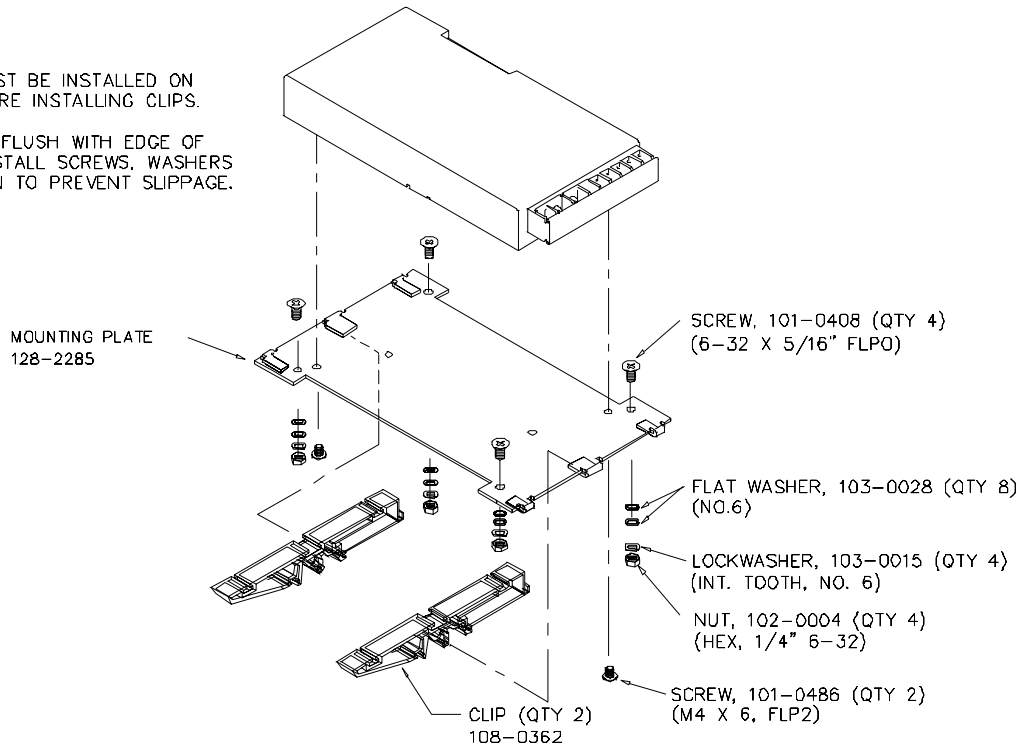


FIGURE 2. INSTALLATION AND REMOVAL OF POWER SUPPLY FROM DIN RAIL

KEPCO, INC. ● 131-38 SANFORD AVENUE ● FLUSHING, NY. 11352 U.S.A. ● TEL (718) 461-7000 ● FAX (718) 767-1102  
<http://www.kepcopower.com> ● email: [hq@kepcopower.com](mailto:hq@kepcopower.com)

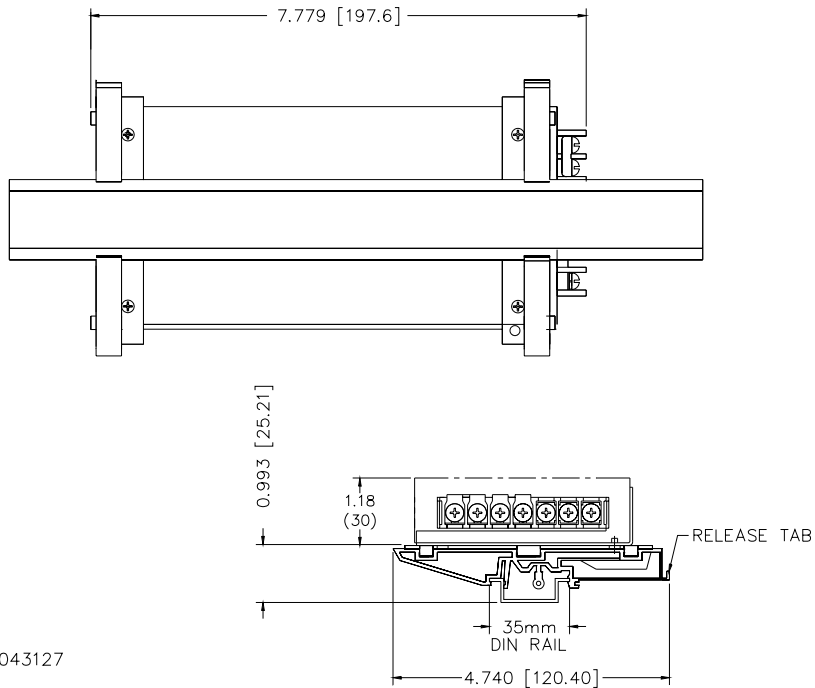
MOUNTING PLATE MUST BE INSTALLED ON POWER SUPPLY BEFORE INSTALLING CLIPS.

AFTER EACH CLIP IS FLUSH WITH EDGE OF MOUNTING PLATE, INSTALL SCREWS, WASHERS AND NUTS AS SHOWN TO PREVENT SLIPPAGE.



3043126

**FIGURE 3. INSTALLATION OF KIT ON RTW POWER SUPPLY**



3043127

**FIGURE 4. RTW 150W POWER SUPPLY WITH KIT INSTALLED, OUTLINE DIMENSIONS**