

INSTRUCTION MANUAL

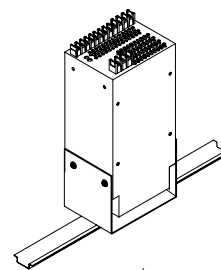


KEPCO An ISO 9001 Company.

**KIT
DIN RKE-P**

DIN-RAIL MOUNTING KIT FOR SERIES RKE

DESCRIPTION. Kepco Kit, Model DIN RKE-P, contains a preassembled mounting plate and associated hardware used to install RKE 1500W Series power supplies on a DIN rail. The "P" suffix is for mounting perpendicular to the long dimension (length) as shown in Figure 1. Outline dimensions are shown in Figure 4.



3043058

FIGURE 1. P SUFFIX ORIENTATION

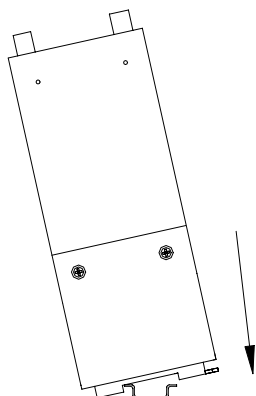
INSTALLING KIT. Attach the preassembled mounting plate to the power supply using the hardware supplied (see Figure 3). The plate may be mounted with the release lever on either side to facilitate removal.

INSTALLING POWER SUPPLY ON DIN RAIL. To mount the power supply on the rail insert one end of the clip under one edge of the rail, then snap the other end of the clip into place (see Figure 2A).

NOTE: For applications where the installed power supply may be subject to unusual levels of shock or vibration, the use of two DIN rail end stops (Kepco P/N 108-0367) is recommended. After installing the power supply on the rail, the end stops are installed by clearing the DIN rail of other components and sliding the end stops over the rail. When the end stops are secure against the power supply, tighten the two integral screws of each end stop.

REMOVING POWER SUPPLY FROM DIN RAIL. While grasping the power supply with one hand, use a screwdriver to apply leverage towards the left as shown in Figure 2B to disengage the clip from the rail.

A - INSTALLATION



3043059

B - REMOVAL

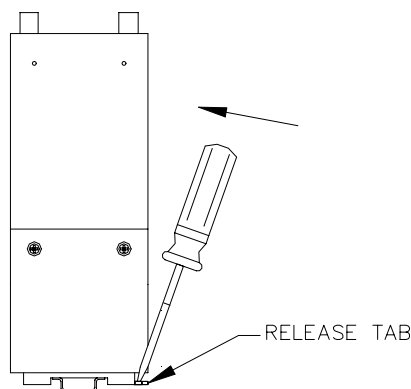
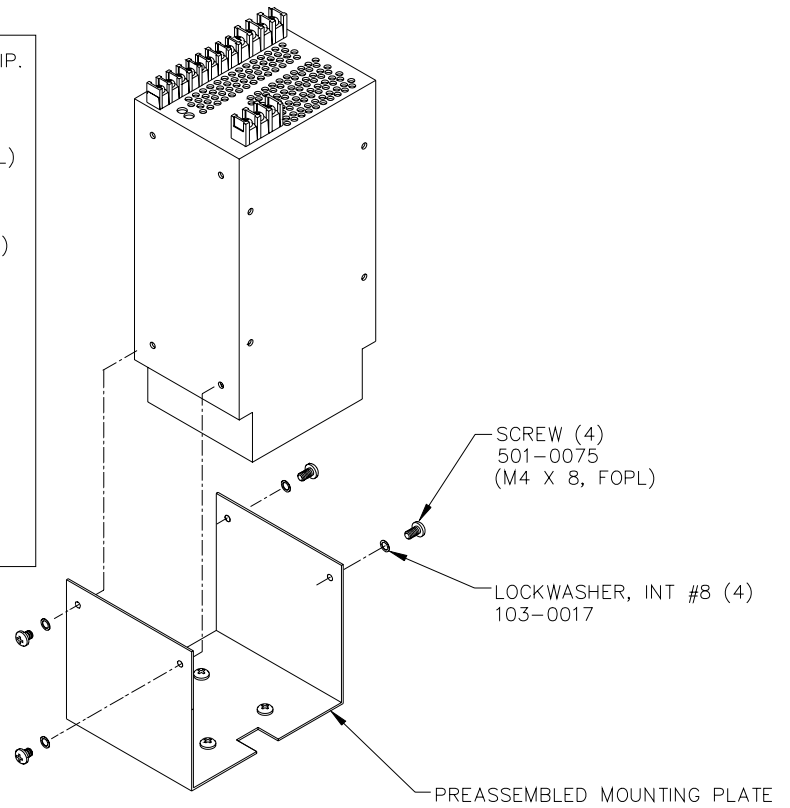
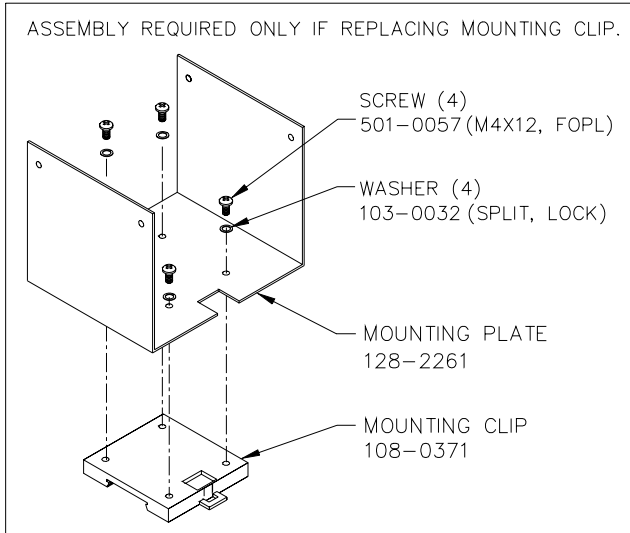


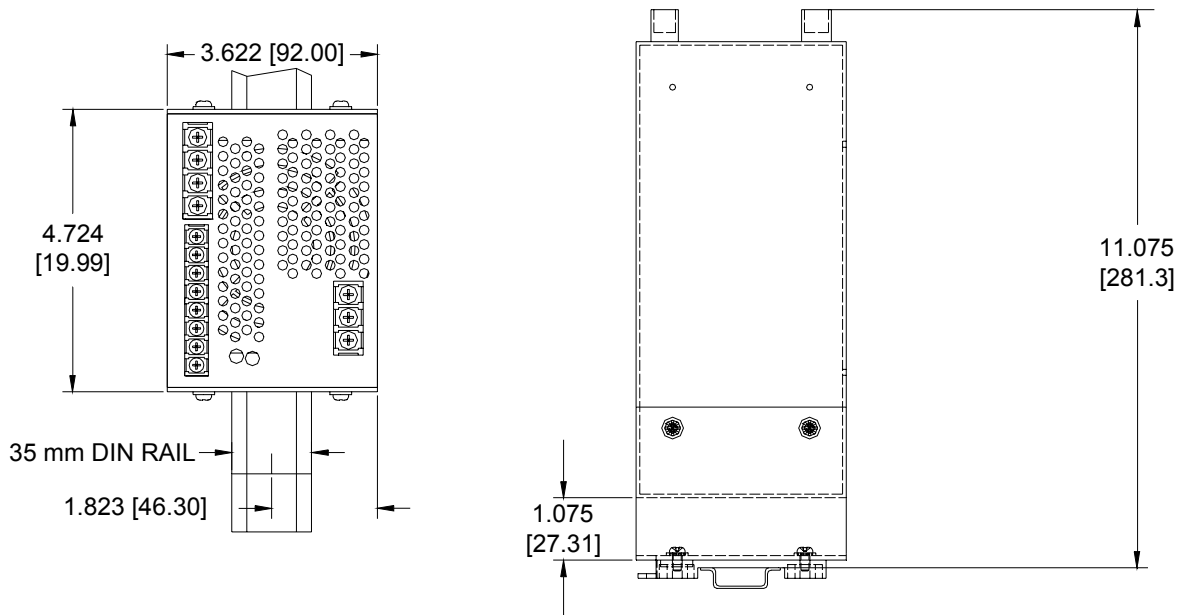
FIGURE 2. INSTALLATION AND REMOVAL OF POWER SUPPLY FROM DIN RAIL

KEPCO, INC. ● 131-38 SANFORD AVENUE ● FLUSHING, NY. 11352 U.S.A. ● TEL (718) 461-7000 ● FAX (718) 767-1102
<http://www.kepcopower.com> ● email: hq@kepcopower.com



3043060

FIGURE 3. INSTALLATION OF KIT ON RKE POWER SUPPLY



3043061

NOTE: DIMENSIONS ARE IN INCHES. DIMENSIONS IN BRACKETS ARE IN MILLIMETERS.

FIGURE 4. RKE POWER SUPPLY WITH KIT INSTALLED, OUTLINE DIMENSIONS