

INSTRUCTION MANUAL

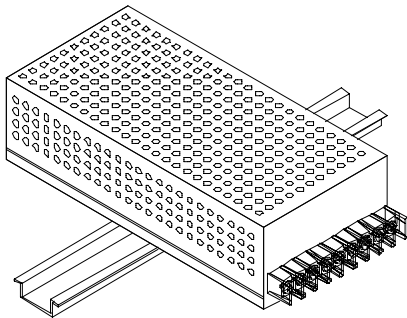


KEPCO An ISO 9001 Company.

KIT
DIN RKW
-30L, -30S,
-50L, -50S

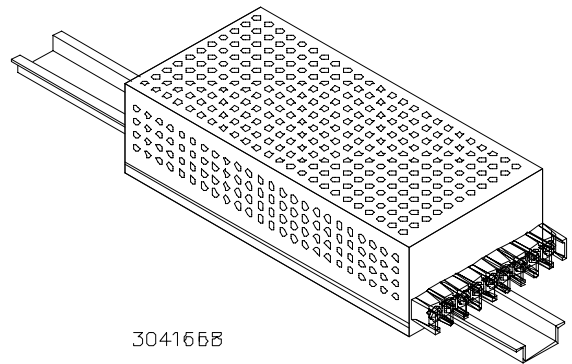
DIN-RAIL MOUNTING KIT FOR SERIES RKW 30W, 50W

DESCRIPTION. Kepco KITS, Models DIN RKW-30L, -30S, 50L, and -50S each contain a cover, a mounting plate with two clips and associated hardware used to install RKW Open Fram Series power supplies on a DIN rail. The -30 suffix is for the 30 Watt Series, and -50 is for the 50 Watt Series. The “S” suffix is for mounting the power supply along the short dimension (width) as shown in Figure 1, the “L” suffix is for mounting along the long dimension (length) as shown in Figure 2.



304166B

FIGURE 1. S SUFFIX ORIENTATION



304166B

FIGURE 2. L SUFFIX ORIENTATION

TABLE 1. COMPONENTS SUPPLIED

KIT MODEL NO.	COVER PART NO.	MOUNTING PLATE PART NO.	CLIP (QTY 2) PART NO.	SCREW (QTY 2) PART NO.	WASHER (QTY 2) PART NO.
DIN RKW-30L	CA 33	189-0797	108-0365	101-0434 (M3 X 8, RHPH)	103-0014 (NO. 4, INT. TOOTH)
DIN RKW-30S	CA 33	189-0796	108-0365	101-0434 (M3 X 8, RHPH)	103-0014 (NO. 4, INT. TOOTH)
DIN RKW-50L	CA 34	189-0794	108-0365	101-0434 (M3 X 8, RHPH)	103-0014 (NO. 4, INT. TOOTH)
DIN RKW-50S	CA 34	189-0795	108-0365	101-0434 (M3 X 8, RHPH)	103-0014 (NO. 4, INT. TOOTH)

INSTALLATION

1. **INSTALL COVER.** Attach the cover to the power supply per instruction manual supplied with the cover.
2. **INSTALL MOUNTING PLATE.** Attach the mounting plate to the power supply using the hardware supplied (see Figure 3).

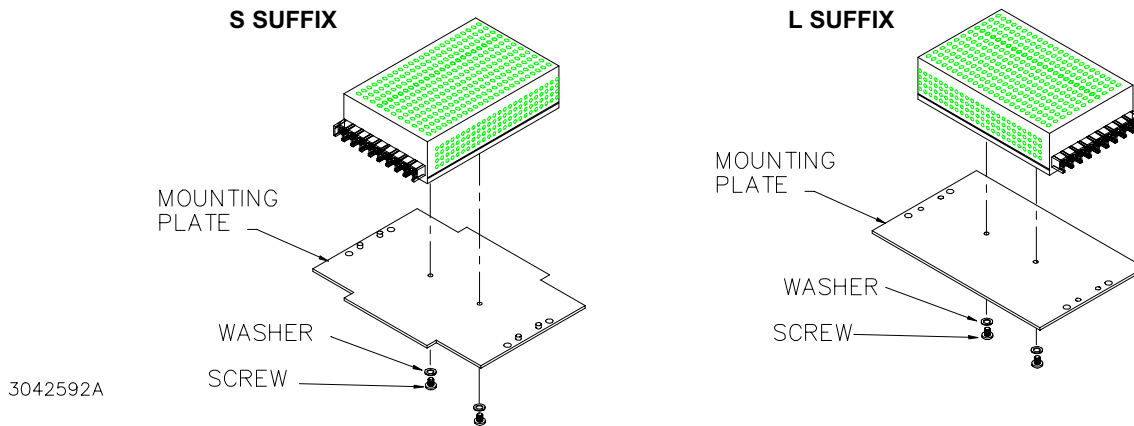


FIGURE 3. INSTALLING MOUNTING PLATE ON POWER SUPPLY

3. **INSTALL CLIPS.** Snap the two clips into the mounting plate holes (see Figure 4).

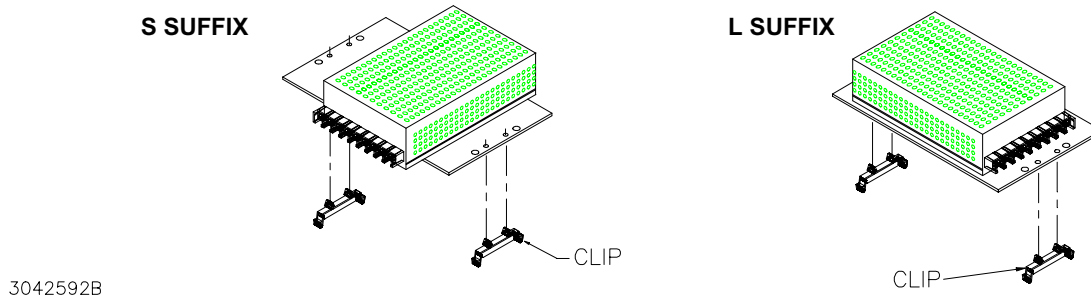


FIGURE 4. INSTALLING CLIPS ON MOUNTING PLATE

4. **INSTALL POWER SUPPLY ON DIN RAIL.** To mount the power supply on the rail insert one end of both clips under one edge of the rail, then snap the other end of the two clips into place (see Figure 5A).

REMOVING POWER SUPPLY FROM DIN RAIL. While grasping the power supply with one hand, insert a screwdriver into the access holes provided and apply leverage towards the left as shown in Figure 5B to disengage each clip from the rail. Where mounting clips are close together, it may be necessary to apply leverage with two screwdrivers simultaneously.

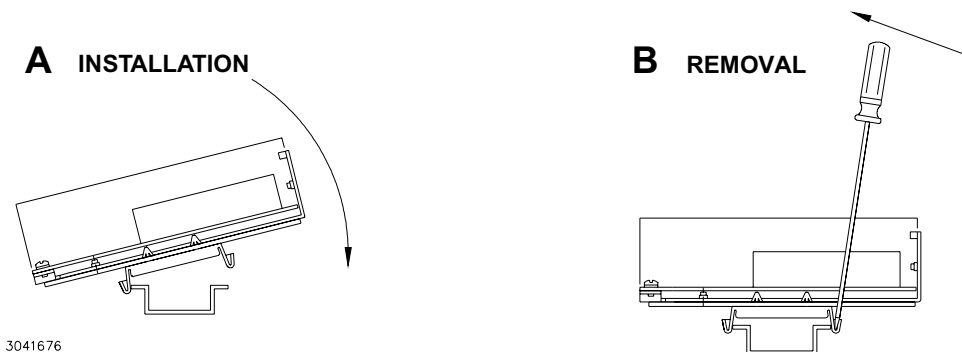


FIGURE 5. INSTALLATION AND REMOVAL OF POWER SUPPLY FROM DIN RAIL