

# INSTRUCTION MANUAL



**KEPCO** An ISO 9001 Company.

**KIT  
DIN HSM-L**

## DIN-RAIL MOUNTING KIT FOR SERIES HSM

**DESCRIPTION.** Kepco Kit, Model DIN HSM-L contains a protective cover and a preassembled mounting plate and associated hardware used to install HSM 1000 and 1500 Watt Series power supplies on a DIN rail. The "L" suffix is for mounting perpendicular to the long dimension (length) as shown in Figure 1. Outline dimensions are shown in Figure 5.

**1. INSTALLING KIT.** Attach the preassembled mounting plate to the power supply using the hardware supplied (see Figure 4).

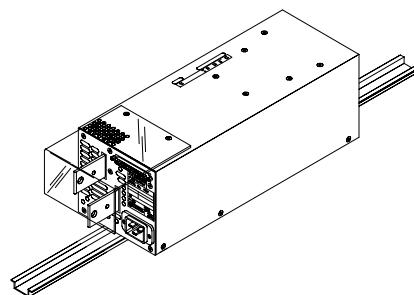
**2. INSTALLING POWER SUPPLY ON DIN RAIL.** To mount the power supply on the rail insert one end of both clips under one edge of the rail, then snap the other end of the clips into place (see Figure 3A).

**NOTE:** For applications where the installed power supply may be subject to unusual levels of shock or vibration, or where the power supply is oriented such that it may slide down the rail due to gravity, the use of two DIN rail end stops (Kepco P/N 108-0367) is recommended. After installing the power supply on the rail, the end stops are installed by clearing the DIN rail of other components and sliding the end stops over the rail. When the end stops are secure against the power supply, tighten the two integral screws of each end stop.

**3. WIRE POWER SUPPLY.** Refer to HSM manual.

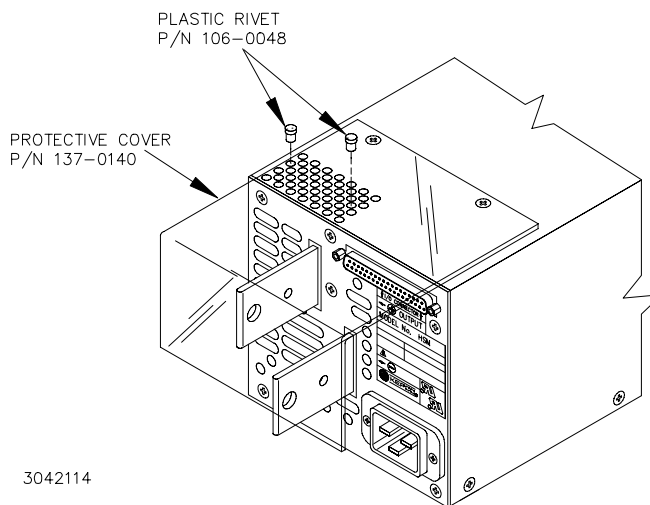
**4. INSTALLING PROTECTIVE COVER.** Peel off the paper coating protecting the cover. Attach the protective cover to the power supply using two plastic rivets inserted in the ventilation holes at either the top (see Figure 2) or the side.

**REMOVING POWER SUPPLY FROM DIN RAIL.** While grasping the power supply with one hand, use a screwdriver to apply leverage towards the left as shown in Figure 3B to disengage both clips from the rail.



3042113

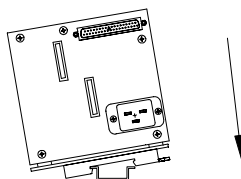
**FIGURE 1. L SUFFIX ORIENTATION**



3042114

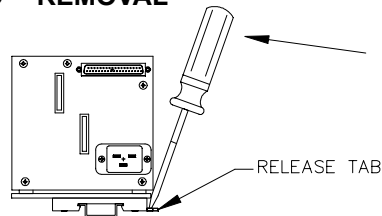
**FIGURE 2. INSTALL PROTECTIVE COVER**

### A - INSTALLATION



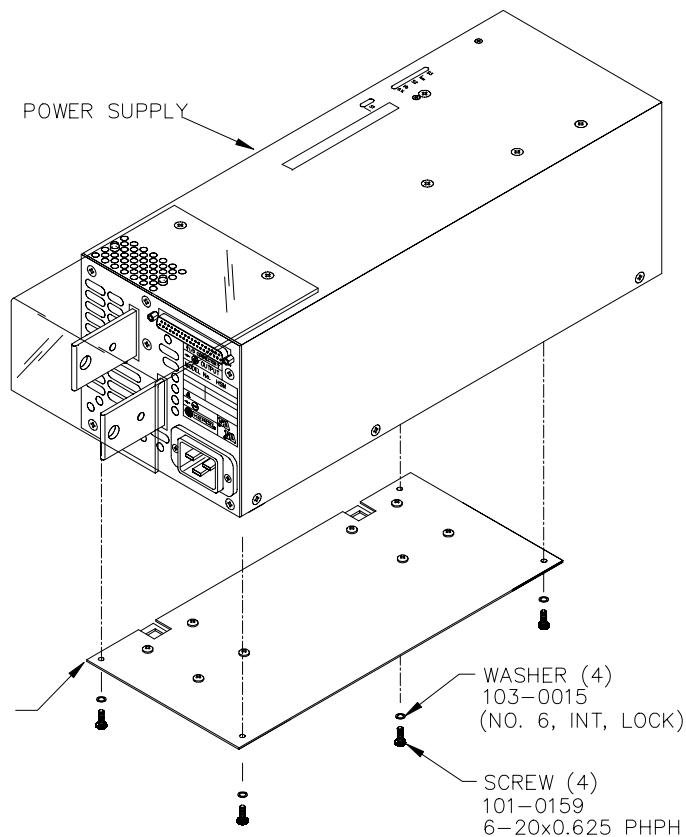
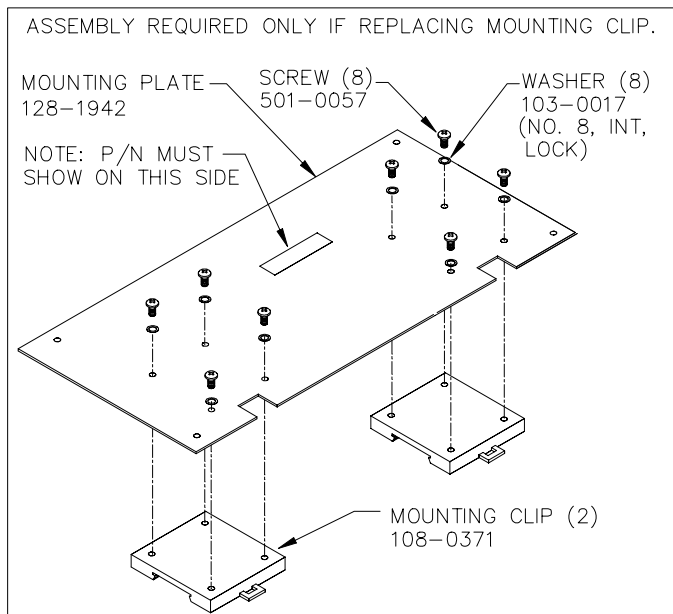
3042115

### B - REMOVAL



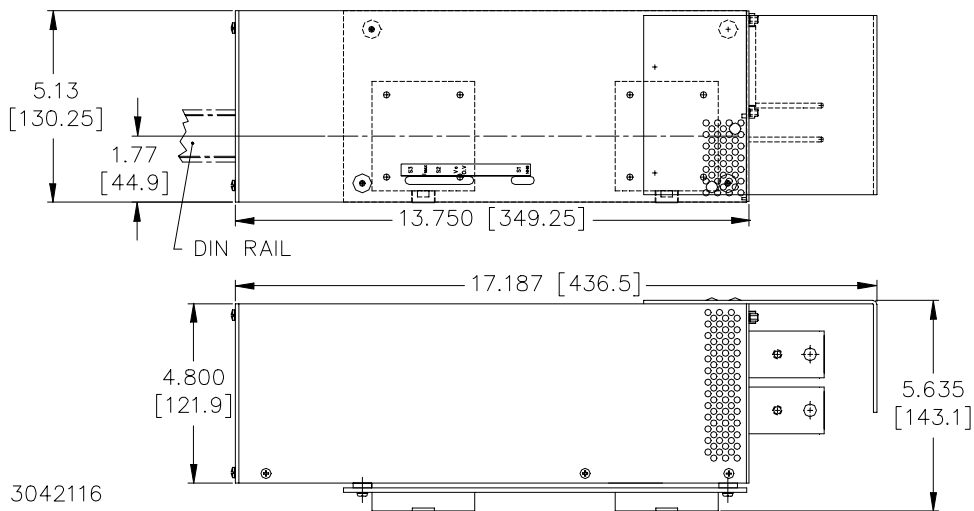
**FIGURE 3. INSTALLATION AND REMOVAL OF POWER SUPPLY FROM DIN RAIL**

KEPCO, INC. ● 131-38 SANFORD AVENUE ● FLUSHING, NY. 11352 U.S.A. ● TEL (718) 461-7000 ● FAX (718) 767-1102  
<http://www.kepcopower.com> ● email: [hq@kepcopower.com](mailto:hq@kepcopower.com)



3042112

**FIGURE 4. INSTALLATION OF KIT ON HSM POWER SUPPLY**



**FIGURE 5. HSM POWER SUPPLY WITH KIT INSTALLED, OUTLINE DIMENSIONS**