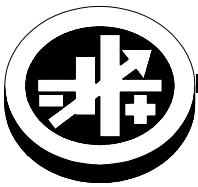


# INSTRUCTION SHEET



**KEPCO** An ISO 9001 Company.

**RFP 19-13**  
**RFP 19-23**

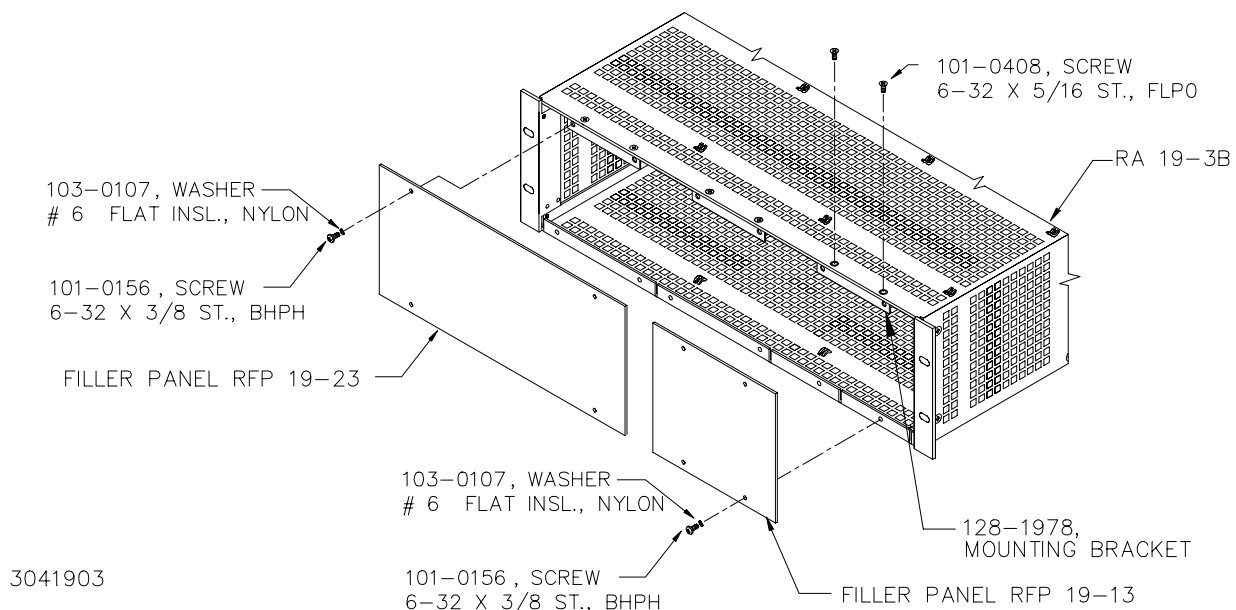
## INSTALLATION INSTRUCTIONS

### FILLER PANEL MODELS RFP 19-13, 19-23

Kepeco Filler Panels, Models RFP 19-13 and RFP 19-23 are to be used with RA 19-3B and RA 19-4B Rack Adapters. RFP 19-13 covers one unused 1/3 rack slot; RFP 19-23 covers two 1/3 rack slots. Table 1 lists the hardware supplied. First attach mounting bracket to rack adapter chassis, then attach filler panel to mounting bracket using hardware supplied.

**TABLE 1. ITEMS SUPPLIED**

ITEM	PART NUMBER	QUANTITY		USE
		RFP 19-13	RFP 19-23	
SCREW	101-0408	2	4	Attach mounting bracket P/N 128-1978 to rack adapter.
MOUNTING BRACKET	128-1978	1	2	Mount filler panel to rack adapter.
SCREW	101-0156	4	4	Attach filler panel to mounting bracket.
WASHER	103-0107	4	4	Attach filler panel to mounting bracket.



**FIGURE 1. FILLER PANEL INSTALLATION**

KEPCO, INC. ● 131-38 SANFORD AVENUE ● FLUSHING, NY. 11352 U.S.A. ● TEL (718) 461-7000 ● FAX (718) 767-1102  
<http://www.kepcopower.com> ● email: [hq@kepcopower.com](mailto:hq@kepcopower.com)