

# INSTRUCTION MANUAL



**KEPCO** An ISO 9001 Company.

**KIT  
DIN FAW  
-100S, 150S**

## DIN-RAIL MOUNTING KIT FOR SERIES FAW 100W, 150W

**DESCRIPTION.** Kepco KITS, Models DIN FAW-100S and -150S, each contain two preassembled mounting clips and associated hardware used to install FAW 100 and 150 Watt Series power supplies on a DIN rail. The -100 suffix is for the 100 Watt Series, and -150 for the 150 Watt Series. The "S" suffix is for mounting along the short dimension (width) as shown in Figure 1. Outline dimensions are shown in Figure 4

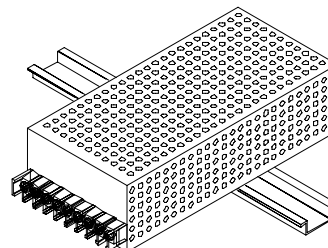


FIGURE 1. S SUFFIX ORIENTATION

TABLE 1. COMPONENTS SUPPLIED

KIT MODEL NO.	COVER PART NO.	MOUNTING PLATE PART NO.	CLIP (QTY 2) PART NO.	SCREW (QTY 4) PART NO.	WASHER (QTY 4) PART NO.
DIN FAW-100S	CA 27	128-1980	108-0362	101-0092 (4-40 X 0.312 BHPH)	103-0014 (NO. 4, INT. TOOTH)
DIN FAW-150S	CA 28	128-1980	108-0362	101-0092 (4-40 X 0.312 BHPH)	103-0014 (NO. 4, INT. TOOTH)

**INSTALL COVER.** Attach the cover to the power supply per instruction manual supplied with the cover.

**INSTALLING KIT.** Attach the preassembled mounting clips to the power supply using the hardware supplied (see Figure 3). The clips may be mounted with the release lever on either side to facilitate removal.

**INSTALLING POWER SUPPLY ON DIN RAIL.** To mount the power supply on the rail insert one end of both clamps under one edge of the rail, then snap the other end of the two clips into place (see Figure 2A).

**REMOVING POWER SUPPLY FROM DIN RAIL.** While grasping the power supply with one hand, use a screwdriver to apply leverage towards the left as shown in Figure 2B to disengage each clip from the rail. Where mounting clips are close together, it may be necessary to apply leverage with two screwdrivers simultaneously.

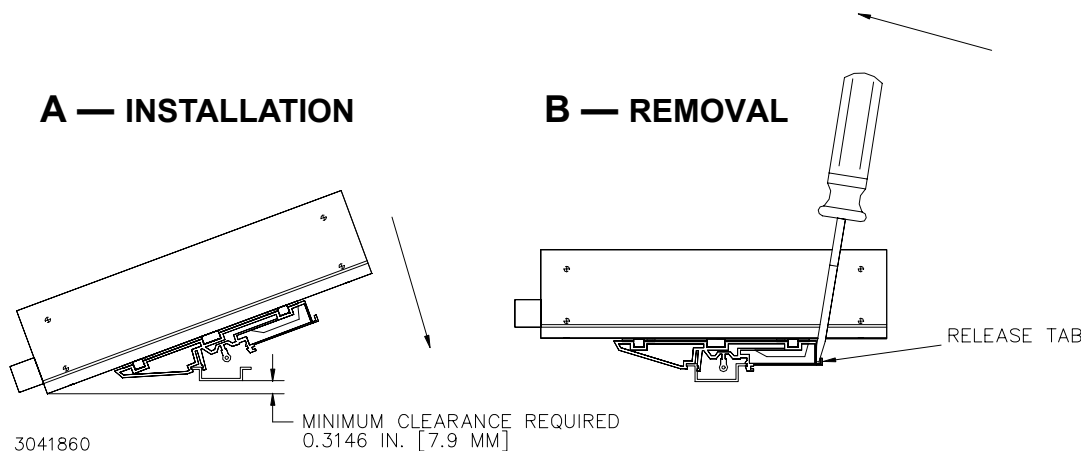
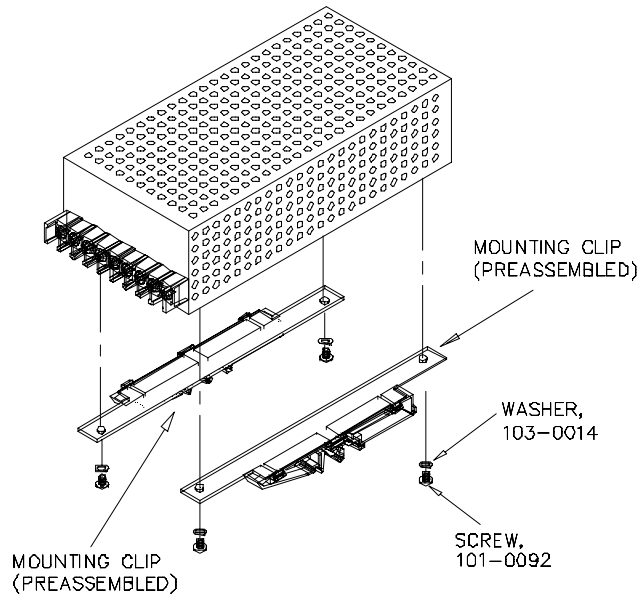
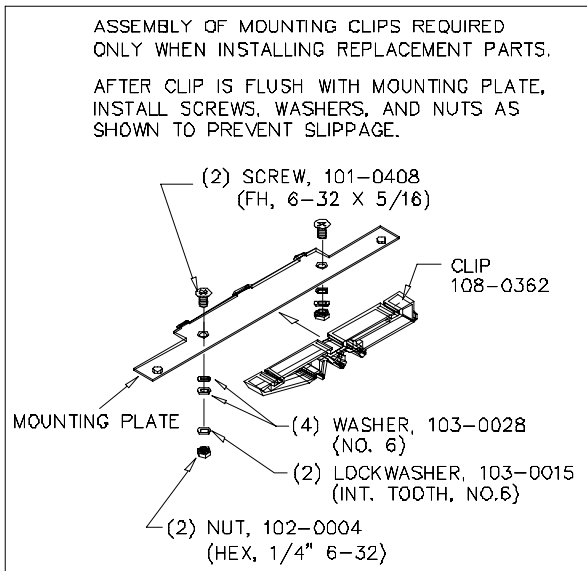


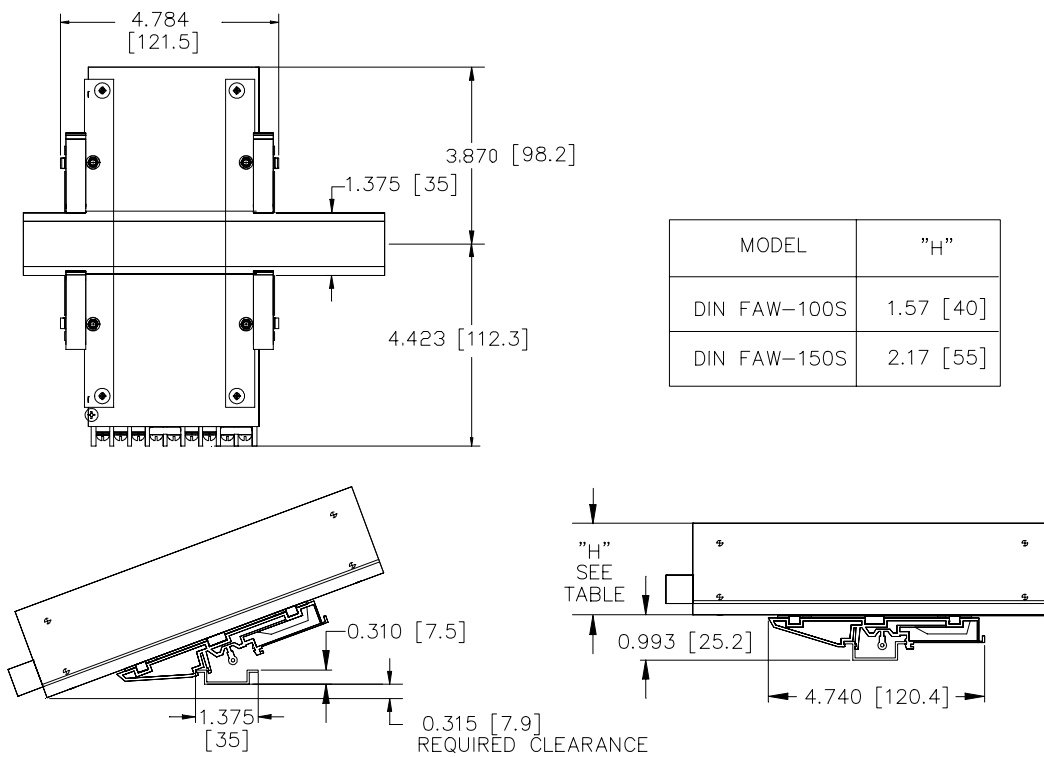
FIGURE 2. INSTALLATION AND REMOVAL OF POWER SUPPLY FROM DIN RAIL

KEPCO, INC. ● 131-38 SANFORD AVENUE ● FLUSHING, NY. 11352 U.S.A. ● TEL (718) 461-7000 ● FAX (718) 767-1102  
<http://www.kepcopower.com> ● email: [hq@kepcopower.com](mailto:hq@kepcopower.com)



3041861

**FIGURE 3. INSTALLATION OF KIT ON FAW POWER SUPPLY**



3041862

NOTE: DIMENSIONS ARE IN INCHES. DIMENSIONS IN BRACKETS ARE IN MILLIMETERS.

**FIGURE 4. FAW 100W, 150W POWER SUPPLY WITH KIT INSTALLED, OUTLINE DIMENSIONS**