

INSTRUCTION MANUAL

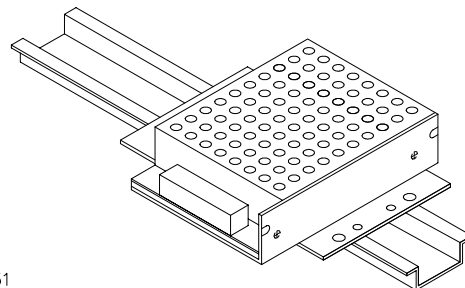


KEPCO An ISO 9001 Company.

**KIT
DIN FAK
-15S, -25S, -50S**

DIN-RAIL MOUNTING KIT FOR SERIES FAK 15W, 25W, 50W

DESCRIPTION. Kepco KITS, Models DIN FAK-15S, -25S, and -50S each contain a cover, mounting plate, two clips, and associated hardware (see Table 1) used to install FAK Series power supplies on a DIN rail. The -15 suffix is for the 15 Watt Series, the -25 for the 25 Watt Series and -50 for the 50 Watt Series. The "S" suffix is for mounting along the short dimension (length) as shown in Figure 1. Outline dimensions are shown in Figure 5.



3041831

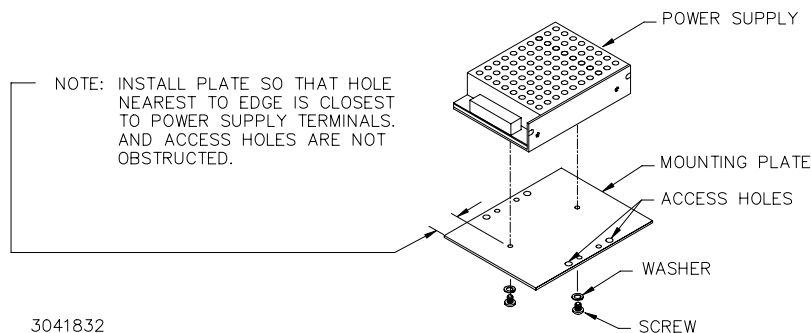
FIGURE 1. S SUFFIX ORIENTATION

TABLE 1. COMPONENTS SUPPLIED

KIT MODEL NO.	COVER PART NO.	MOUNTING PLATE PART NO.	CLIP (QTY 2) PART NO.	SCREW (QTY 2) PART NO.	WASHER (QTY 2) PART NO.
DIN FAK-15S	CA 21	189-0705	108-0365	101-0092 (4-40 X 0.312 BHPH)	103-0014 (NO. 4, INT. TOOTH)
DIN FAK-25S	CA 22	189-0693	108-0365	101-0092 (4-40 X 0.312 BHPH)	103-0014 (NO. 4, INT. TOOTH)
DIN FAK-50S	CA 23	189-0706	108-0365	101-0092 (4-40 X 0.312 BHPH)	103-0014 (NO. 4, INT. TOOTH)

INSTALLATION

- INSTALL COVER.** Attach the cover to the power supply per instruction manual supplied with the cover.
- INSTALL MOUNTING PLATE.** Attach the mounting plate to the power supply using the hardware supplied (see Figure 2). Install plate so that hole closest to edge is closest to power supply terminals; and access holes are not obstructed by power supply.



3041832

FIGURE 2. INSTALLING MOUNTING PLATE ON POWER SUPPLY

KEPCO, INC. ● 131-38 SANFORD AVENUE ● FLUSHING, NY. 11352 U.S.A. ● TEL (718) 461-7000 ● FAX (718) 767-1102
<http://www.kepcopower.com> ● email: hq@kepcopower.com

3. **INSTALL CLIPS.** Snap the two clips into the mounting plate holes (see Figure 3).

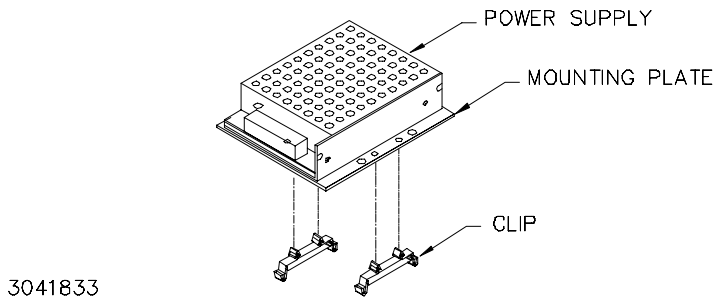


FIGURE 3. INSTALLING CLIPS ON MOUNTING PLATE

4. **INSTALL POWER SUPPLY ON DIN RAIL.** To mount the power supply on the rail insert one end of both clips under one edge of the rail, then snap the other end of the two clips into place (see Figure 4A).

REMOVING POWER SUPPLY FROM DIN RAIL. While grasping the power supply with one hand, Insert a screwdriver into the access holes provided and apply leverage towards the left as shown in Figure 4B to disengage each clip from the rail. Where mounting clips are close together, it may be necessary to apply leverage with two screwdrivers simultaneously.

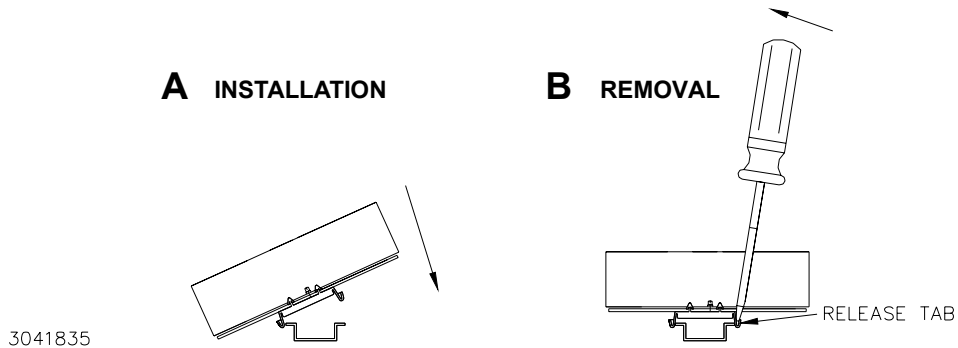


FIGURE 4. INSTALLATION AND REMOVAL OF POWER SUPPLY FROM DIN RAIL

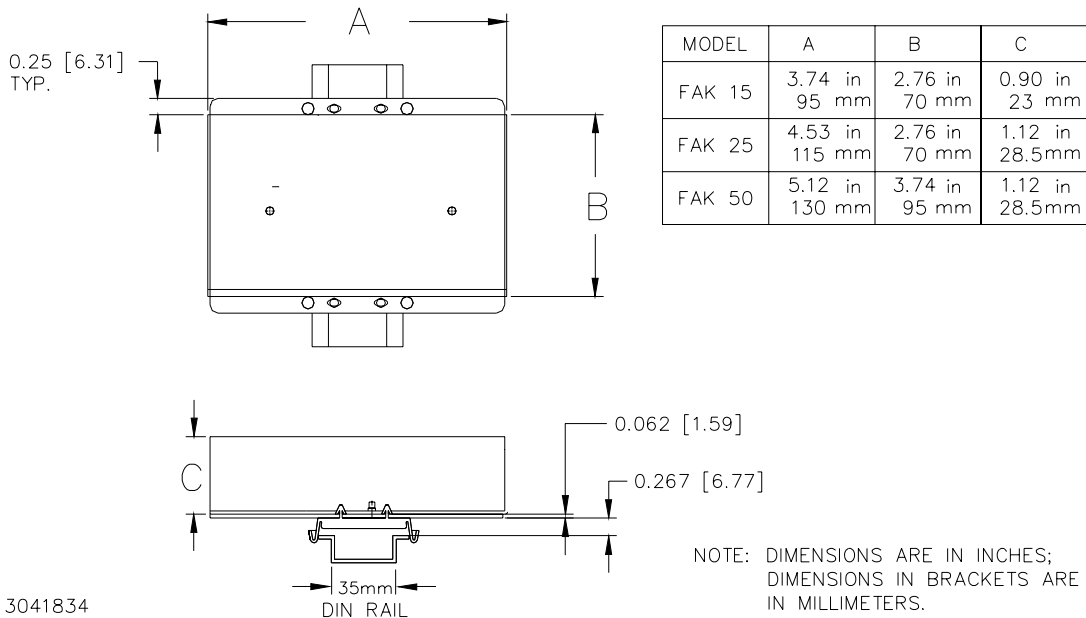


FIGURE 5. POWER SUPPLY WITH KIT INSTALLED, OUTLINE DIMENSIONS