

INSTRUCTION SHEET



KEPCO An ISO 9001 Company.

RAB39-40X

MOUNTING BRACKETS

DESCRIPTION

The Kepco Model RAB 39-40X consists of two brackets and mounting hardware. It is used as an installation aid to mount Kepco ERX 30, 60 120W and ERD 30, 60, 150W switching power supplies into Kepco Model RA 39 and Ra 40 Rack Adapters. For installation instructions, refer to the applicable Rack-Adapter Instruction Sheet. The Mechanical Outline of the Model RAB 39-40X is shown in Figure 1.

The RAB 39-40X Mounting Brackets can be used in conjunction with the optional Kepco ADP 40-ERD Adapter Plate to facilitate mounting ERD 30, 60 and 150W Power Supplies in RA 39 and RA 40 Rack Adapters. The ADP 40-ERD Adapter Plate should be ordered together with the RAB 39-40X Mounting Brackets for this purpose. For details regarding the ADP 40-ERD Adapter Plate, see Kepco Instruction Sheet P/N 228-1105.

PARTS LIST

- (2) Brackets
- (4) Speed Nuts (installed on brackets), No. 6-32

KEPCO P/N
128-1545
102-0097

HARDWARE TO MOUNT RAB 39-40X MOUNTING BRACKETS TO RA 39 OR RA 40 RACK ADAPTERS

- (4) Machine Screws, 6-32 X 1/2
- (4) Flat Washers, No. 6
- (4) Int. Lock Washers, No. 6

101-0343
103-0028
103-0015

HARDWARE TO MOUNT RAB 39-40X MOUNTING BRACKETS TO THE ADP 40-ERD ADAPTER PLATE

- (4) Machine Screws, 8-32 X 1/2 Truss Head, Phillips Screws
- (4) Int. Lock Washers, No. 8
- (4) Hex. Nuts, No. 8

101-0214
103-0017
102-0006

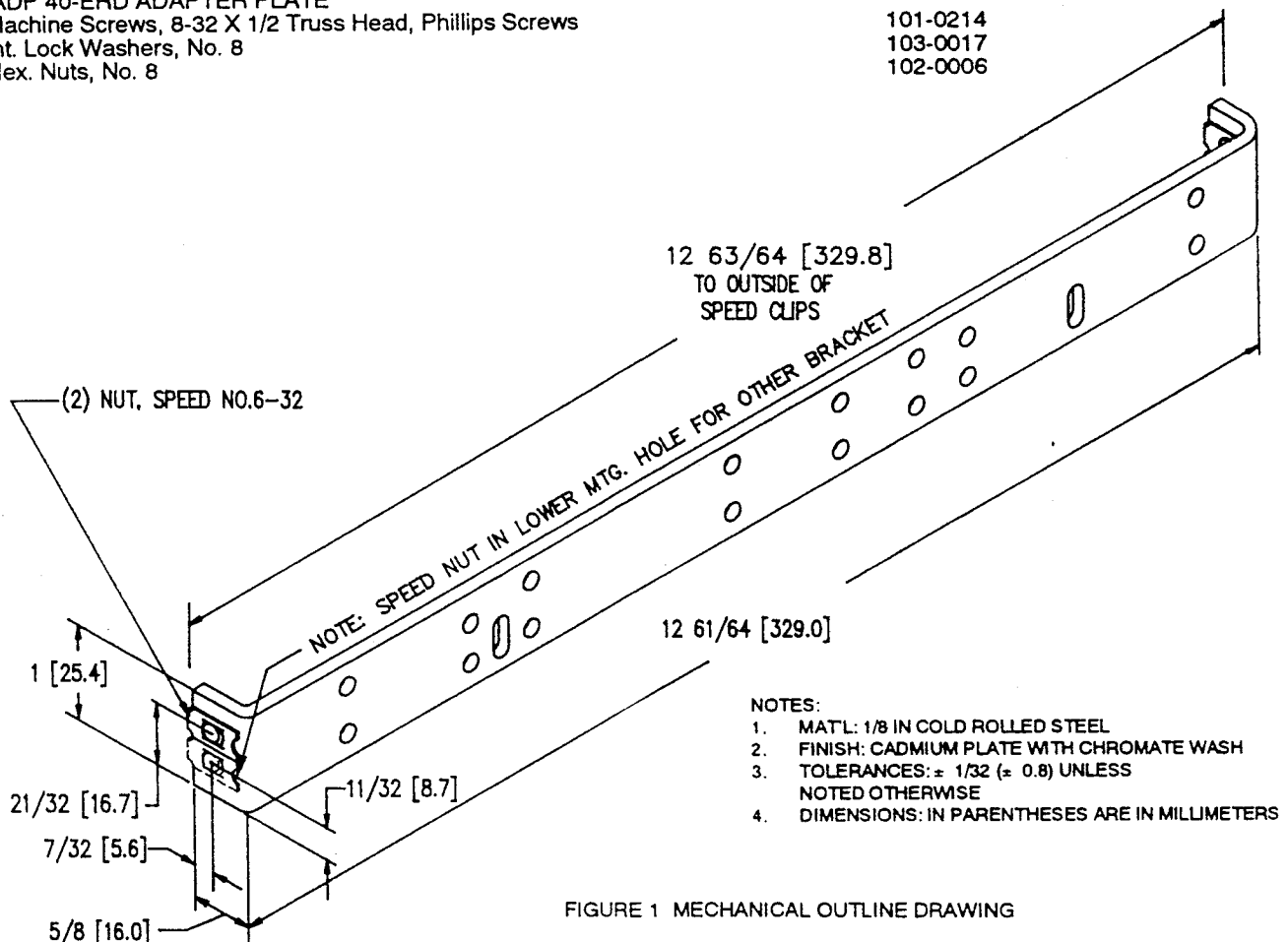


FIGURE 1 MECHANICAL OUTLINE DRAWING