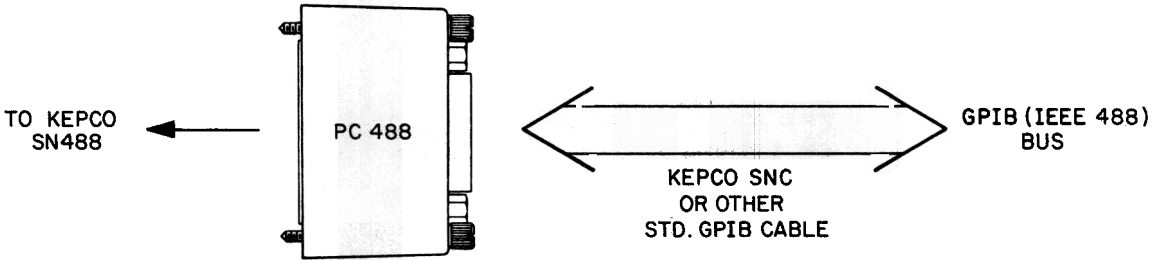


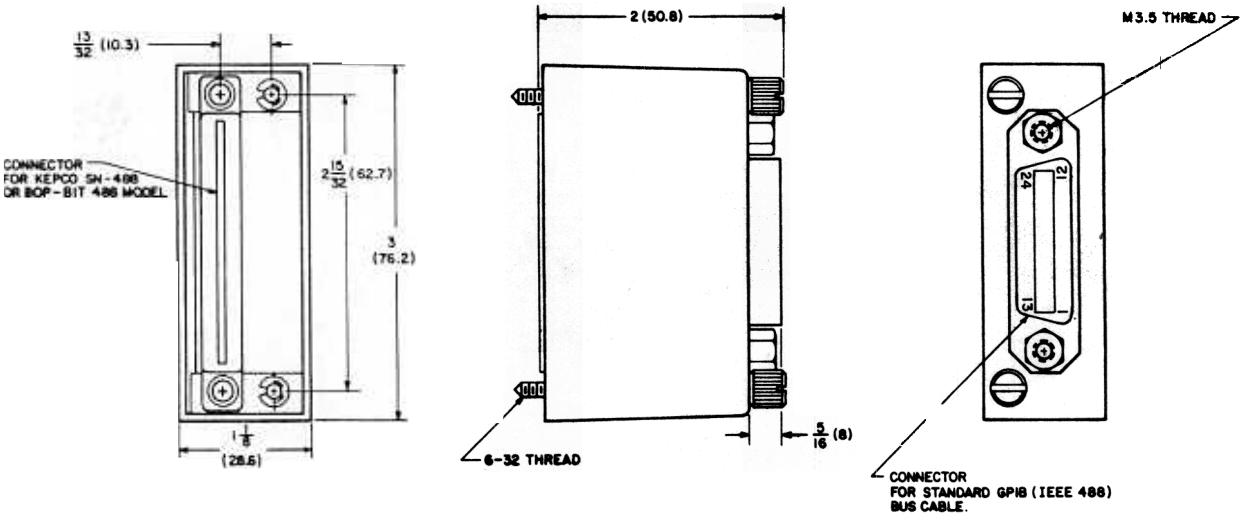
MODEL PC 488 CONNECTOR

GENERAL

The Kepco Model PC 488 Connector is used with Kepco SN-488 1/4 Rack Digital Programmers and BOP Models with built-in BIT-488 cards and provides the interface between these models and any one of Kepco's SNC standard GPIB (IEEE 488) bus cables, or any other standard GPIB bus cable.



MODEL PC 488 CONNECTOR AS THE INTERFACE BETWEEN SN 488 DIGITAL PROGRAMMER AND THE GPIB (IEEE 488) BUS.



MECHANICAL OUTLINE, MODEL PC 488

NOTE: Dimensions are in inches (millimeters) and given for reference only.