

INSTRUCTION MANUAL



KEPCO

ENCLOSURES AND HARDWARE SYSTEMS

RA 35-1
RA 33-3
RA 34-4

RACK ADAPTERS

DESCRIPTION

The Kepco Models RA 35-1, RA 33-3, and RA 34-4 Rack Adapters are designed for the installation of Kepco PTR and OPS GROUP III Power Supplies into a standard 19-inch rack. The rack adapters are constructed as a single panel with (removable) handles, (4) elongated rack installation holes (standard 2¼-inch hole distance) and predrilled holes for equipment mounting. An attached polyethylene bag contains the necessary mounting hardware. Refer to FIGS. 1 to 3 and to Table 1 for mounting instructions.

MODEL	CAPACITY	DIMENSIONS	
		HEIGHT	WIDTH
RA 35-1	1 UNIT	3½" (8.89 cm)	19" (48.26 cm)
RA 33-3	3 UNITS	3½" (8.89 cm)	19" (48.26 cm)
RA 34-4	4 UNITS	5¼" (13.34 cm)	19" (48.26 cm)

TABLE 1 PTR/OPS III RACK ADAPTERS.

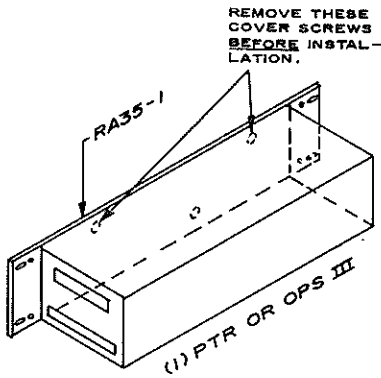


FIG. 1 MODEL RA 35-1 RACK ADAPTER.

NOTE: Remove (2) cover-holding screws *before* mounting unit. Unit is mounted with terminations facing *right*, as viewed from the front of the adapter.

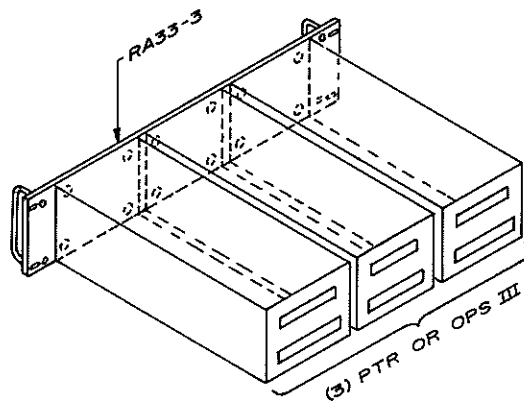


FIG. 2. MODEL RA 33-3 RACK ADAPTER.

NOTE: Mounting holes are offset from center of rack adapter. Mount units such that the chassis does not extend beyond the height of the rack adapter.

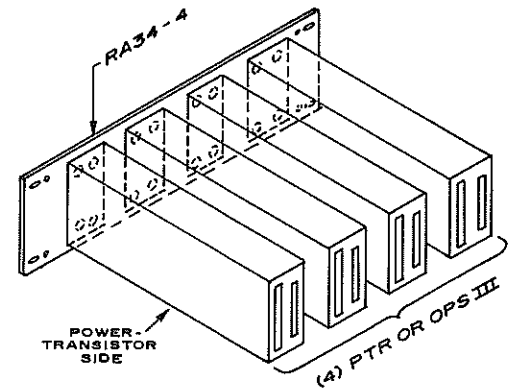


FIG. 3 MODEL RA 34-4 RACK ADAPTER.

NOTE: Mounts units such that the chassis side containing the power transistors faces to the *right side*, as viewed from the front of the rack adapter.