

# INSTRUCTION MANUAL

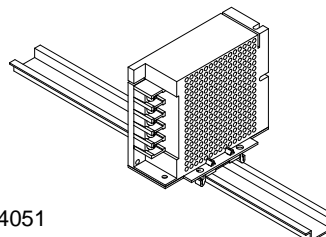


**KEPCO** An ISO 9001 Company.

**KIT  
DIN GE  
-35/50VS**

## DIN-RAIL MOUNTING KIT FOR SERIES GE-35VS, GE-50VS

**DESCRIPTION.** Kepco KITS, Models DIN GE-35VS and GE-50VS each contain two mounting clips and associated hardware used to install GE-35 and GE-50 Series power supplies on a DIN rail. The “VS” suffix is for mounting vertically along the short dimension (width) as shown in Figure 1. Outline dimensions are shown in Figure 4.



3044051

FIGURE 1. VS SUFFIX ORIENTATION

TABLE 1. COMPONENTS SUPPLIED

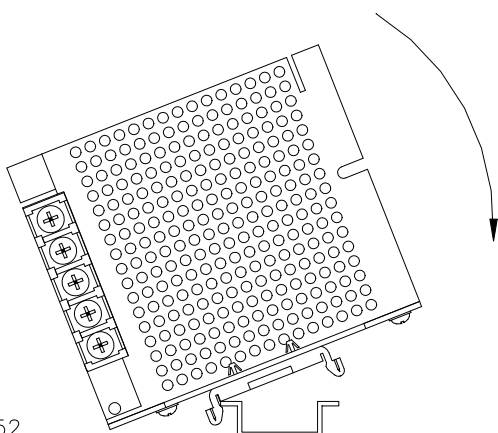
KIT MODEL NO.	MOUNTING PLATE (QTY 1) PART NO.	CLIP (QTY 2) PART NO.	FLAT WASHER (QTY 2) PART NO.	SCREW (QTY 2) PART NO.
DIN GE-35VS DIN GE-50VS	189-0919	108-0365	103-0014 (NO. 4)	101-0434 (M3 x 8, RNPH)

**INSTALLING KIT.** Attach the mounting plate to the power supply using the hardware supplied (see Figure 3). Then snap the clips into the mounting plate as shown in Figure 3.

**INSTALLING POWER SUPPLY ON DIN RAIL.** To mount the power supply on the rail insert one end of both clips under one edge of the rail, then snap the other end of the two clips into place (see Figure 2A).

**REMOVING POWER SUPPLY FROM DIN RAIL.** While grasping the power supply with one hand, use a screwdriver to apply leverage towards the left as shown in Figure 2B to disengage each clip from the rail. Where mounting clips are close together, it may be necessary to apply leverage with two screwdrivers simultaneously.

A — INSTALLATION



3044052

B — REMOVAL

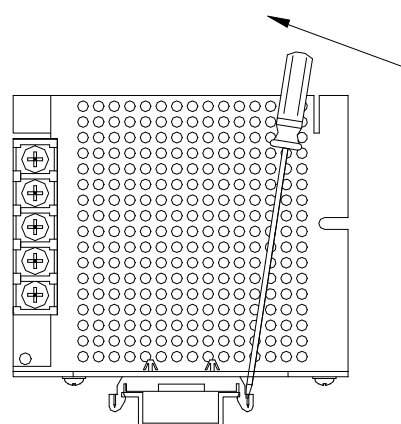
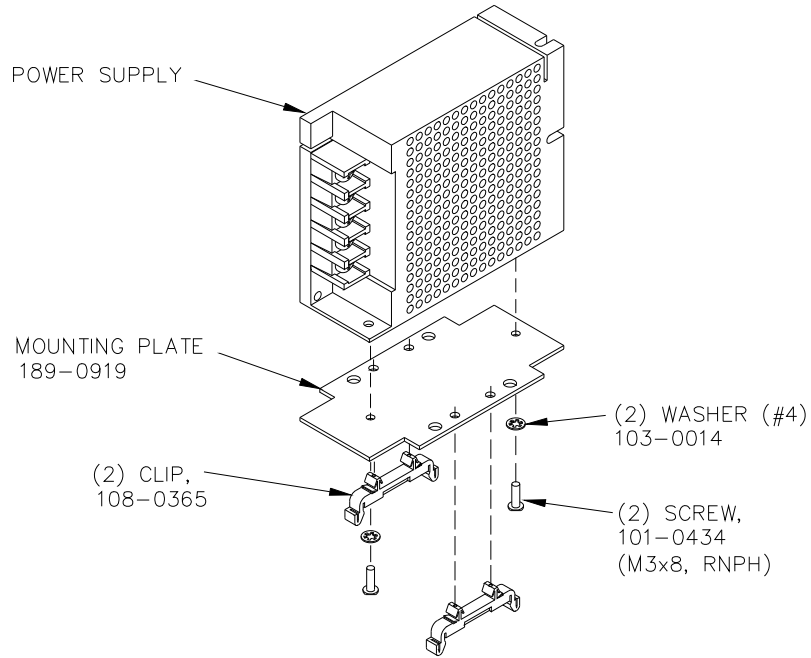


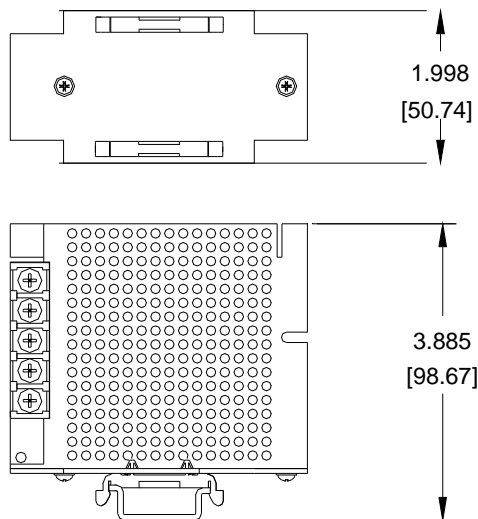
FIGURE 2. INSTALLATION AND REMOVAL OF POWER SUPPLY FROM DIN RAIL

KEPCO, INC. ● 131-38 SANFORD AVENUE ● FLUSHING, NY. 11355 U.S.A. ● TEL (718) 461-7000 ● FAX (718) 767-1102  
<http://www.kepcopower.com> ● email: [hq@kepcopower.com](mailto:hq@kepcopower.com)



3044053

**FIGURE 3. INSTALLATION OF KIT ON POWER SUPPLY**



3044054

**FIGURE 4. POWER SUPPLY WITH KIT INSTALLED, OUTLINE DIMENSIONS**