

INSTRUCTION MANUAL

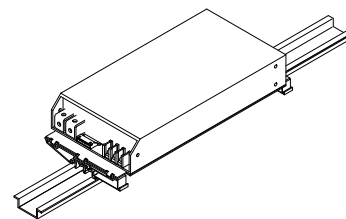


KEPCO An ISO 9001 Company.

**KIT
DIN AK
-650L**

DIN-RAIL MOUNTING KIT FOR SERIES AK-650

DESCRIPTION. Kepco KIT, Model DIN AK-650L contains two mounting clips preassembled to a mounting plate and associated hardware used to install AK-650 Series power supplies on a DIN rail. The -650 suffix is for the 650 Watt Series. The "L" suffix is for mounting along the long dimension (length) as shown in Figure 1. Outline dimensions are shown in Figure 4.



3043914

FIGURE 1. L SUFFIX ORIENTATION

TABLE 1. COMPONENTS SUPPLIED

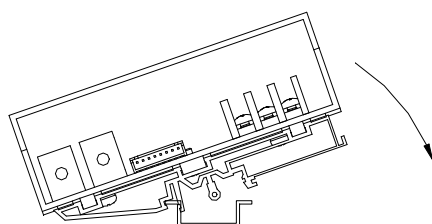
KIT MODEL NO.	MOUNTING PLATE PART NO.	CLIP (QTY 2) PART NO.	SCREW, SEMS (QTY 3) PART NO.	SCREW (QTY 2) PART NO.	WASHER, FLAT (QTY 2) PART NO.	WASHER, LOCK (QTY 2) PART NO.	NUT (QTY 2) PART NO.
DIN AK-650L	128-2459	108-0362	501-0080 (M4 X 6 PHPH)	101-0408 (6-32 X 5/16, FLPO)	103-0028 (NO. 6.)	103-0015 (NO. 6, INT. TOOTH)	102-0004 (6-32 x 1/4, ACF)

INSTALLING KIT. Attach the preassembled mounting plate with clips to the power supply using the hardware supplied (see Figure 3).

INSTALLING POWER SUPPLY ON DIN RAIL. To mount the power supply on the rail insert one end of both clips under one edge of the rail, then snap the other end of the two clips into place (see Figure 2A).

REMOVING POWER SUPPLY FROM DIN RAIL. While grasping the power supply with one hand, use a screwdriver to apply leverage towards the left as shown in Figure 2B to disengage each clip from the rail. Where mounting clips are close together, it may be necessary to apply leverage with two screwdrivers simultaneously.

A — INSTALLATION



3043916

B — REMOVAL

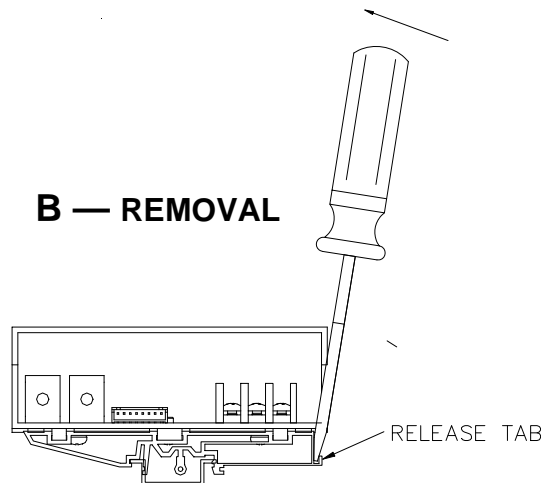
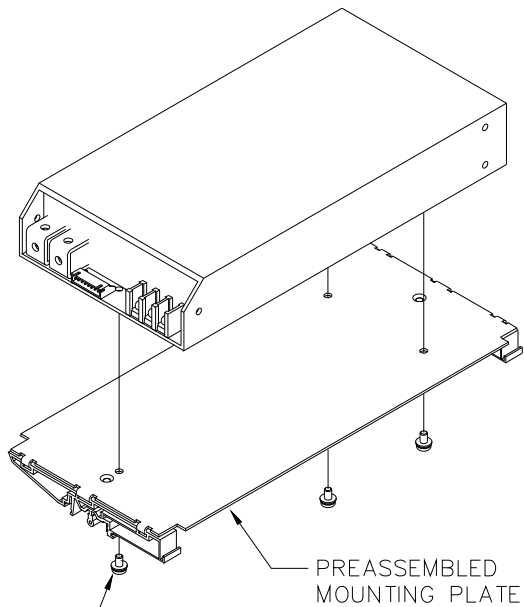


FIGURE 2. INSTALLATION AND REMOVAL OF POWER SUPPLY FROM DIN RAIL

KEPCO, INC. ● 131-38 SANFORD AVENUE ● FLUSHING, NY. 11355 U.S.A. ● TEL (718) 461-7000 ● FAX (718) 767-1102
<http://www.kepcopower.com> ● email: hq@kepcopower.com

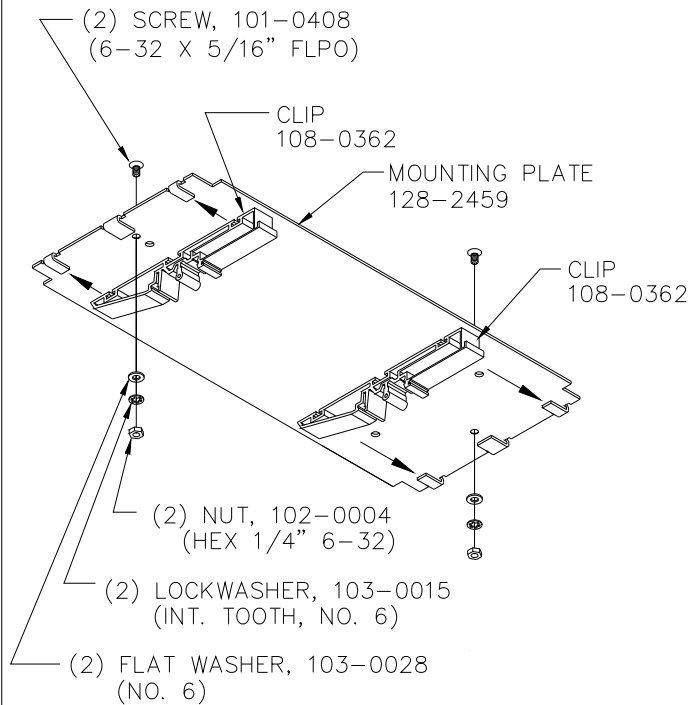


(3) SCREW, SEMS, 501-0080
(M4 x 6, PHPH)

3043915

ASSEMBLY OF MOUNTING CLIPS REQUIRED ONLY WHEN INSTALLING REPLACEMENT PARTS.

AFTER CLIP IS FLUSH WITH MOUNTING PLATE, INSTALL SCREWS, WASHERS AND NUTS AS SHOWN TO PREVENT SLIPPAGE.



(2) SCREW, 101-0408
(6-32 X 5/16" FLPO)

CLIP
108-0362

MOUNTING PLATE
128-2459

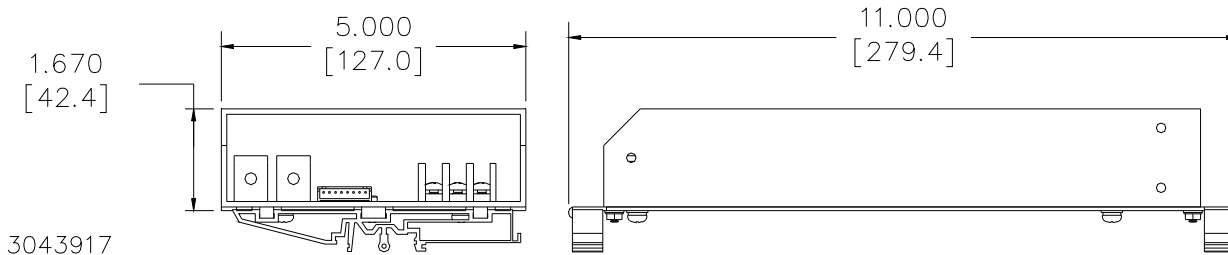
CLIP
108-0362

(2) NUT, 102-0004
(HEX 1/4" 6-32)

(2) LOCKWASHER, 103-0015
(INT. TOOTH, NO. 6)

(2) FLAT WASHER, 103-0028
(NO. 6)

FIGURE 3. INSTALLATION OF KIT ON AK POWER SUPPLY



3043917

FIGURE 4. AK-650 POWER SUPPLY WITH KIT INSTALLED, OUTLINE DIMENSIONS