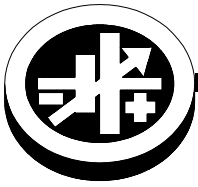


INSTRUCTION SHEET



KEPCO An ISO 9001 Company.

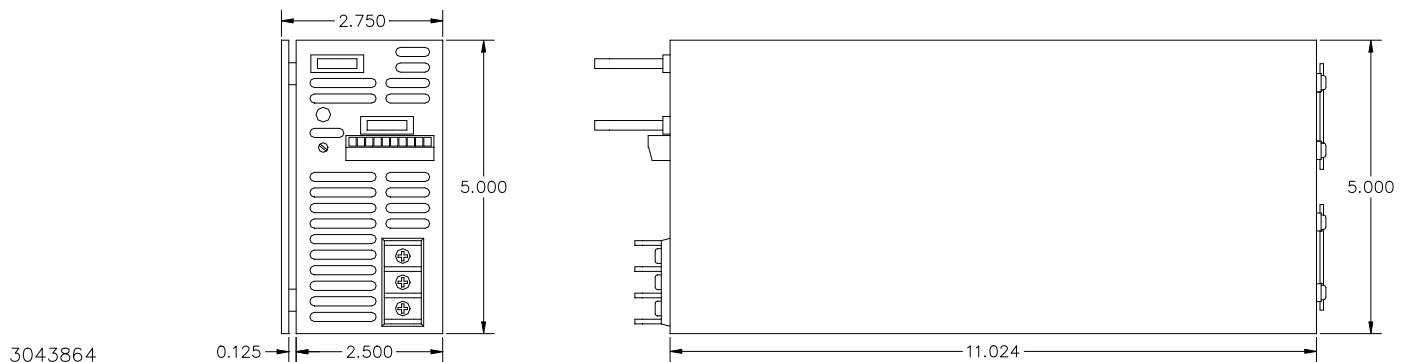
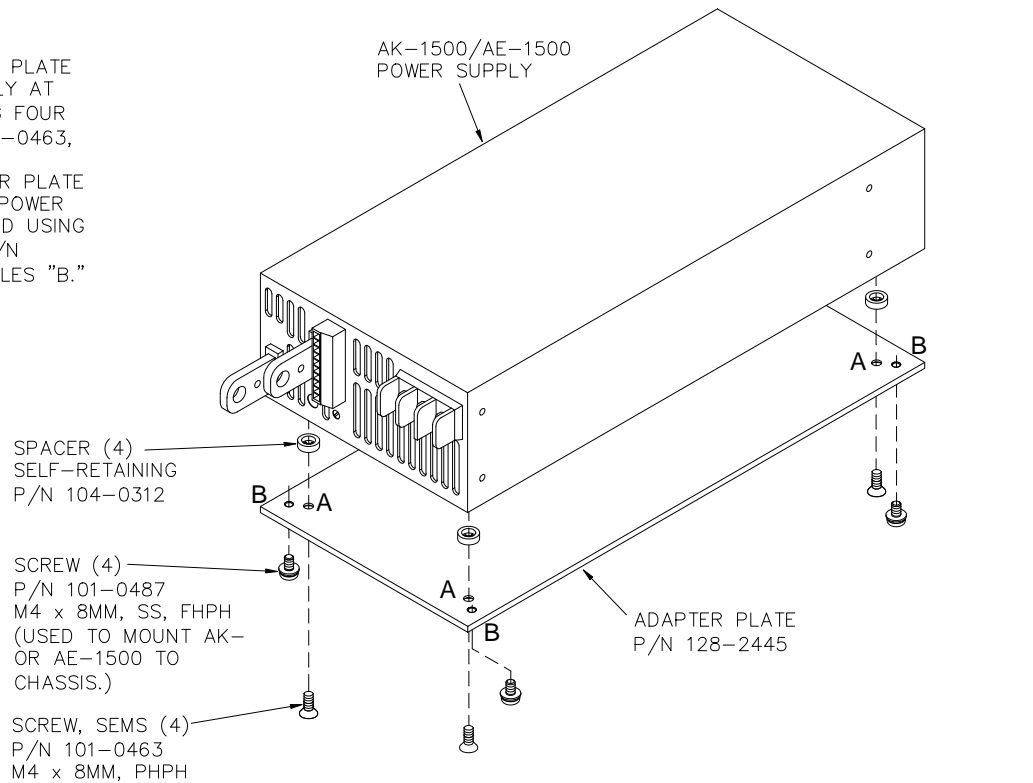
**MA
HWS/AK/AE
1500H**

MOUNTING ADAPTER HWS/AK/AE/ 1500H

DESCRIPTION. The Model MA HWS/AK/AE 1500H Mounting Adapter includes an adapter plate and mounting screws that allow either a 1500W AK or AE power supply to be easily substituted for a horizontally-mounted 1500W HWS power supply. Mount the adapter plate to the AK or AE power supply using the screws provided (see Figure 1), then install the adapter plate in place of the HWS power supply using the screws provided.

NOTES:

1. MOUNT ADAPTER PLATE TO POWER SUPPLY AT HOLES "A" USING FOUR SCREWS P/N 101-0463,
2. INSTALL ADAPTER PLATE WITH AK OR AE POWER SUPPLY ATTACHED USING FOUR SCREWS P/N 101-0487 AT HOLES "B."



3043864

FIGURE 1. ADAPTER PLATE INSTALLATION

KEPCO, INC. ● 131-38 SANFORD AVENUE ● FLUSHING, NY. 11355 U.S.A. ● TEL (718) 461-7000 ● FAX (718) 767-1102
<http://www.kepcopower.com> ● email: hq@kepcopower.com